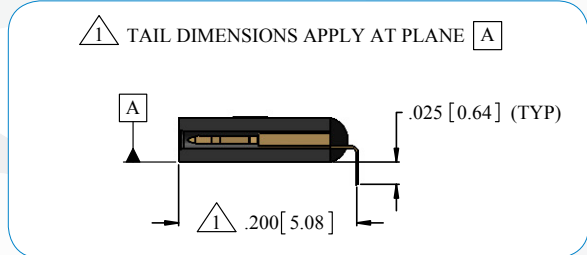
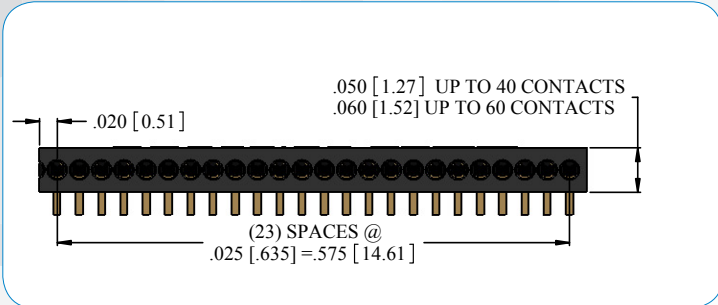
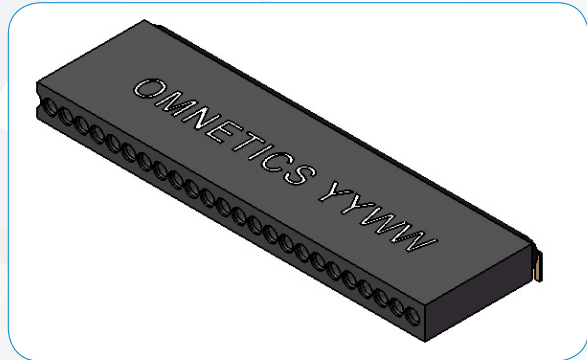
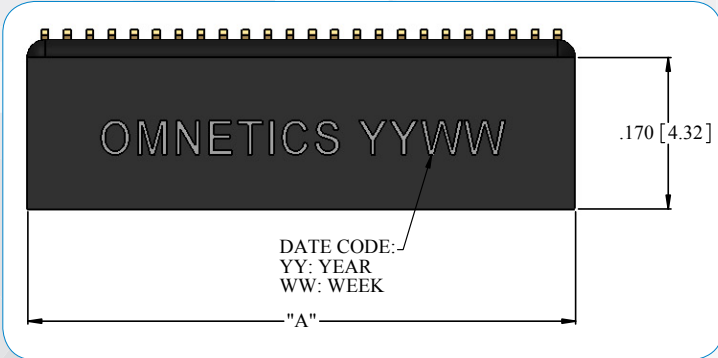
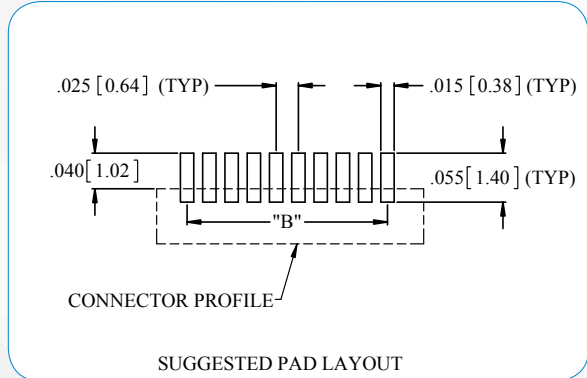
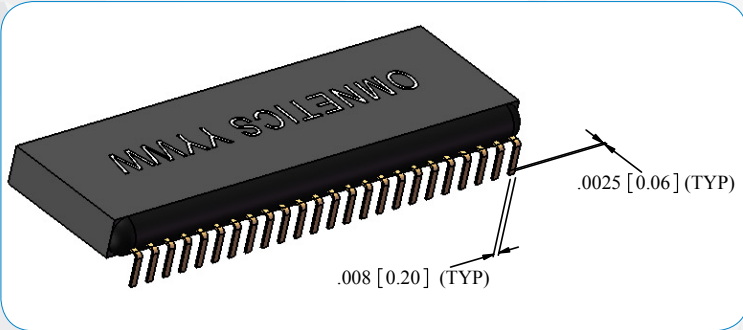


Single Row Nano Strip

NPS-VV LAYOUT



102

DIMENSIONS FOR "A"

To determine connector length "A":

Add the total number of contacts	_____
Add 1 contact cavity for each guide post hole	_____
Add 3 contact cavities for each mounting hole	_____
Total contact cavities	_____
Multiply the number of contact cavities minus 1 by .025"	_____
Add fixed end length constant	.040"
Total Length (Dimension A)	_____

Notes: Maximum length @ .050" thick = 1.015" (25.78). Maximum number of contact cavities is 60. Maximum length @ .060" thick = 1.515" (38.48). Number of contacts must be reduced to accommodate guide post holes and mounting holes. Default locations for guide post holes may be changed by customer.

DIMENSIONS FOR "B"

To determine pad pattern layout length "B":

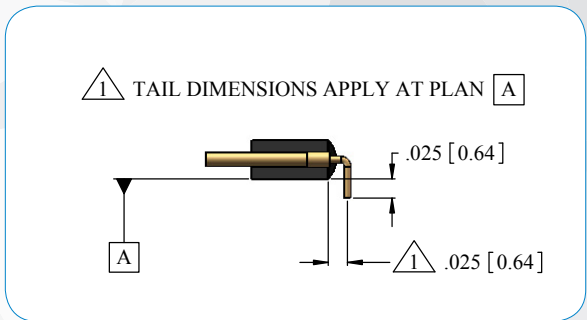
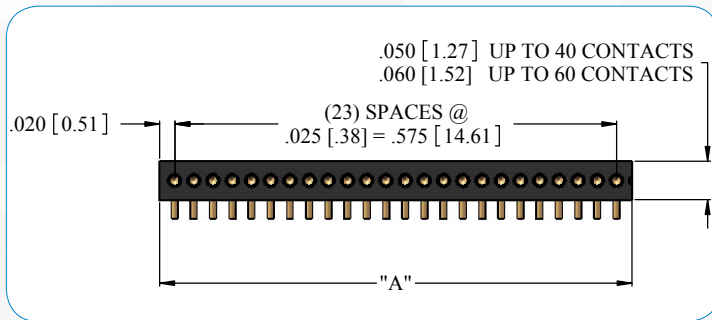
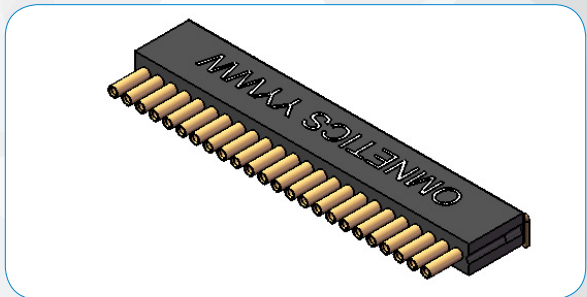
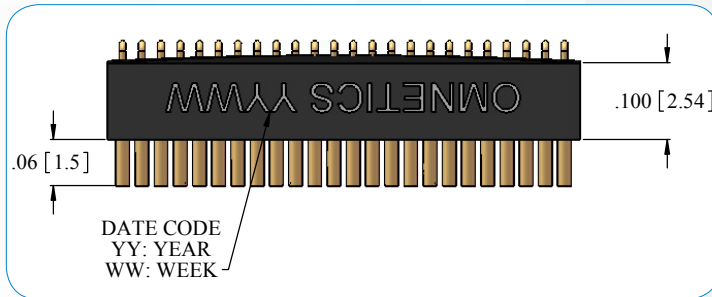
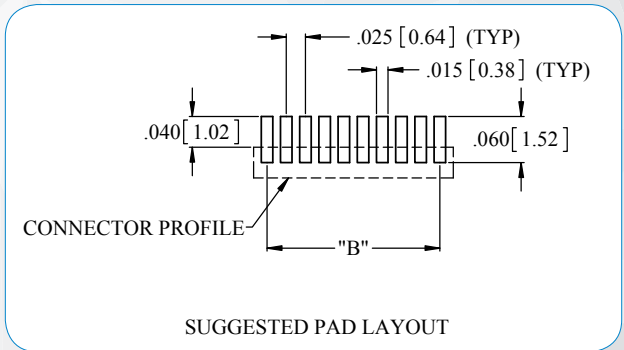
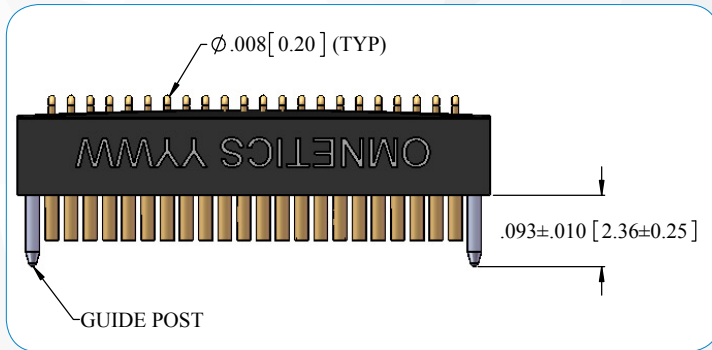
Multiply the number of contact cavities minus 1 by .025"	_____
If hardware features are within the contact area:	
Add .025" (1 contact cavity) for each guide post hole	_____
Add .075" (3 contact cavities) for each mounting hole	_____
Total Length (Dimension B)	_____

Notes: Maximum pattern length @ .050" thick is .975" (24.76). Maximum pattern length @ .060" thick is 1.475" (37.46). Add .050" from center of mounting hole to first pad (if the first contact cavity is used for a guide post hole, .050" dimension must be adjusted).

Dimensions in [] are in Millimeters unless otherwise noted and are for reference only.

Single Row Nano Strip

NSS-VV LAYOUT



DIMENSIONS FOR "A"

To determine connector length "A":

Add the total number of contacts	_____
Add 1 contact cavity for each guide post hole	_____
Add 3 contact cavities for each mounting hole	_____
Total contact cavities	_____
Multiply the number of contact cavities minus 1 by .025"	_____
Add fixed end length constant	.040"
Total Length (Dimension A)	_____

Notes: Maximum length @ .050" thick = 1.015" (25.78). Maximum number of contact cavities is 60. Maximum length @ .060" thick = 1.515" (38.48). Number of contacts must be reduced to accommodate guide post holes and mounting holes. Default locations for guide post holes may be changed by customer.

DIMENSIONS FOR "B"

To determine pad pattern layout length "B":

Multiply the number of contact cavities minus 1 by .025"	_____
If hardware features are within the contact area:	_____
Add .025" (1 contact cavity) for each guide post hole	_____
Total Length (Dimension B)	_____

Notes: Maximum pattern length @ .050" thick is .975" (24.76). Maximum pattern length @ .060" thick is 1.475" (37.46).

Dimensions in [] are in Millimeters unless otherwise noted and are for reference only.