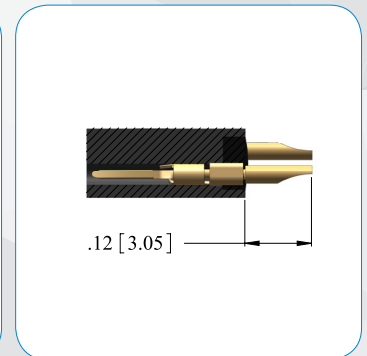
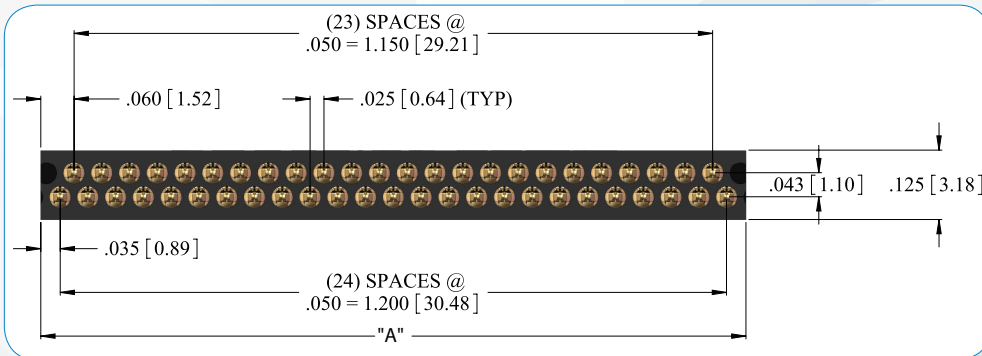
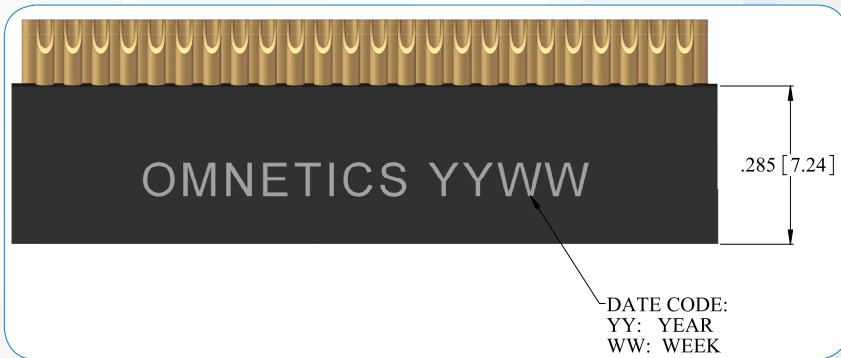
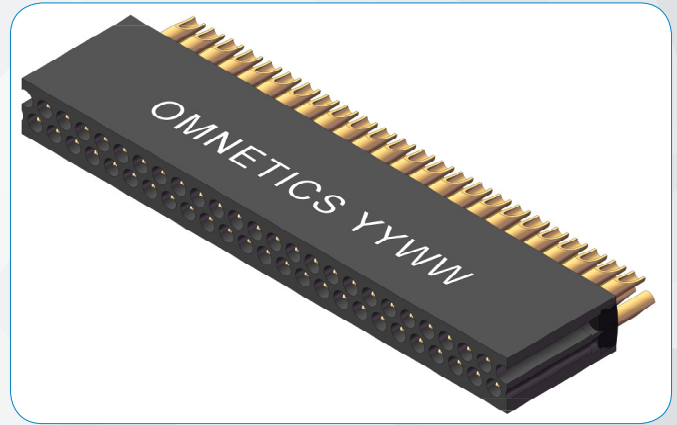
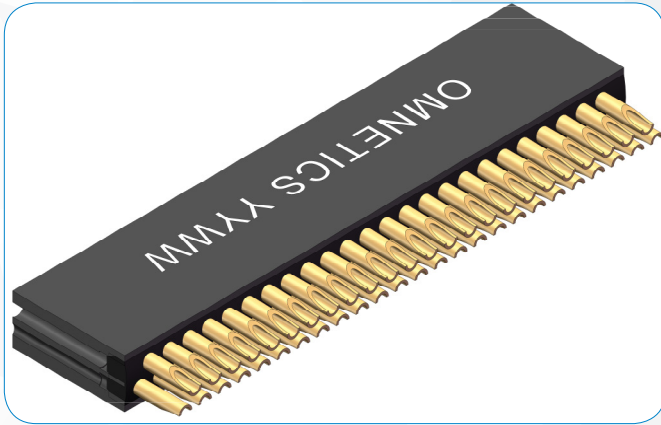


# Dual Row Offset Micro Strip

## PSM-SS LAYOUT



### DIMENSIONS FOR "A"

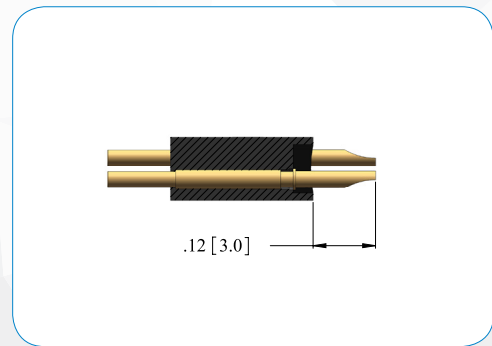
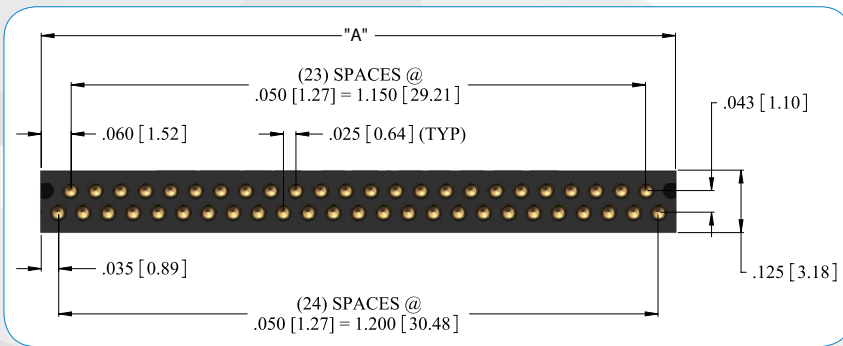
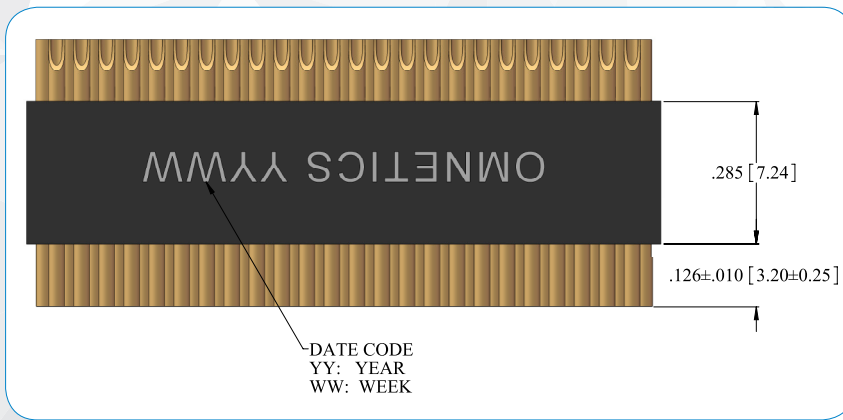
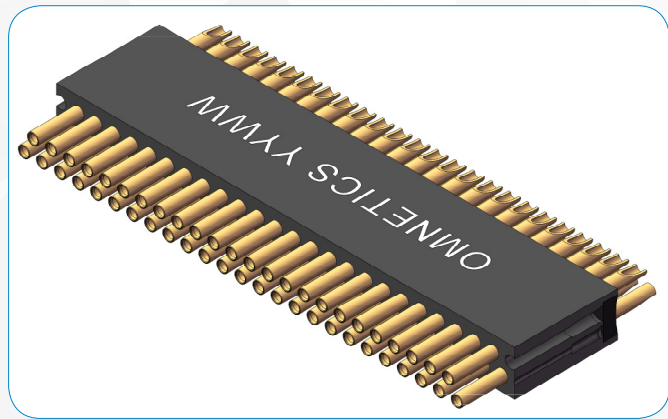
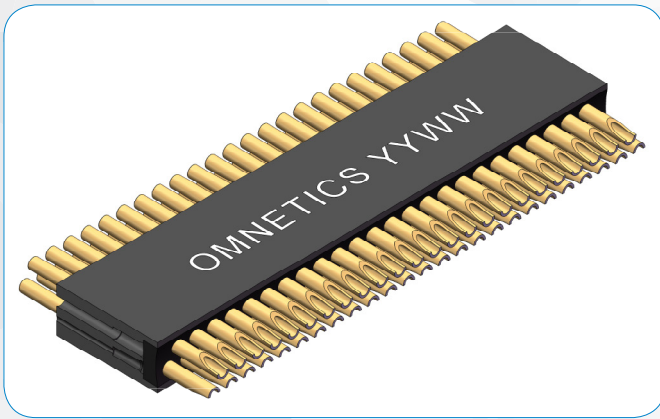
To determine connector length "A":

Add the total number of contacts	_____
Add 1 contact cavity for each latch	_____
Add 1 contact cavity for each guide post hole	_____
Total contact cavities	_____
Subtract 1 from the total to get the number of cavity spaces and multiply by .025"	_____
Add .150" for each mounting hole	_____
Add fixed end length constant	0.070"*
Total Length (Dimension A):	_____

Notes: Maximum length 2.47" (62.74) without mounting holes. Maximum length 2.77" (70.36) with two end mounting holes. Maximum number of contact cavities is 97. Number of contacts must be reduced to accommodate hardware and mounting holes. \* Add 0.095" when an even number of contact cavities is used and the connector has mounting holes. Default locations for guide post holes and latches may be changed by customer. Dimensions in [ ] are in Millimeters unless otherwise noted and are for reference only.

# Dual Row Offset Micro Strip

## SSO-SS LAYOUT



### DIMENSIONS FOR "A"

To determine connector length "A":	
Add the total number of contacts	_____
Add 1 contact cavity for each latch	_____
Add 1 contact cavity for each guide post hole	_____
Total contact cavities	_____
Subtract 1 from the total to get the number of cavity spaces and multiply by .025"	_____
Add .150" for each mounting hole	_____
Add fixed end length constant	0.070"*
Total Length (Dimension A):	_____

Notes: Maximum length 2.47" (62.74) without mounting holes. Maximum length 2.77" (70.36) with two end mounting holes. Maximum number of contact cavities is 97. Number of contacts must be reduced to accommodate hardware and mounting holes. \* Add 0.095" when an even number of contact cavities is used and the connector has mounting holes. Default locations for guide post holes and latches may be changed by customer. Dimensions in [ ] are in Millimeters unless otherwise noted and are for reference only.