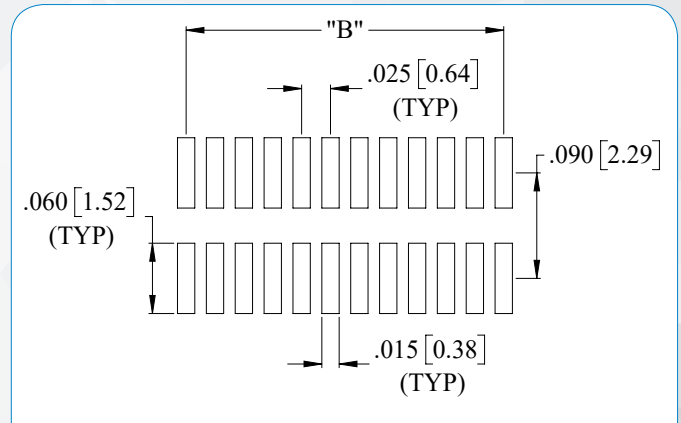
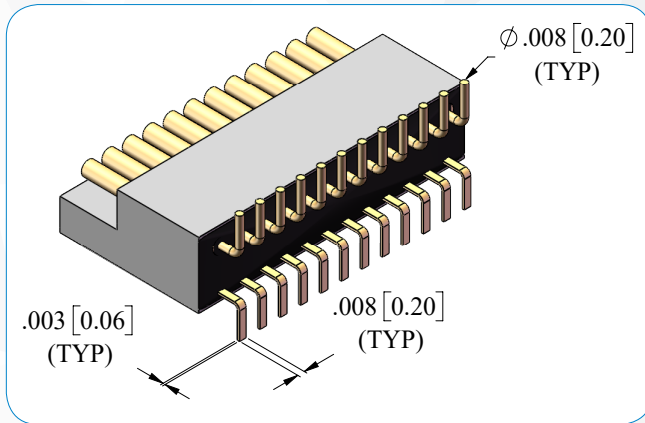
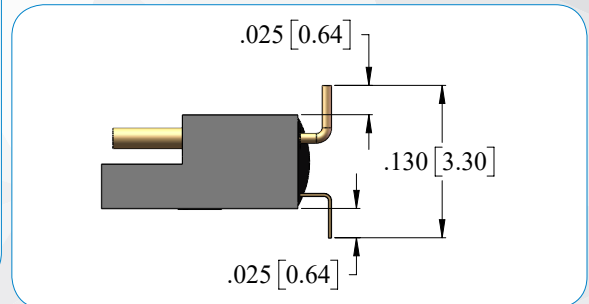
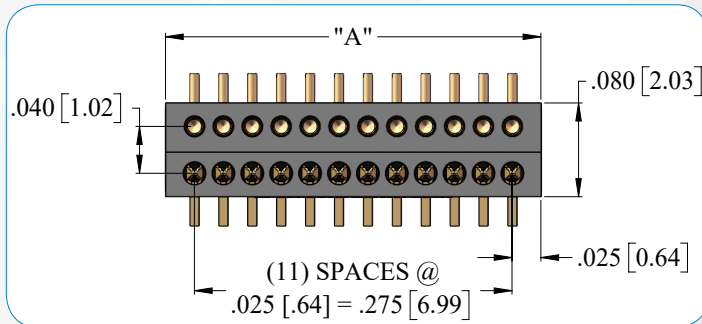
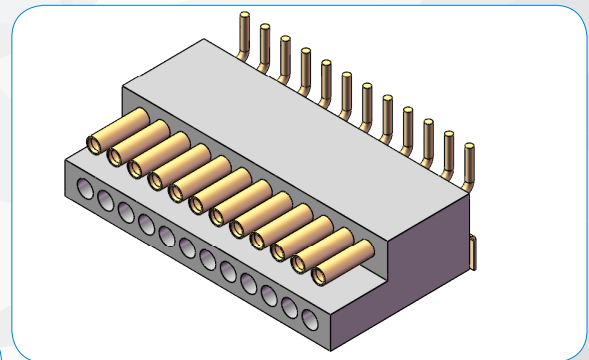
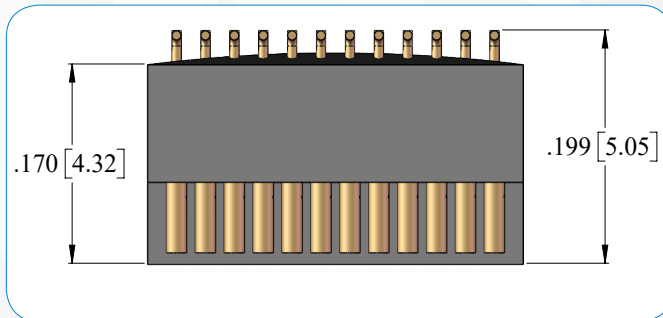


Polarized Nano

PZN-VV LAYOUT



SUGGESTED PAD LAYOUT



DIMENSIONS FOR "A"

To determine connector length "A":

Add the total number of contacts in one row	_____
Multiply the number of contact cavities minus 1 by .025"	_____
Add fixed end length constant	.050"
Total Length (Dimension A)	_____

Notes: Maximum length .325" [8.26].

Maximum number of contact cavities is 24

DIMENSIONS FOR "B"

To determine pad pattern layout length "B":

Multiply the number of contacts in one row minus 1 by .025"	_____
Total Length (Dimension B)	_____

Notes: Maximum length .275" [6.99].

Dimensions in [] are in Millimeters unless otherwise noted and are for reference only.