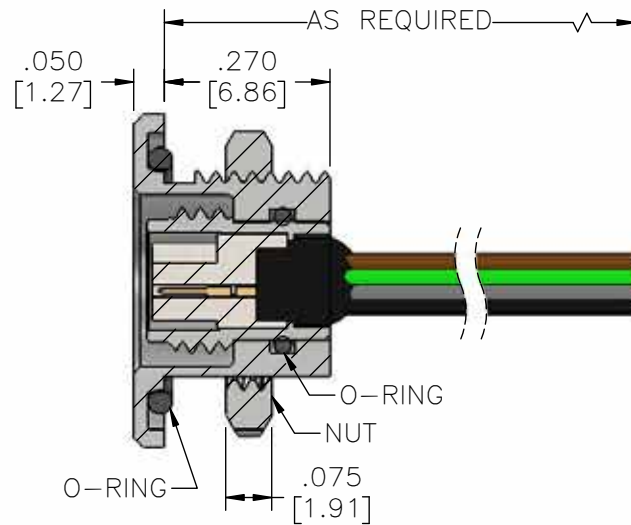
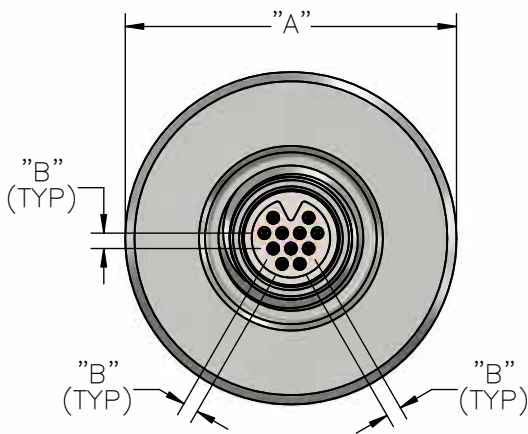
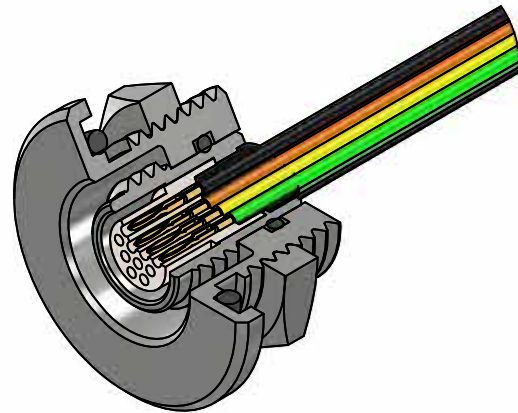


# Metal - Pin - Threaded - Wired - Front Panel - IP68

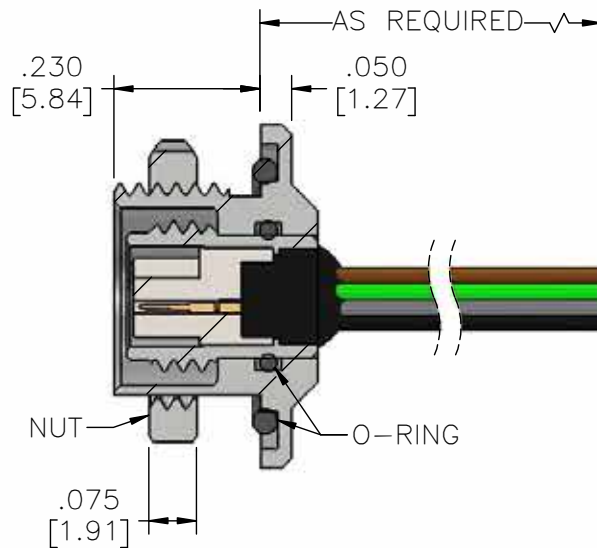
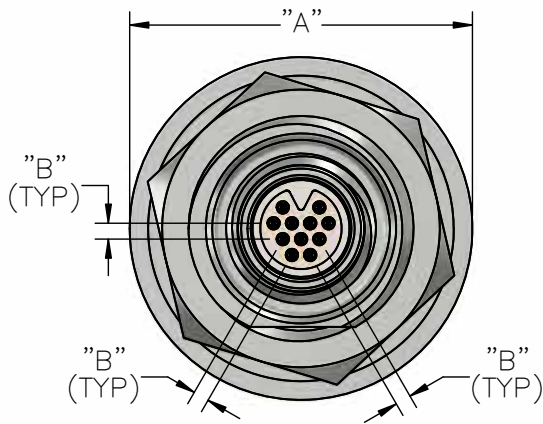
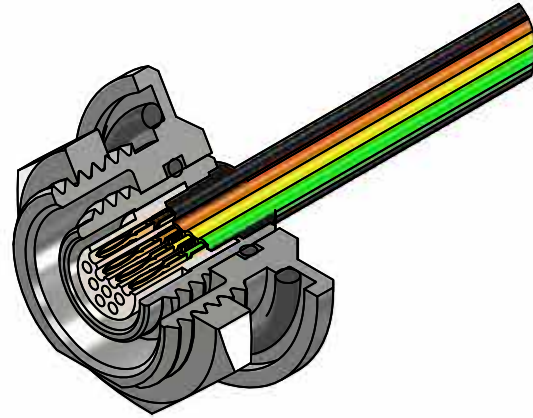
MNCP-WD-FP-IP68



| Part #     | Contacts | English (IN) |       | Metric (MM) |      |
|------------|----------|--------------|-------|-------------|------|
|            |          | A            | B     | A           | B    |
| A79280-001 | 6        | 0.495        | 0.025 | 12.57       | 0.64 |
| A79281-001 | 11       | 0.540        |       | 13.72       |      |
| A79282-001 | 16       | 0.580        |       | 14.73       |      |
| A79283-001 | 28       | 0.615        |       | 15.62       |      |
| A79484-001 | 39       | 0.735        | 0.030 | 18.67       | 0.76 |

# Metal - Pin - Threaded - Wired - Rear Panel - IP68

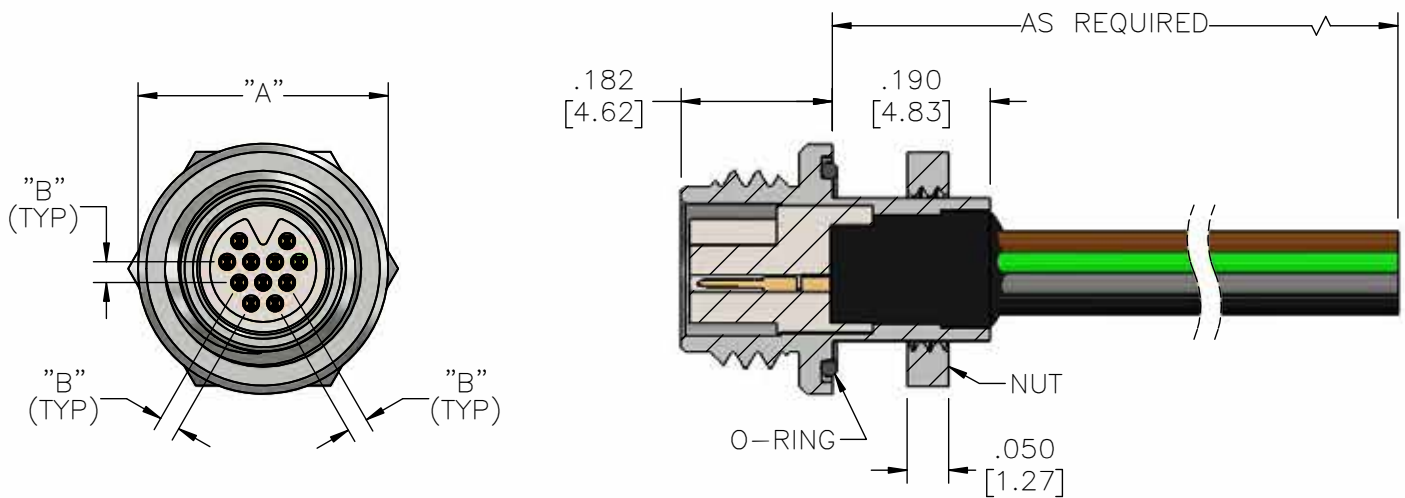
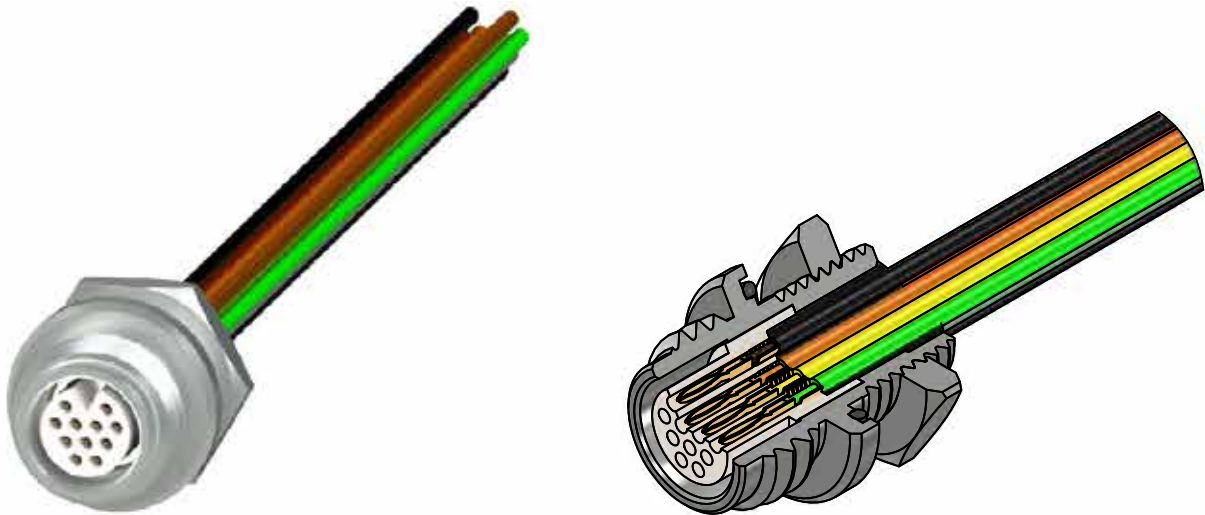
MNCP-WD-RP-IP68



| Part #     | Contacts | English (IN) |       | Metric (MM) |      |
|------------|----------|--------------|-------|-------------|------|
|            |          | A            | B     | A           | B    |
| A79284-001 | 6        | 0.495        | 0.025 | 12.57       | 0.64 |
| A79285-001 | 11       | 0.540        |       | 13.72       |      |
| A79286-001 | 16       | 0.580        |       | 14.73       |      |
| A79287-001 | 28       | 0.615        |       | 15.62       |      |
| A79485-001 | 39       | 0.735        | 0.030 | 18.67       | 0.76 |

# Metal - Pin - Threaded - Wired - Protruding Panel - IP68

MNCP-WD-PP-IP68



| Part #     | Contacts | English (IN) |       | Metric (MM) |      |
|------------|----------|--------------|-------|-------------|------|
|            |          | A            | B     | A           | B    |
| A79288-001 | 6        | 0.330        | 0.025 | 8.38        | 0.64 |
| A79289-001 | 11       | 0.400        |       | 10.16       |      |
| A79290-001 | 16       | 0.415        |       | 10.54       |      |
| A79291-001 | 28       | 0.460        |       | 11.68       |      |
| A79486-001 | 39       | 0.575        | 0.30  | 14.61       | 0.76 |