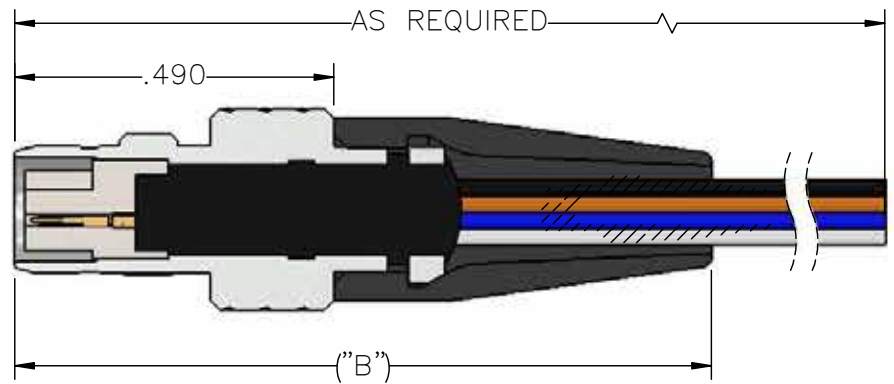
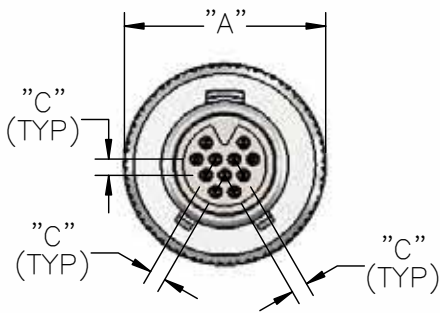
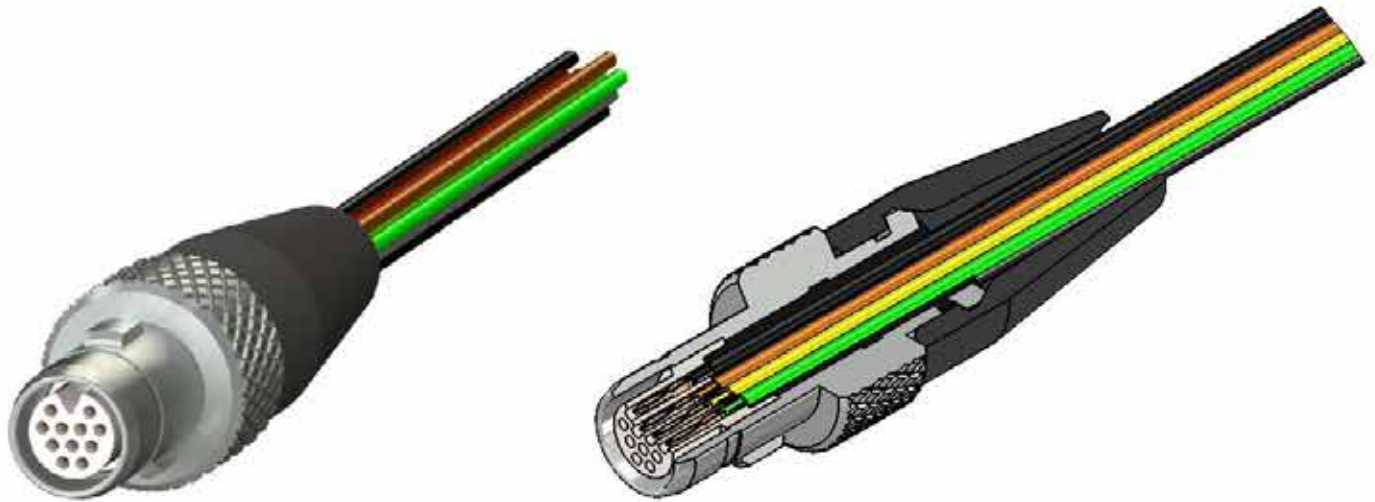


Metal - Pin - Keyed Break Away - Wired - Inline - Strain Relief

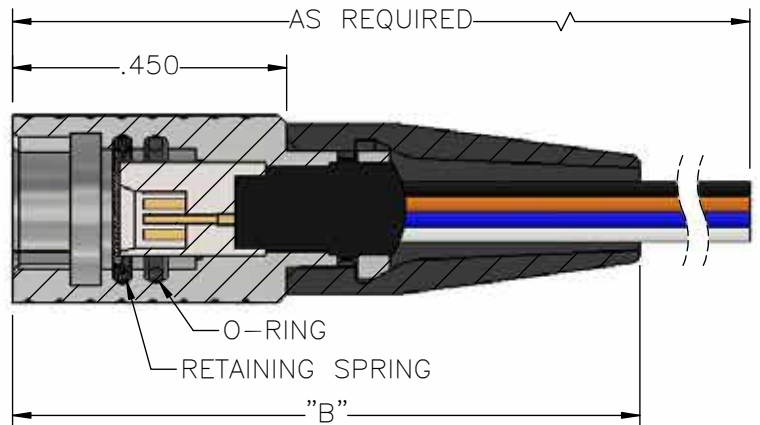
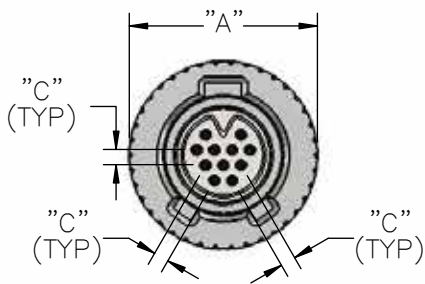
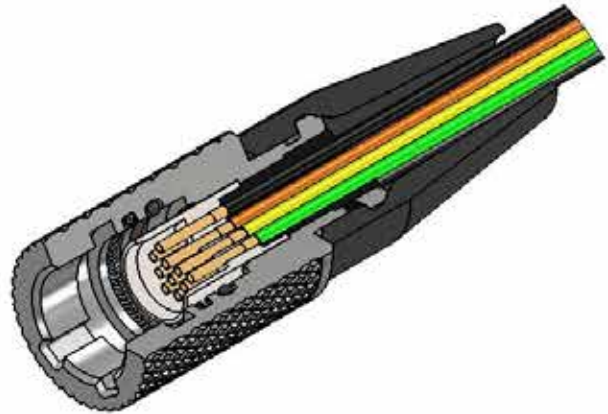
KBNP-WD-IS-SR



Part #	Contacts	English (IN)			Metric (MM)		
		A	B	C	A	B	C
A79424-001	6	0.28	1.000	0.025	7.11	25.40	0.64
A79433-001	11	0.31	1.100		7.87	27.94	
A79442-001	16	0.34	1.300		8.64	33.02	
A79451-001	28	0.39	1.500		9.91	38.10	
A79460-001	39	0.46	1.700	0.03	11.68	43.18	0.76

Metal - Socket - Keyed Break Away - Wired - Inline - Strain Relief

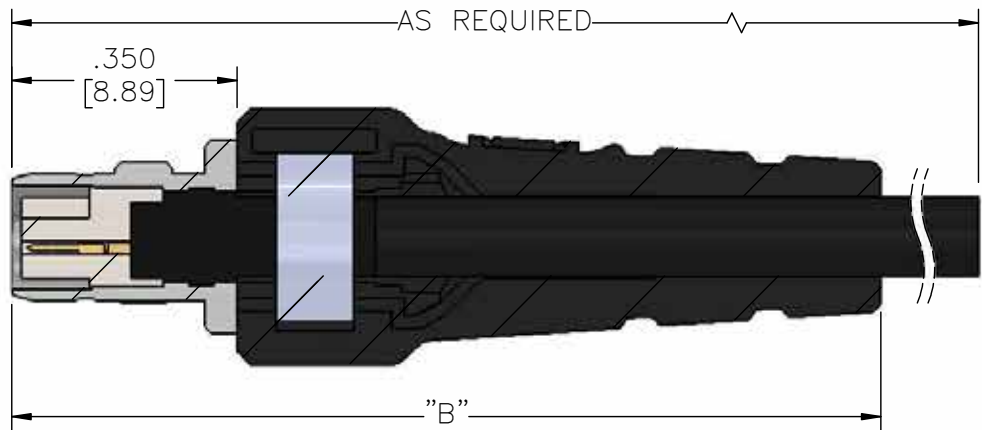
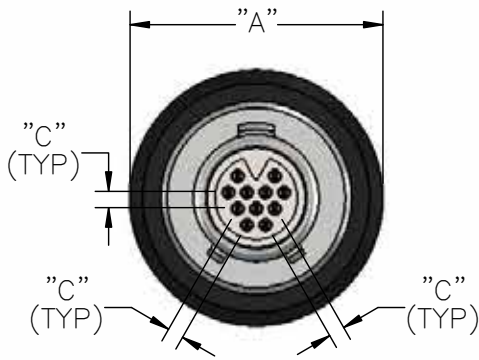
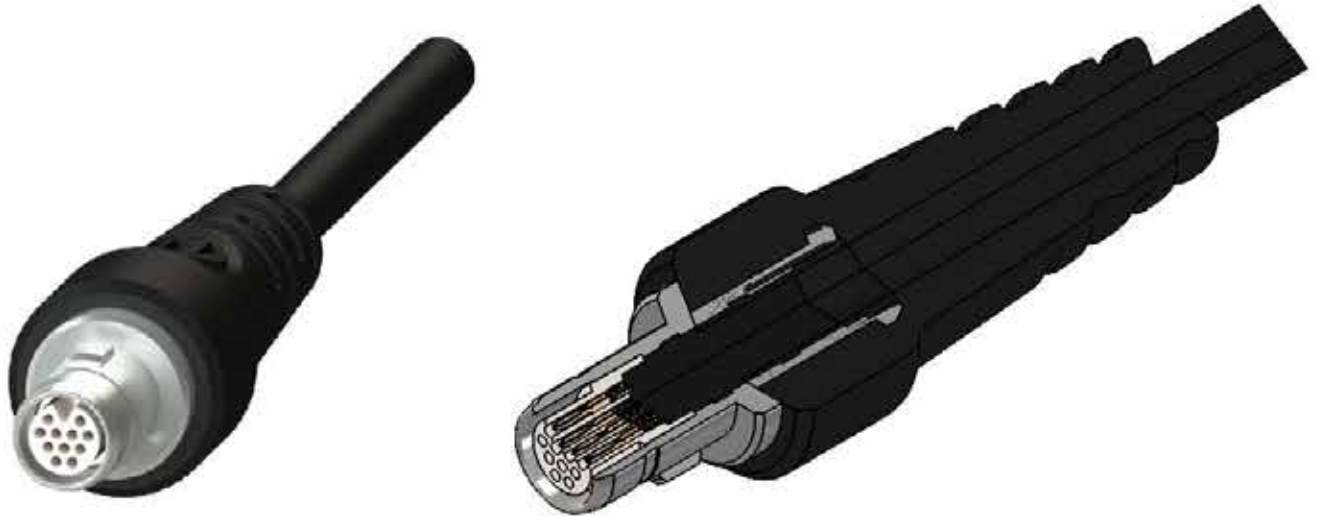
KBNS-WD-IS-SR



Part #	Contacts	English (IN)			Metric (MM)		
		A	B	C	A	B	C
A79420-001	6	0.28	1.000	0.025	7.11	25.40	0.64
A79429-001	11	0.31	1.030		7.87	26.16	
A79438-001	16	0.34	1.210		8.64	30.73	
A79447-001	28	0.39	1.500		9.91	38.10	
A79456-001	39	0.47	1.630	0.03	11.94	41.40	0.76

Metal - Pin - Keyed Break Away - Cabled - Overmold - Inline

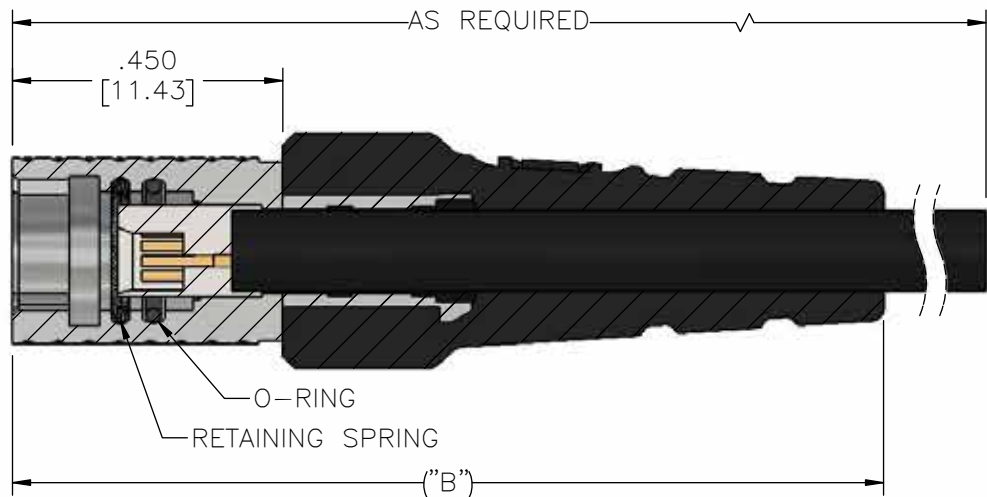
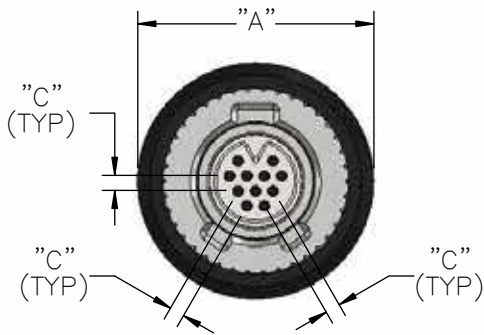
KBNP-WC-OM-IS



Part #	Contacts	English (IN)			Metric (MM)		
		A	B	C	A	B	C
A79421-001	6	0.360	1.450	0.025	9.14	36.83	0.64
A79430-001	11	0.393			9.98		
A79439-001	16	0.420	1.530		10.67	38.86	
A79448-001	28	0.460	1.630	0.030	11.68	41.40	0.76
A79457-001	39	0.550			13.97		

Metal - Socket - Keyed Break Away - Cable - Overmold - Inline

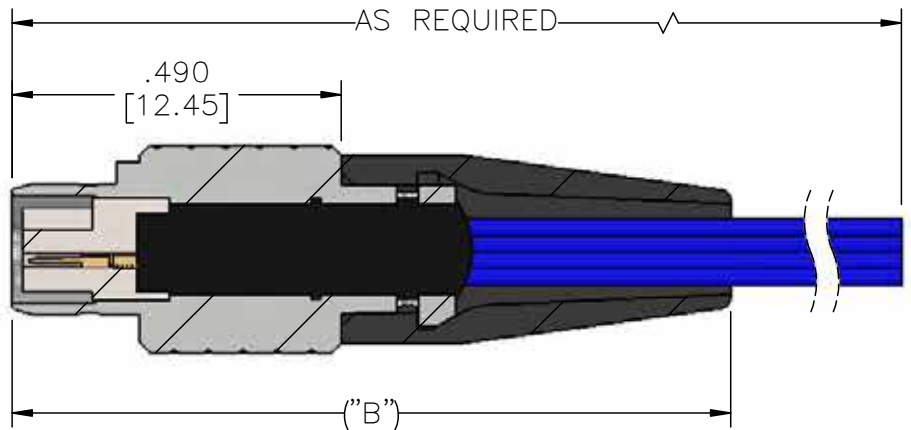
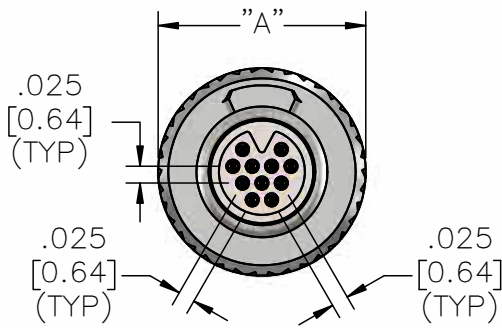
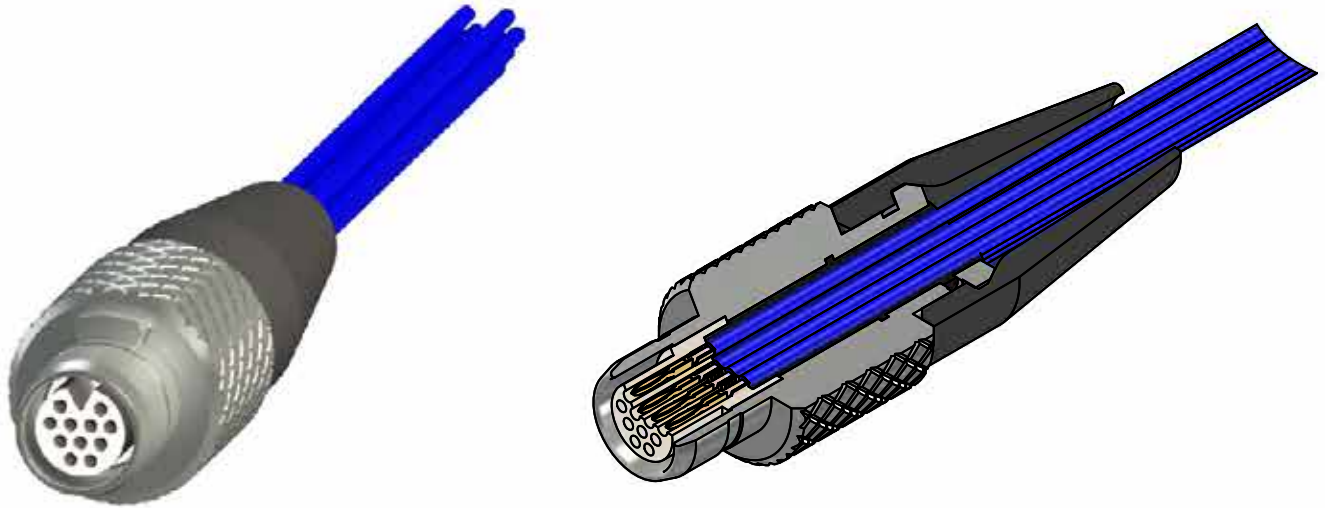
KBNS-WC-OM-IS



Part #	Contacts	English (IN)			Metric (MM)		
		A	B	C	A	B	C
A79425-001	6	0.360	1.350	0.025	9.14	34.29	0.64
A79434-001	11	0.390			9.91		
A79443-001	16	0.420	1.430		10.67	36.32	
A79452-001	28	0.460	1.530		11.68	38.86	
A79461-001	39	0.550		0.03	13.97		0.76

Metal - Pin - Break Away - Wired - Inline - Strain Relief

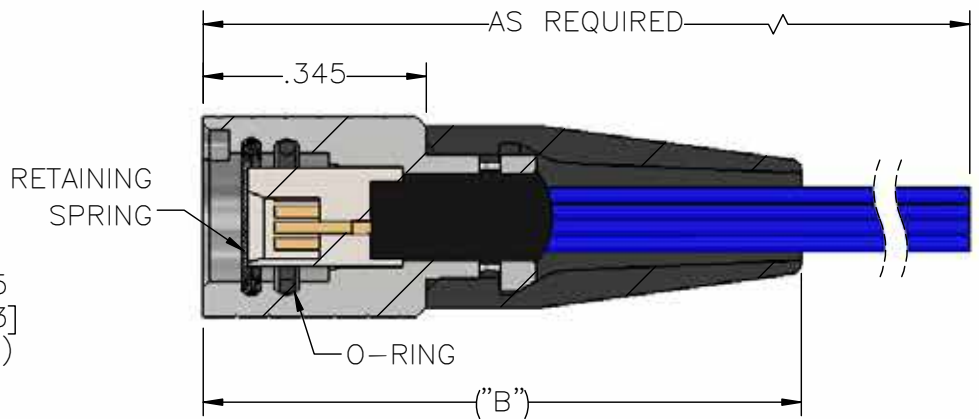
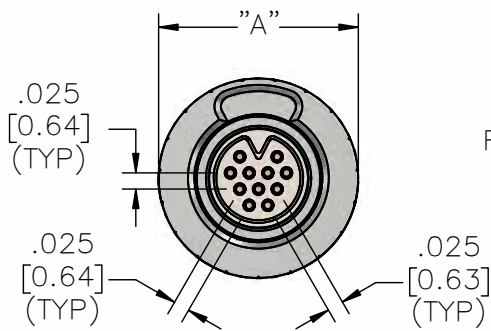
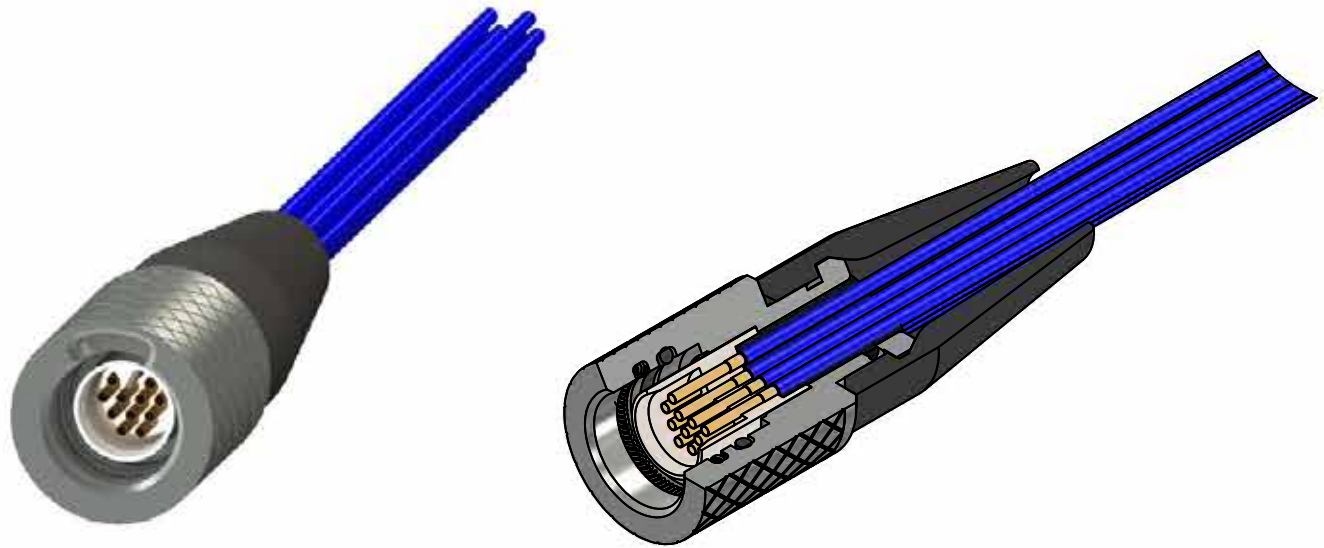
BANP-WD-IS-SR



Part #	Contacts	English (IN)		Metric (MM)	
		A	B	A	B
A79211-001	6	0.28	1.000	7.11	25.40
A79218-001	11	0.31	1.100	7.87	27.94
A79225-001	16	0.34	1.300	8.64	33.02
A79232-001	28	0.39	1.500	9.91	38.10

Metal - Socket - Break Away - Wired - Inline - Strain Relief

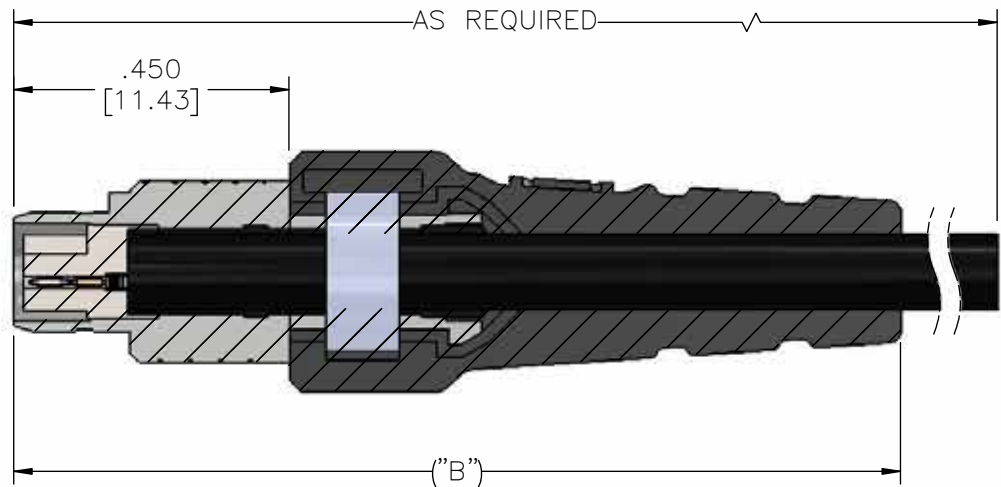
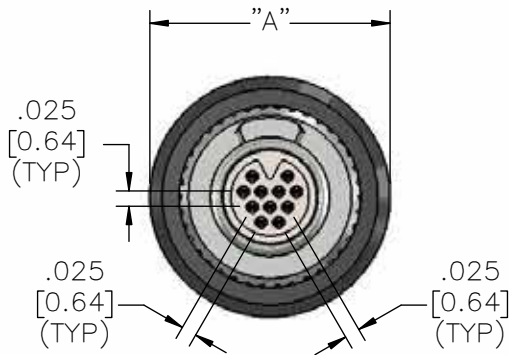
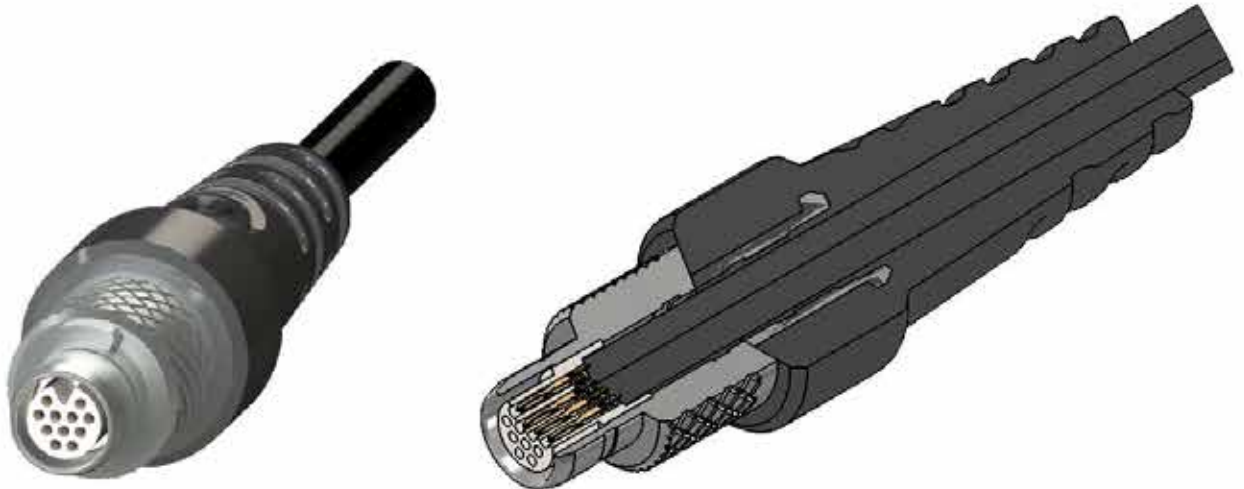
BANS-WD-IS-SR



Part #	Contacts	English (IN)		Metric (MM)	
		A	B	A	B
A79208-001	6	0.28	0.900	7.11	22.86
A79215-001	11	0.31		7.87	
A79222-001	16	0.34	1.100	8.64	27.94
A79229-001	28	0.39	1.400	9.91	35.56

Metal - Pin - Break Away - Cabled - Overmold - Inline

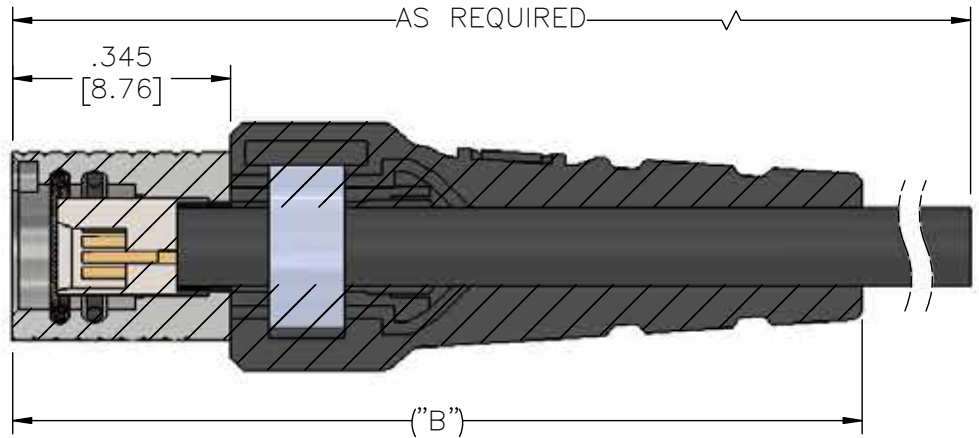
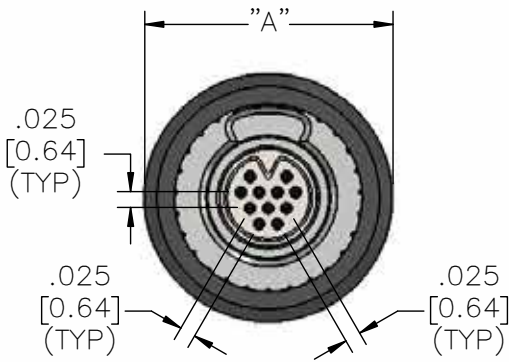
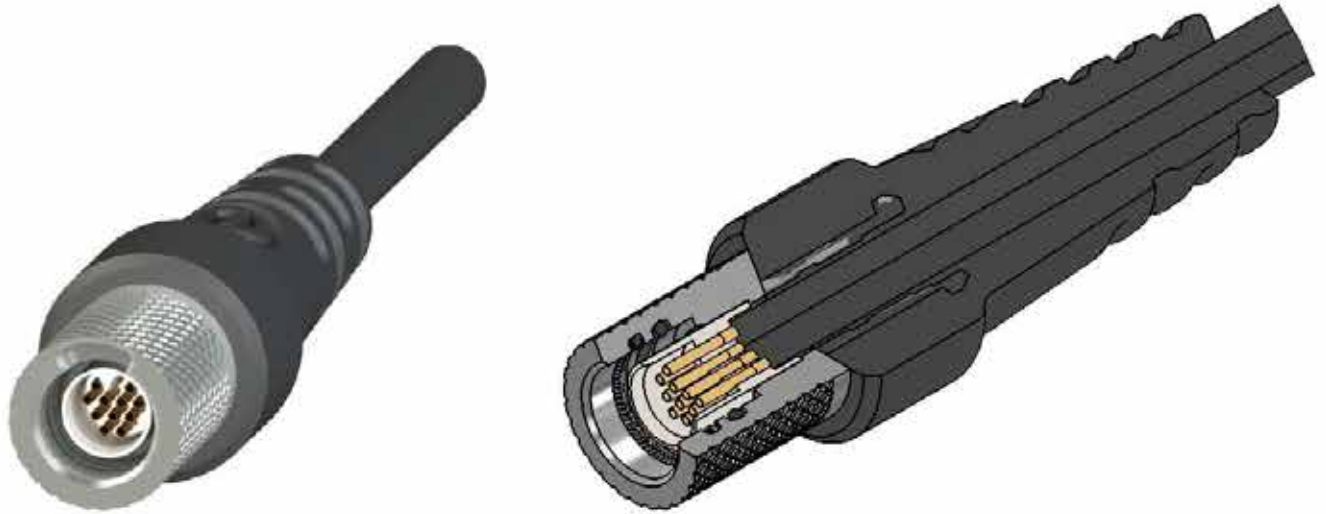
BANP-WC-OM-IS



Part #	Contacts	English (IN)		Metric (MM)	
		A	B	A	B
A79335-001	6	0.36	1.450	9.14	36.83
A79331-001	11	0.39		9.91	
A79327-001	16	0.42	1.530	10.67	38.86
A79323-001	28	0.46	1.630	11.68	41.40

Metal - Socket - Break Away - Cabled - Overmold - Inline

BANS-WC-OM-IS



Part #	Contacts	English (IN)		Metric (MM)	
		A	B	A	B
A79334-001	6	0.36	1.350	9.14	34.29
A79330-001	11	0.39		9.91	
A79326-001	16	0.42	1.420	10.67	36.07
A79322-001	28	0.46	1.530	11.68	38.86