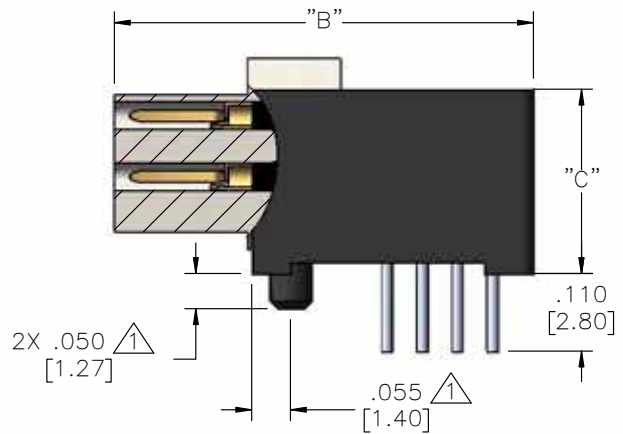
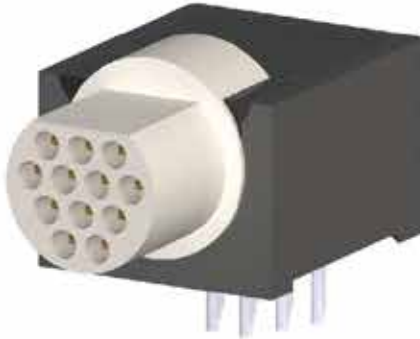
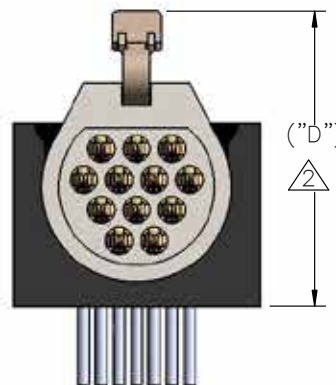
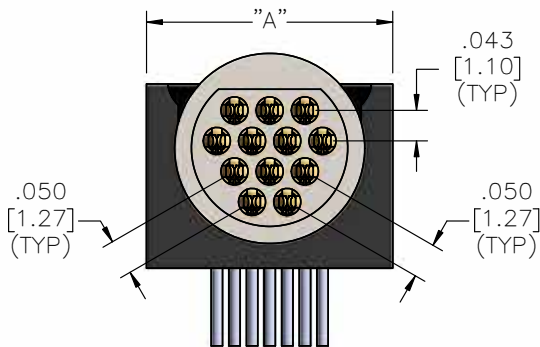


Plastic - Pin - Right Angle Thru-Hole MCP-RA



① OPTIONAL MOUNTING POSTS

② OPTIONAL LATCH



English (IN)

Metric (MM)

Part #	Contacts	A	B	C	A	B	C
A22052-001	5	0.300	0.495	0.232	7.62	12.57	5.89
A22053-001	12	0.350	0.595	0.262	8.89	15.11	6.65
A22054-001	16	0.411		0.294	10.44		7.47

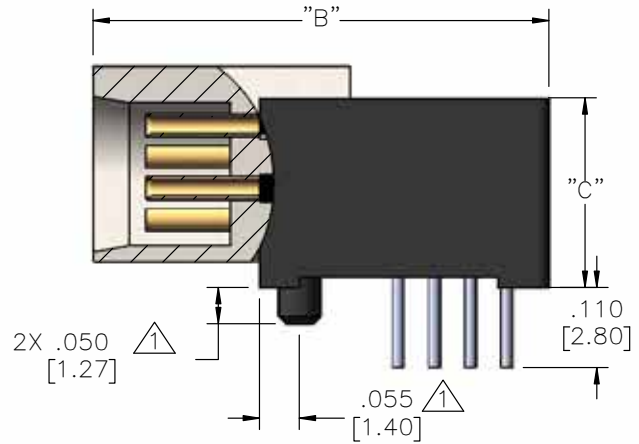
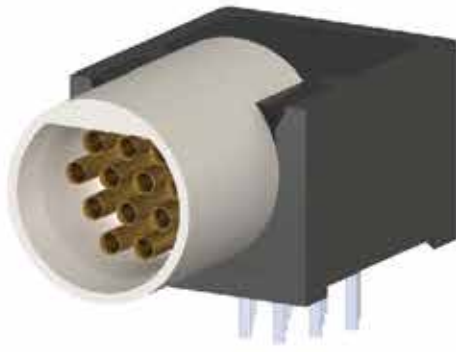
LATCHING OPTION

English (IN) **Metric (MM)**

Part #	Contacts	D	D
A22056-001	5	0.340	8.64
A22058-001	12	0.420	10.67
A22353-001	16	0.450	11.43

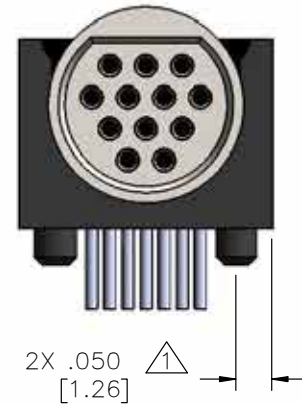
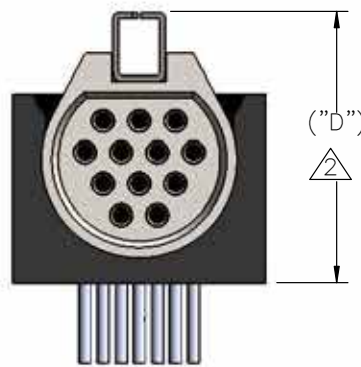
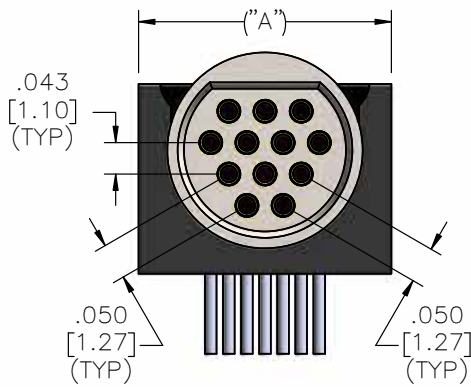
Plastic - Socket - Right Angle Thru-Hole

MCS-RA



① OPTIONAL MOUNTING POSTS

② OPTIONAL LATCH BOX



English (IN)

Metric (MM)

Part #	Contacts	A	B	C	A	B	C
A22060-001	5	0.300	0.530	0.232	7.62	13.46	5.89
A22061-001	12	0.350	0.630	0.262	8.89	16.00	6.65
A22354-001	16	0.411		0.294	10.44		7.47

LATCHING OPTION

English (IN) **Metric (MM)**

Part #	Contacts	D	D
A22062-001	5	0.300	7.62
A22063-001	12	0.370	9.40
A22355-001	16	0.400	10.16