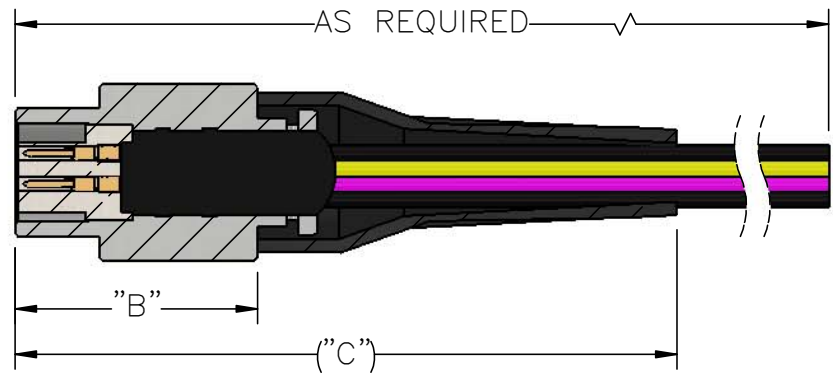
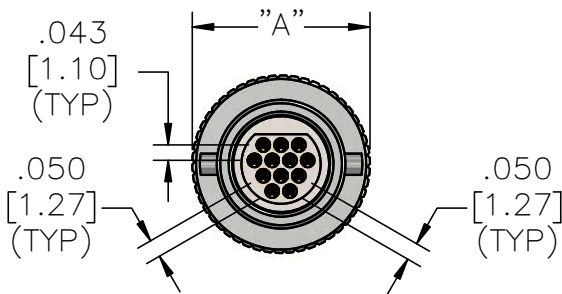
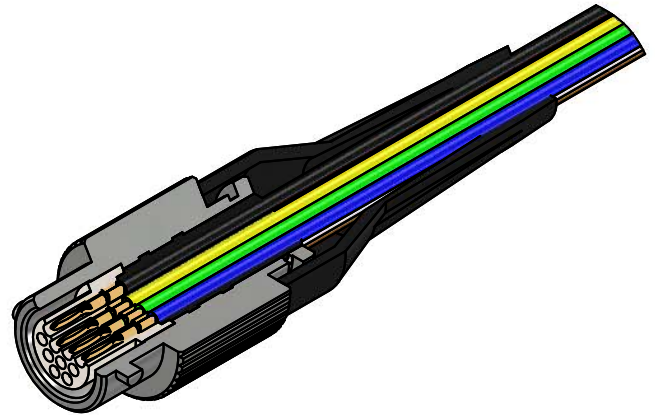


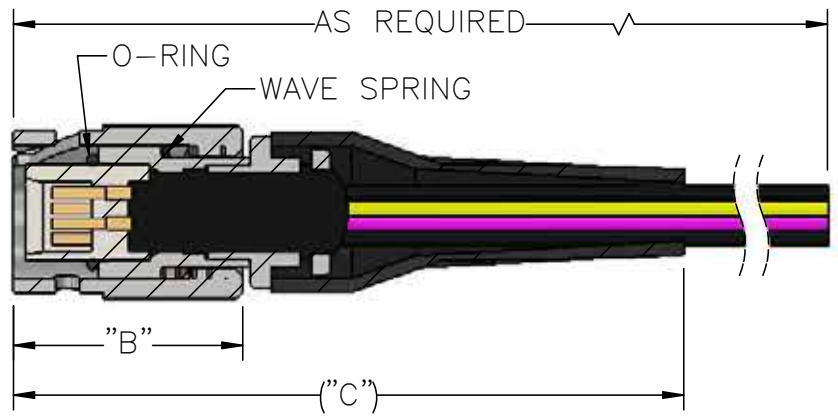
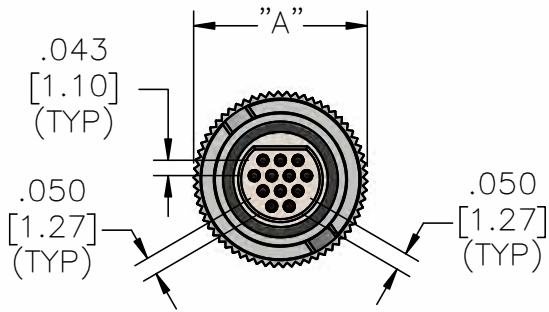
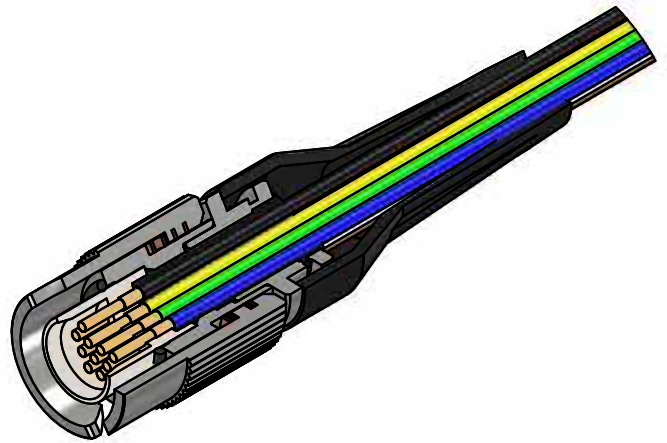
# Metal - Pin - Twist-Lock - Wired - Inline - Strain Relief

TMCP-WD-IS-SR



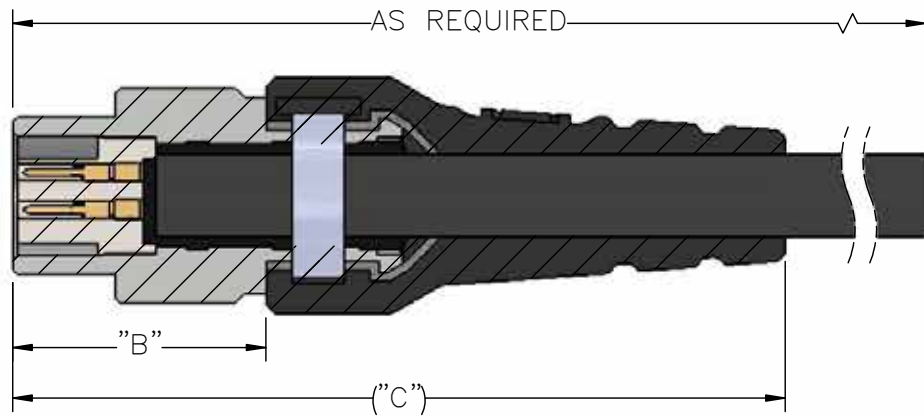
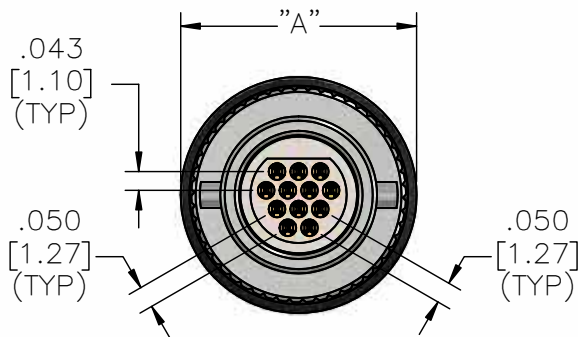
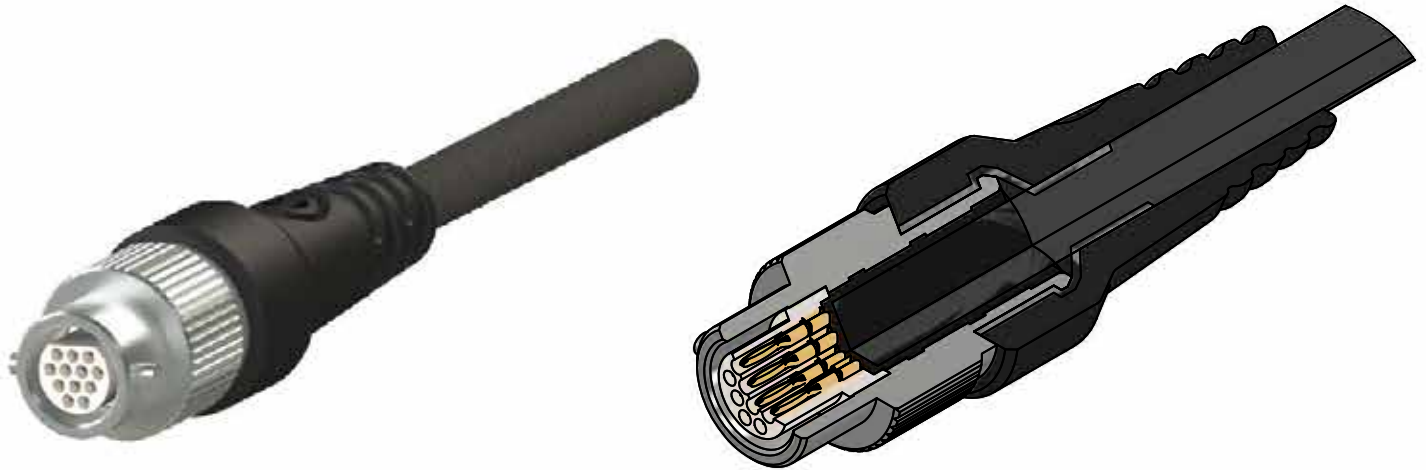
Part #	Contacts	English (IN)			Metric (MM)		
		A	B	C	A	B	C
A22228-001	5	0.450	0.680	1.900	11.43	17.27	48.26
A22230-001	12	0.500			12.70		
A22232-001	16	0.560			14.22		
A22234-001	27	0.610			15.49		
A22523-001	39	0.650	0.585	2.200	16.51	14.86	55.88

**Metal - Socket - Twist-Lock -  
Wired - Inline - Strain Relief**  
TMCS-WD-IS-SR



Part #	Contacts	English (IN)			Metric (MM)		
		A	B	C	A	B	C
A22229-001	5	0.450	0.660	1.900	11.43	16.76	48.26
A22231-001	12	0.500			12.70		
A22233-001	16	0.560	0.630	2.100	14.22	16.00	53.34
A22235-001	27	0.620			15.75		
A22533-001	39	0.670			17.02		

# Metal - Pin - Twist-Lock - Cabled - Overmold - Inline TMCP-WC-OM-IS

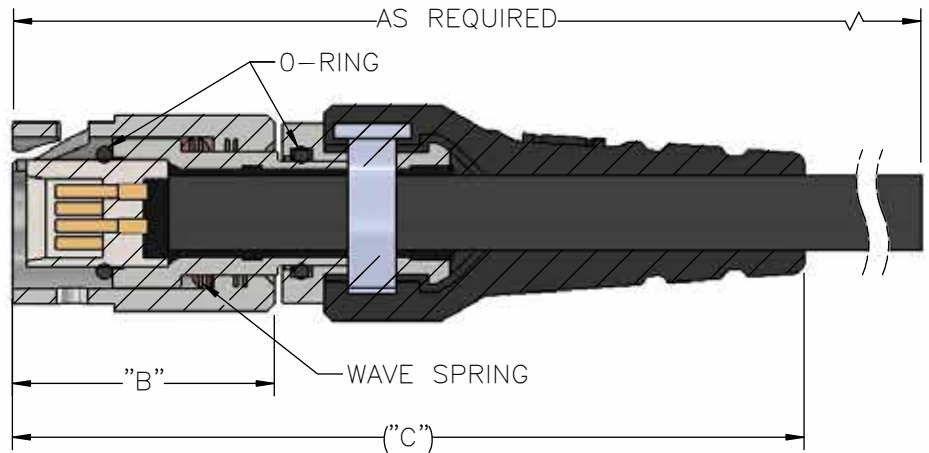
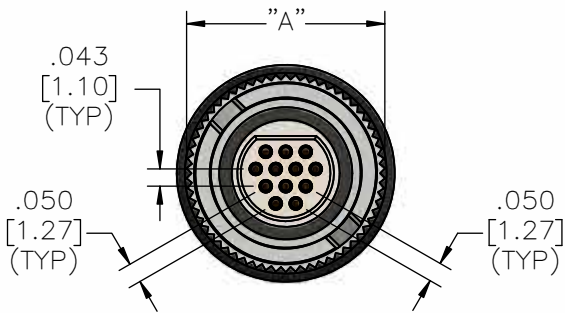
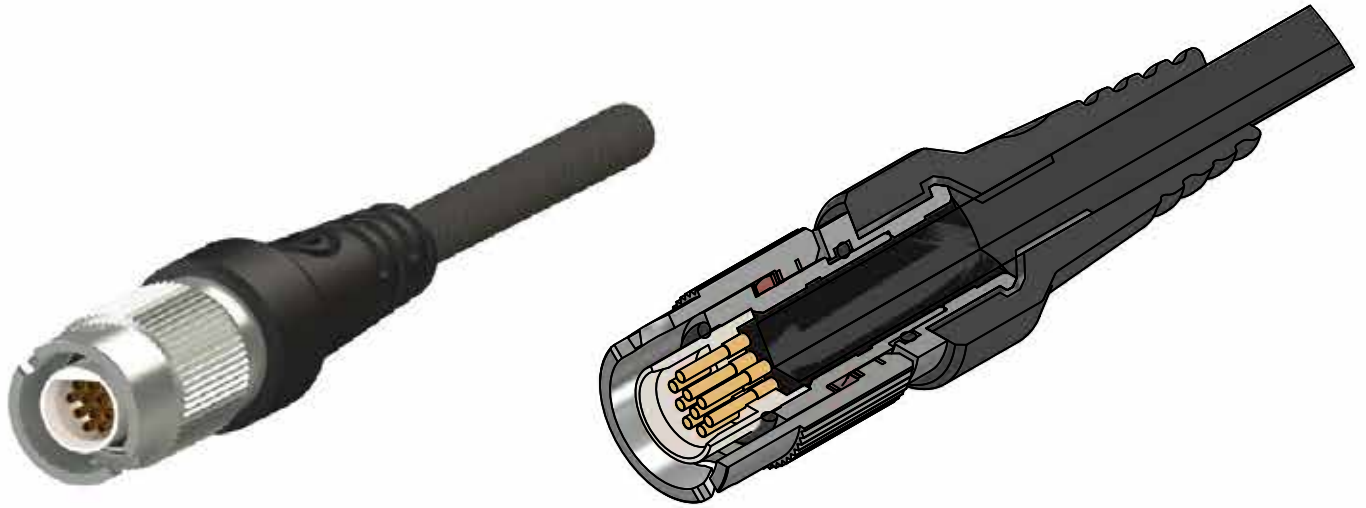


**English (IN)**

**Metric (MM)**

Part #	Contacts	A	B	C	A	B	C
A22352-001	5	0.510	0.590	1.740	12.95	14.99	44.20
A22350-001	12	0.550		1.790	13.97		45.47
A22348-001	16	0.600		1.890	15.24		48.01
A22346-001	27	0.670	0.580	1.980	17.02	14.73	50.29
-	39	Contact Omnetics for dimensions					

**Metal - Socket - Twist-Lock - Cable -  
Overmold - Inline  
TMCS-WC-OM-IS**



Part #	Contacts	English (IN)			Metric (MM)		
		A	B	C	A	B	C
A22351-001	5	0.510	0.660	1.930	12.95	16.76	49.02
A22349-001	12	0.550		1.980	13.97		50.29
A22347-001	16	0.600		2.060	15.24		52.32
A22345-001	27	0.670	0.630	2.150	17.02	16.00	54.61
-	39	Contact Omnetics for dimensions					