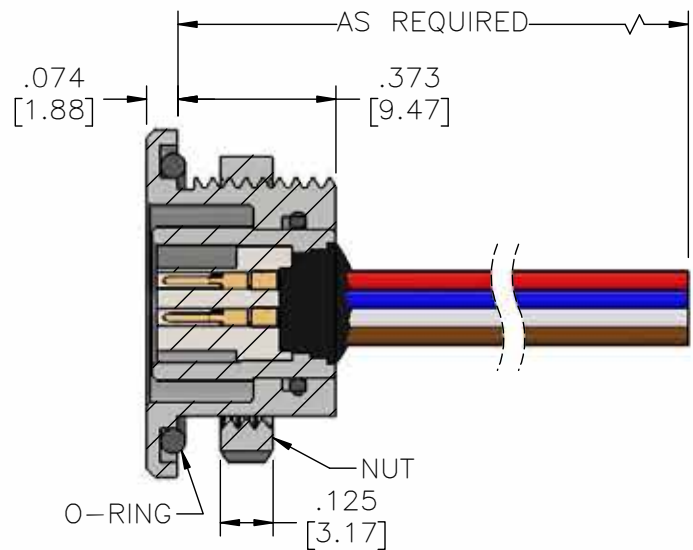
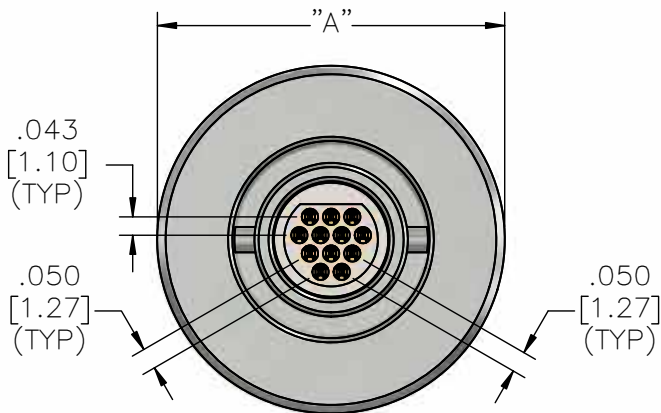
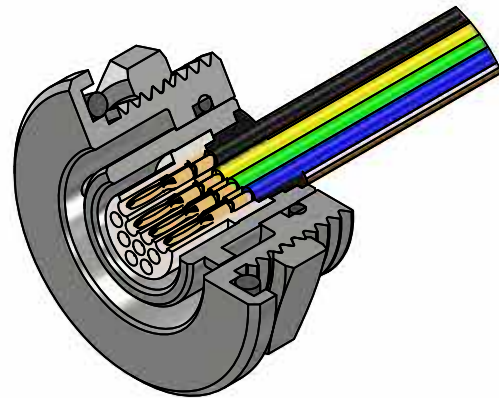
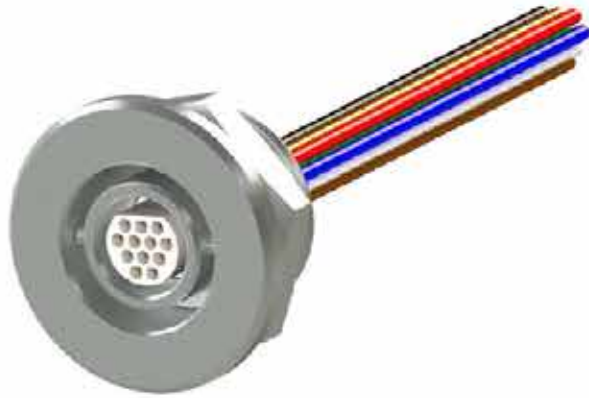
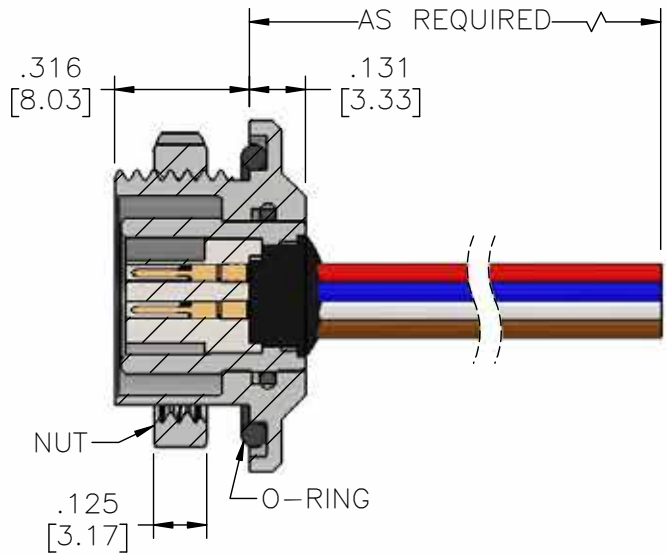
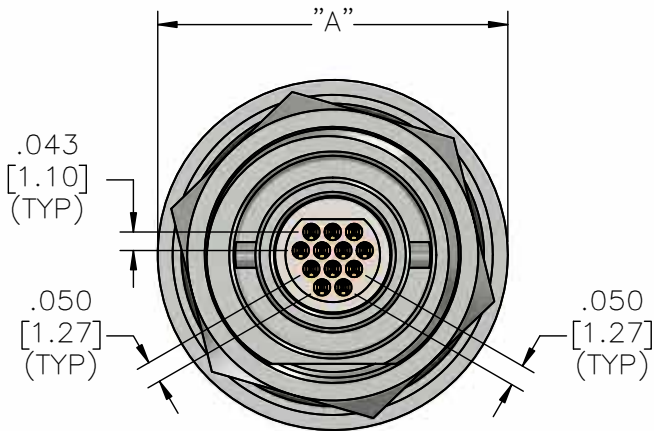
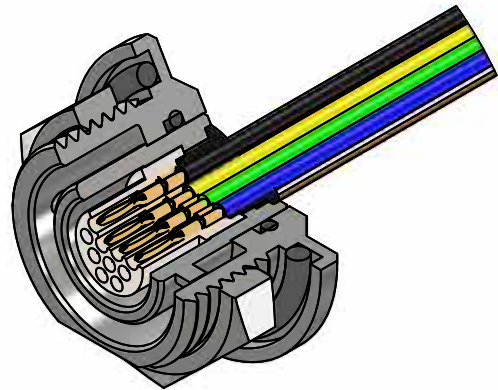


# Metal - Pin - Twist-Lock - Wired - Front Panel - IP68 TMCP-WD-FP-IP68



Part #	Contacts	English	Metric
		(IN)	(MM)
A22359-001	5	A	A
A22358-001	12	0.750	19.05
A22357-001	16	0.820	20.83
A22356-001	27	0.875	22.23
A22356-001	27	0.990	25.15
A22520-001	39	1.100	27.94

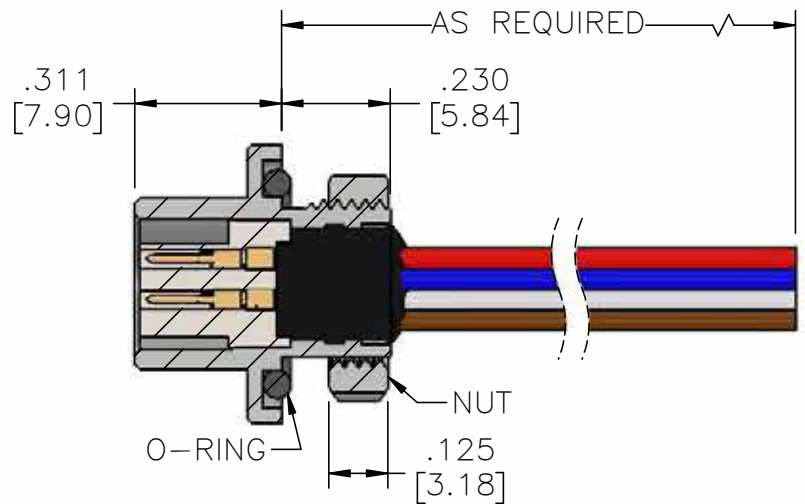
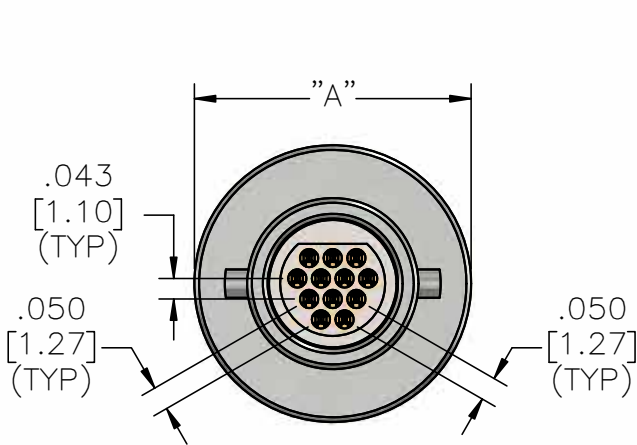
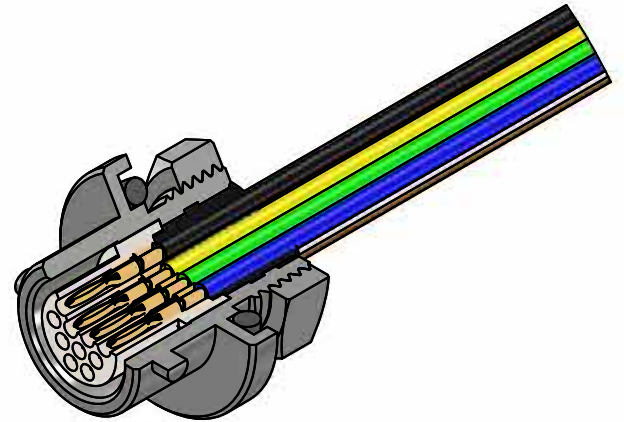
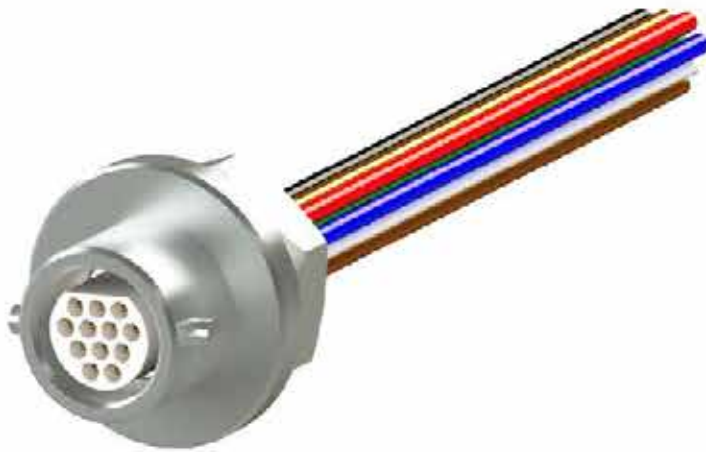
**Metal - Pin - Twist-Lock - Cable - Rear Panel - IP68**  
**TMCP-WD-RP-IP68**



Part #	Contacts	English	Metric
		(IN)	(MM)
A22363-001	5	A	A
A22362-001	12	0.750	19.05
A22361-001	16	0.820	20.83
A22360-001	27	0.875	22.23
A22360-001	27	0.990	25.15
A22521-001	39	1.100	27.94

# Metal - Pin - Twist-Lock - Wired - Protruding Panel - IP68

TMCP-WD-PP-IP68



Part #	Contacts	English	Metric
		(IN)	(MM)
A22367-001	5	A	A
A22366-001	12	0.541	13.74
A22365-001	16	0.586	14.88
A22364-001	27	0.662	16.81
-	39	Contact Omnetics for dimensions	