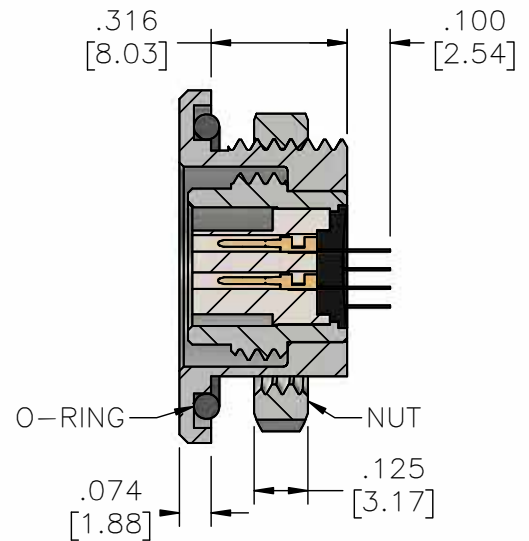
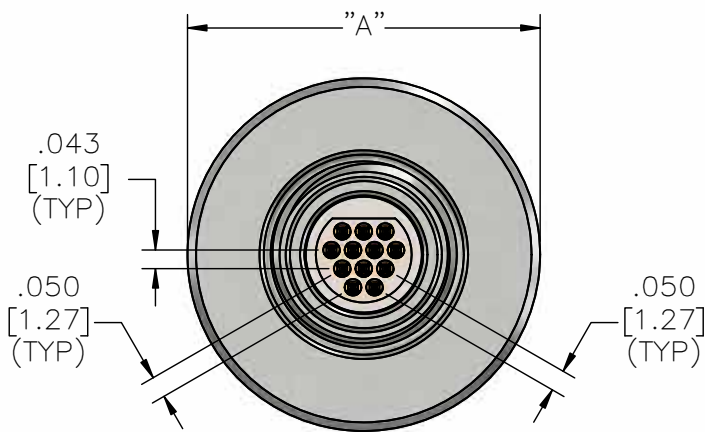
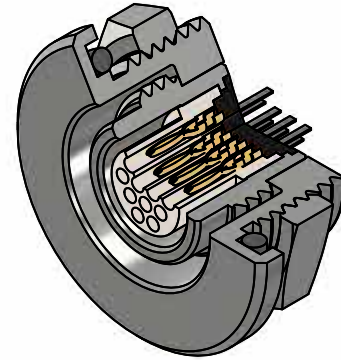


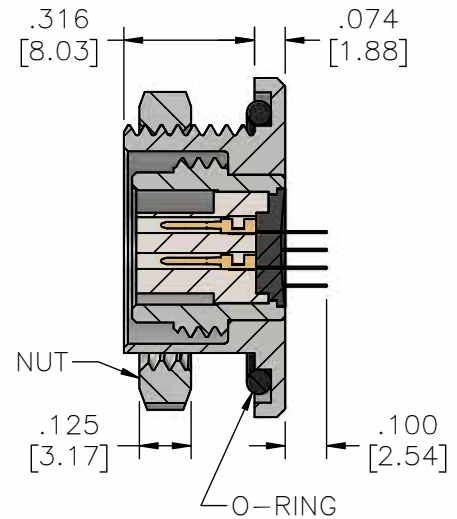
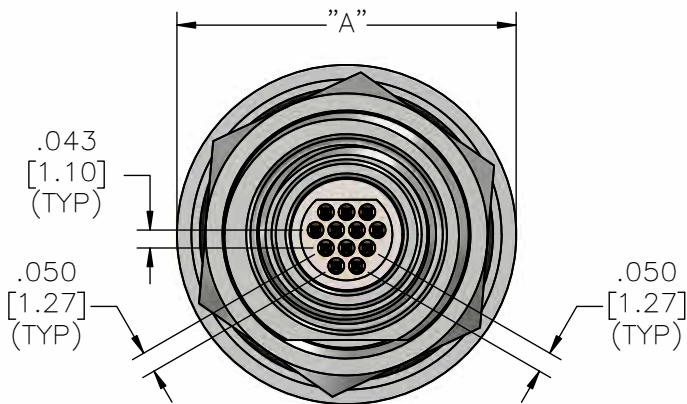
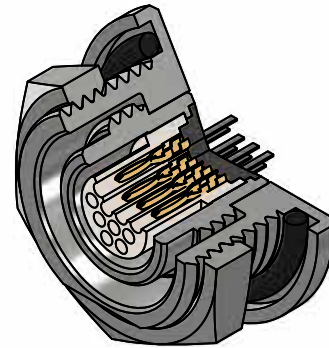
# Metal - Pin - Straight Tail - Front Panel

## MMCP-DD-FP



	English (IN)	Metric (MM)
Contacts	A	A
5	0.750	19.05
12	0.820	20.83
16	0.875	22.23
27	0.990	25.15
39	1.100	27.94

**Metal - Pin - Threaded - Straight Tail - Rear Panel**  
**MMCP-DD-RP**



	<b>English (IN)</b>	<b>Metric (MM)</b>
Contacts	A	A
5	0.750	19.05
12	0.820	20.83
16	0.875	22.23
27	0.990	25.15
39	1.100	27.94