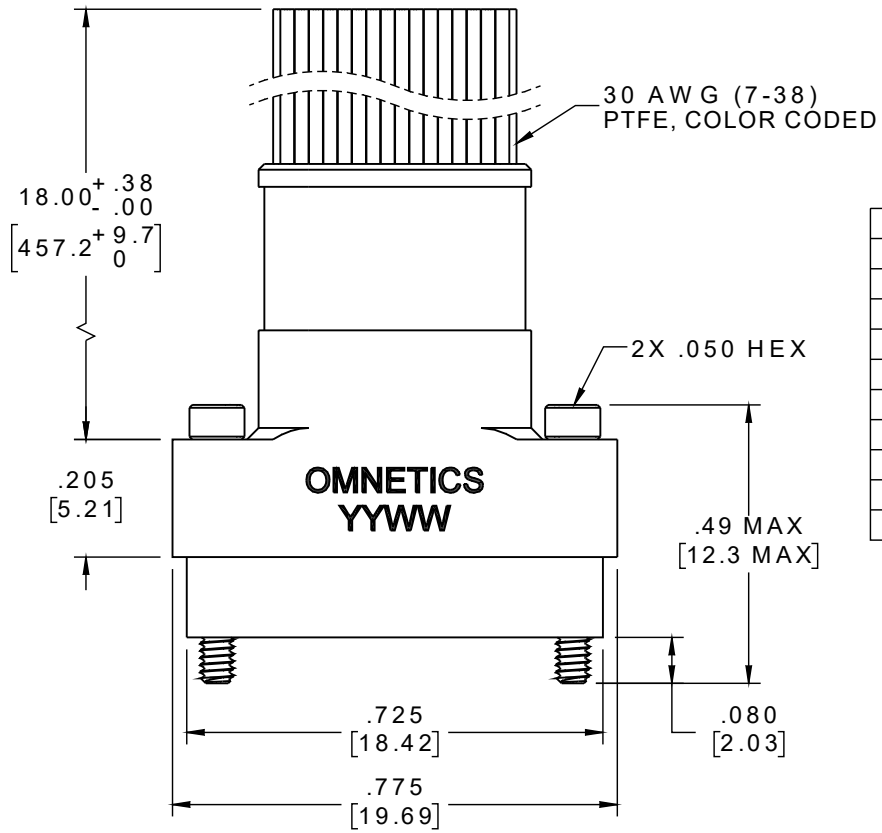
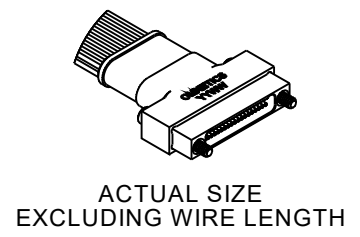


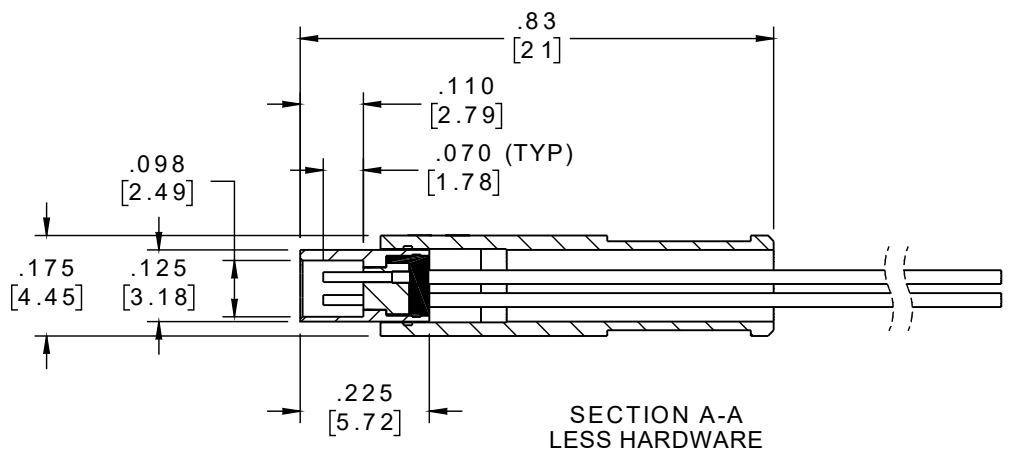
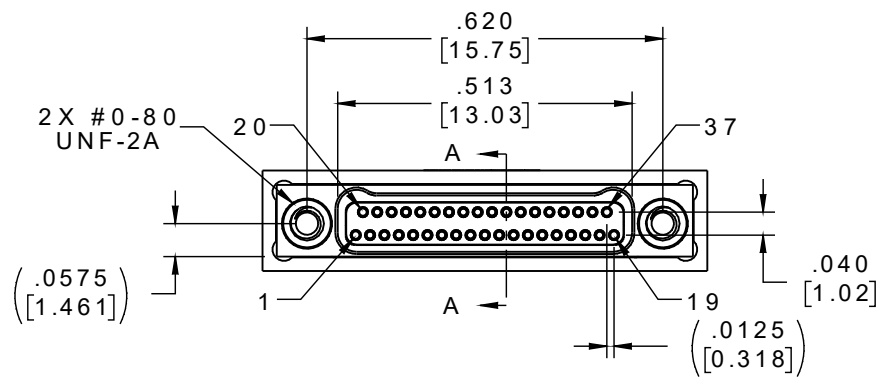
PART NO.	A29111-137	REV	ECO	DATE	APP
		A	104308	03-07-18	HV



SOCKET #	COLOR
1, 11, 21, 31	BLACK
2, 12, 22, 32	BROWN
3, 13, 23, 33	RED
4, 14, 24, 34	ORANGE
5, 15, 25, 35	YELLOW
6, 16, 26, 36	GREEN
7, 17, 27, 37	BLUE
8, 18, 28	VIOLET
9, 19, 29	GRAY
10, 20, 30	WHITE



**INTERNAL USE ONLY**  
**USE MFG LOADING**  
**PROCEDURE A29000-137**



**NOTE:**  
 DIMENSIONS IN [ ] ARE IN MILLIMETERS UNLESS OTHERWISE NOTED AND ARE FOR REFERENCE ONLY

MNSO LOSUN SLDWI	THIRD ANGLE	THIS DRAWING CONTAINS CONFIDENTIAL AND PROPRIETARY INFORMATION WHICH IS THE PROPERTY OF OMNETICS CONNECTOR CORP. THIS DOCUMENT MAY NOT, IN WHOLE OR IN PART, BE DUPLICATED, OR DISCLOSED FOR ANY PURPOSE, WITHOUT WRITTEN PERMISSION FROM OMNETICS CONNECTOR CORP.		<b>OMNETICS</b>	CAGE CODE 61873	
	-TOLERANCES- UNLESS OTHERWISE NOTED DIMENSIONS IN INCHES	DFTM. HV	DATE 03-06-18		TITLE:	DWG NO. A29111-137
	2 PL DEC ± .01	CHK'D.	DATE	(37) SOCKET FEMALE	SHEET 1 OF 2	
	3 PL DEC ± .005	APP'D.	DATE	Bi-Lobe® CONNECTOR W/BACKSHELL	REV	A
4 PL DEC ± .0005				CONNECTOR CORPORATION		
ANGLES ± 1°				7260 COMMERCE CIRCLE EAST MINNEAPOLIS, MN 55432 WWW.OMNETICS.COM		
				SCALE: 3:1		