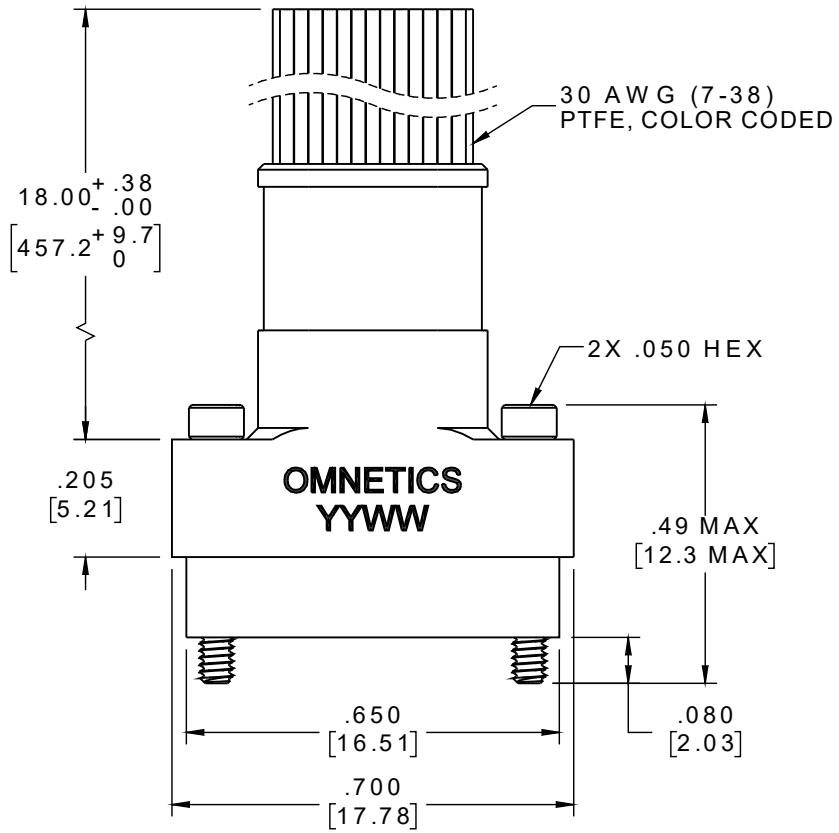
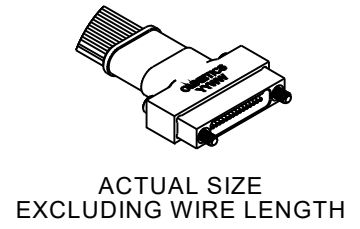


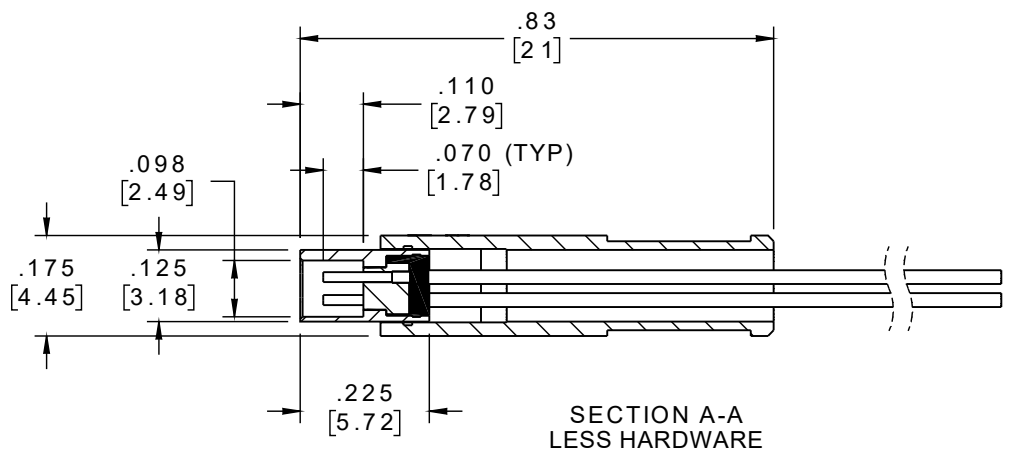
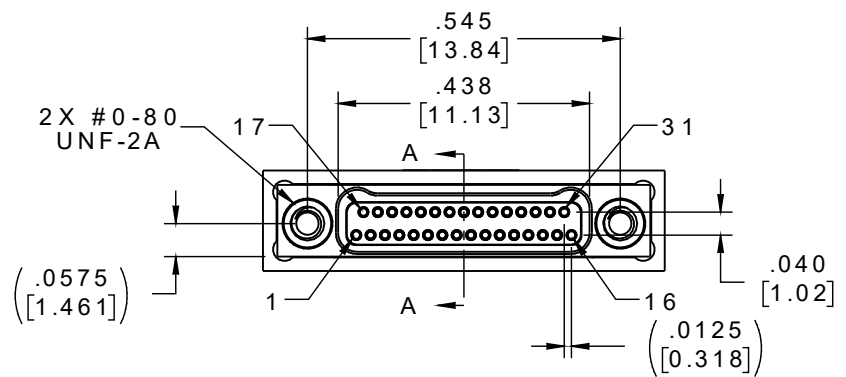
PART NO.	A29111-131	REV	ECO	DATE	APP
		A	104308	03-07-18	HV



SOCKET #	COLOR
1, 11, 21, 31	BLACK
2, 12, 22	BROWN
3, 13, 23	RED
4, 14, 24	ORANGE
5, 15, 25	YELLOW
6, 16, 26	GREEN
7, 17, 27	BLUE
8, 18, 28	VIOLET
9, 19, 29	GRAY
10, 20, 30	WHITE



INTERNAL USE ONLY  
USE MFG LOADING  
PROCEDURE A29000-131



NOTE:  
DIMENSIONS IN [ ] ARE IN  
MILLIMETERS UNLESS  
OTHERWISE NOTED AND ARE  
FOR REFERENCE ONLY

MNSW LOSUN S/DWV	THIRD ANGLE	THIS DRAWING CONTAINS CONFIDENTIAL AND PROPRIETARY INFORMATION WHICH IS THE PROPERTY OF OMNETICS CONNECTOR CORP. THIS DOCUMENT MAY NOT, IN WHOLE OR IN PART, BE DUPLICATED, OR DISCLOSED FOR ANY PURPOSE, WITHOUT WRITTEN PERMISSION FROM OMNETICS CONNECTOR CORP.		<b>OMNETICS</b> CONNECTOR CORPORATION 7260 COMMERCE CIRCLE EAST MINNEAPOLIS, MN 55432 WWW.OMNETICS.COM	CAGE CODE 61873		
	-TOLERANCES- UNLESS OTHERWISE NOTED DIMENSIONS IN INCHES	DFTM. HV	DATE 03-06-18		TITLE: (31) SOCKET FEMALE Bi-Lobe® CONNECTOR W/BACKSHELL	DWG NO. A29111-131	
	2 PL DEC ± .01	CHK'D.	DATE			SHEET 1 OF 2	
	3 PL DEC ± .005	APP'D.	DATE			REV A	SCALE: 3:1