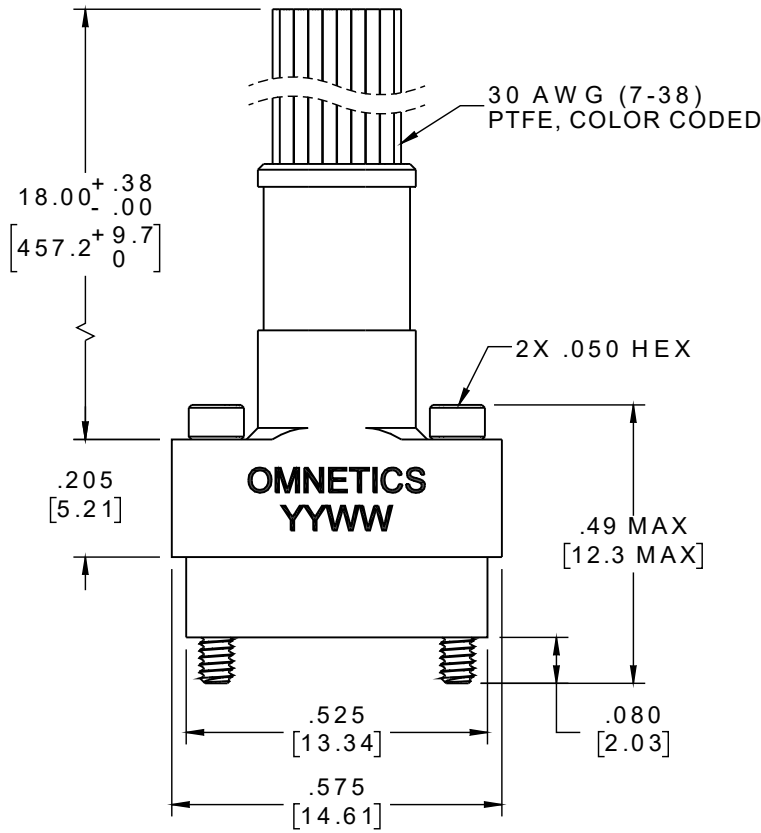
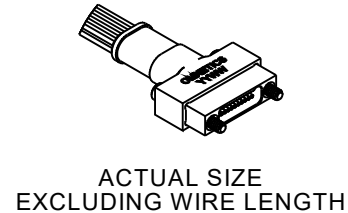


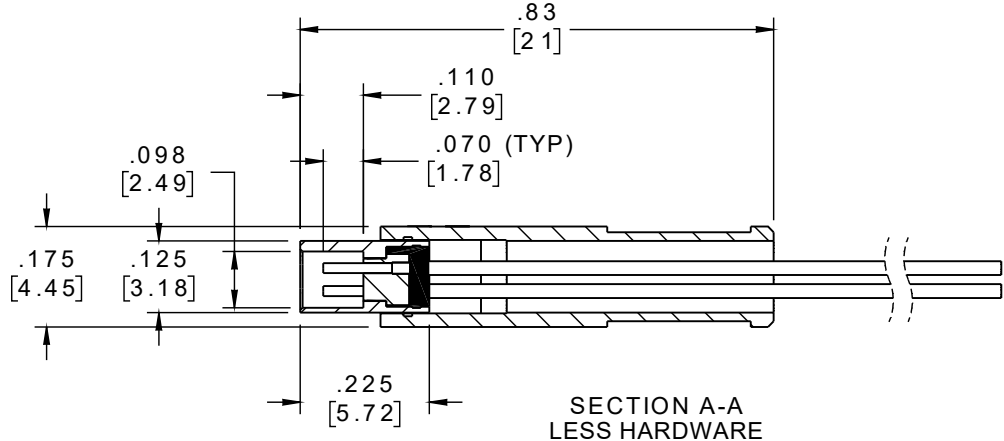
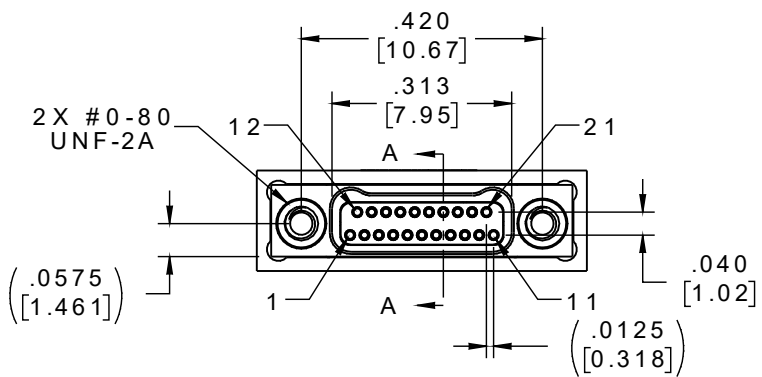
|          |            |     |        |          |     |
|----------|------------|-----|--------|----------|-----|
| PART NO. | A29111-121 | REV | ECO    | DATE     | APP |
|          |            | A   | 104308 | 03-07-18 | HV  |



| SOCKET #  | COLOR  |
|-----------|--------|
| 1, 11, 21 | BLACK  |
| 2, 12     | BROWN  |
| 3, 13     | RED    |
| 4, 14     | ORANGE |
| 5, 15     | YELLOW |
| 6, 16     | GREEN  |
| 7, 17     | BLUE   |
| 8, 18     | VIOLET |
| 9, 19     | GRAY   |
| 10, 20    | WHITE  |



INTERNAL USE ONLY  
USE MFG LOADING  
PROCEDURE A29000-121



NOTE:  
DIMENSIONS IN [ ] ARE IN MILLIMETERS UNLESS OTHERWISE NOTED AND ARE FOR REFERENCE ONLY

|                       |  |  |               |  |   |                    |   |
|-----------------------|--|--|---------------|--|---|--------------------|---|
| MNSO<br>LOSUN<br>SLDW | THIRD ANGLE  | THIS DRAWING CONTAINS CONFIDENTIAL AND PROPRIETARY INFORMATION WHICH IS THE PROPERTY OF OMNETICS CONNECTOR CORP. THIS DOCUMENT MAY NOT, IN WHOLE OR IN PART, BE DUPLICATED, OR DISCLOSED FOR ANY PURPOSE, WITHOUT WRITTEN PERMISSION FROM OMNETICS CONNECTOR CORP. |               | <b>OMNETICS</b><br>CONNECTOR CORPORATION<br>7260 COMMERCE CIRCLE EAST<br>MINNEAPOLIS, MN 55432<br>WWW.OMNETICS.COM | CAGE CODE 61873   |                    |   |
|                       | -TOLERANCES-<br>UNLESS OTHERWISE NOTED<br>DIMENSIONS IN INCHES | DFTM. HV   | DATE 03-06-18 |  | TITLE:  | DWG NO. A29111-121 |   |
|                       | 2 PL DEC ± .01   | CHK'D.   | DATE          |  | (21) SOCKET FEMALE<br>Bi-Lobe® CONNECTOR<br>W/BACKSHELL | SHEET 1 OF 2       |   |
|                       | 3 PL DEC ± .005  | APP'D.   | DATE          |  |   | REV                | A |
|                       |  |  |               |  | SCALE: 3:1  |                    |   |