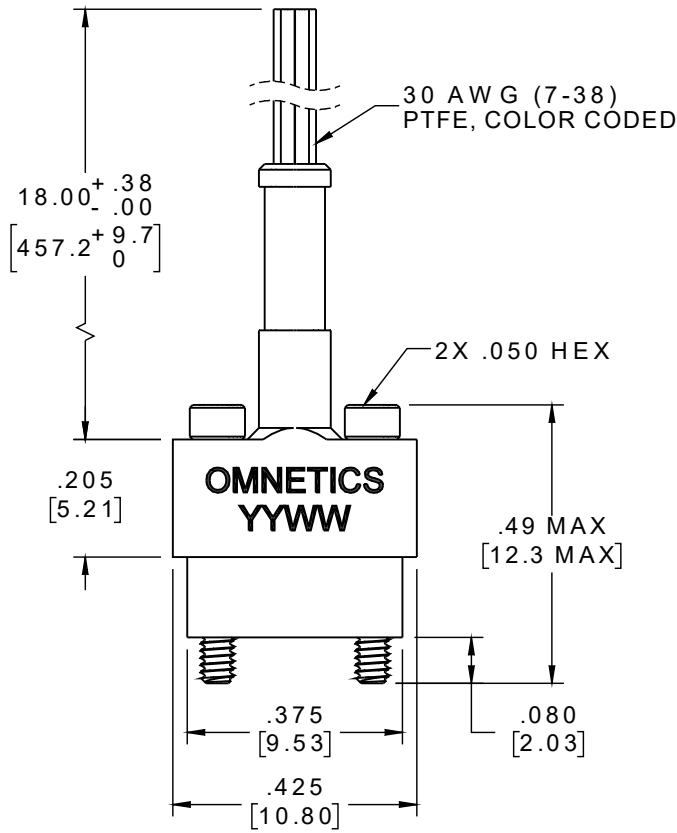
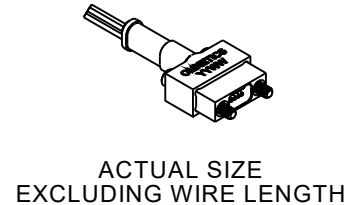


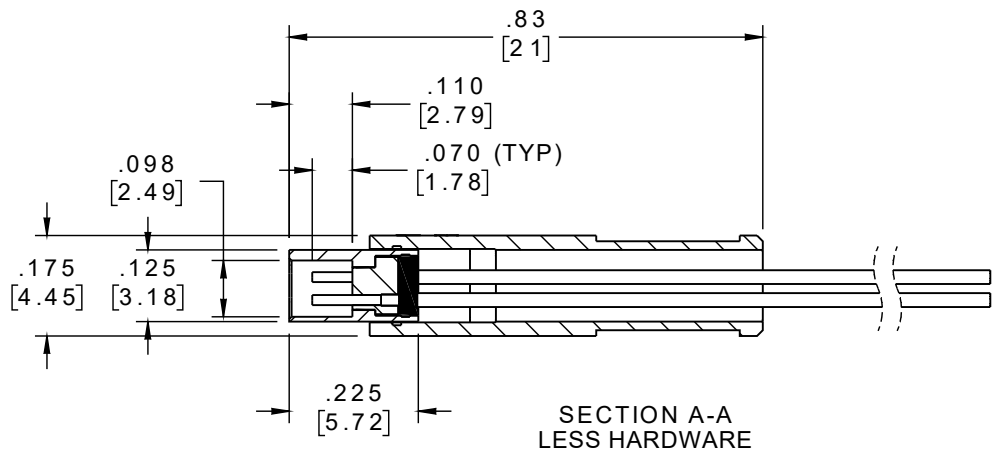
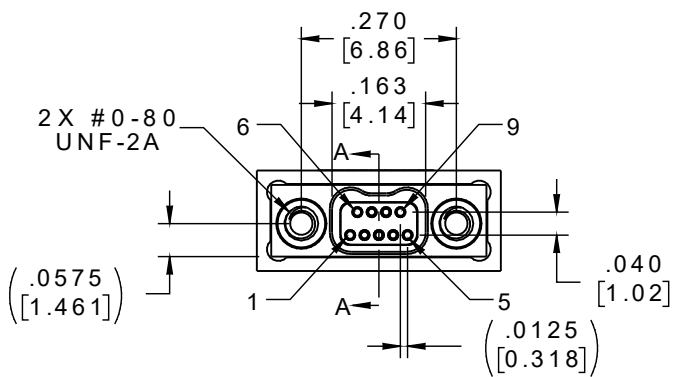
PART NO.	A29111-109	REV	ECO	DATE	APP
		A	104308	03-07-18	HV



SOCKET #	COLOR
1	BLACK
2	BROWN
3	RED
4	ORANGE
5	YELLOW
6	GREEN
7	BLUE
8	VIOLET
9	GRAY



INTERNAL USE ONLY
USE MFG LOADING
PROCEDURE A29000-109



NOTE:
DIMENSIONS IN [] ARE IN MILLIMETERS UNLESS OTHERWISE NOTED AND ARE FOR REFERENCE ONLY

MNSW LOSUN SLD/W	THIRD ANGLE	THIS DRAWING CONTAINS CONFIDENTIAL AND PROPRIETARY INFORMATION WHICH IS THE PROPERTY OF OMNETICS CONNECTOR CORPORATION. THIS DOCUMENT MAY NOT, IN WHOLE OR IN PART, BE DUPLICATED, OR DISCLOSED FOR ANY PURPOSE, WITHOUT WRITTEN PERMISSION FROM OMNETICS CONNECTOR CORP.	OMNETICS CONNECTOR CORPORATION 7260 COMMERCE CIRCLE EAST MINNEAPOLIS, MN 55432 WWW.OMNETICS.COM	CAGE CODE 61873				
	-TOLERANCES- UNLESS OTHERWISE NOTED DIMENSIONS IN INCHES			DWG NO. A29111-109				
	2 PL DEC ± .01 3 PL DEC ± .005 4 PL DEC ± .0005 ANGLES ± 1°			DFTM. HV CHK'D. APP'D.	DATE 03-06-18 DATE DATE	TITLE: (9) SOCKET FEMALE Bi-Lobe® CONNECTOR W/BACKSHELL	SHEET 1 OF 2	REV A
						SCALE: 3:1		