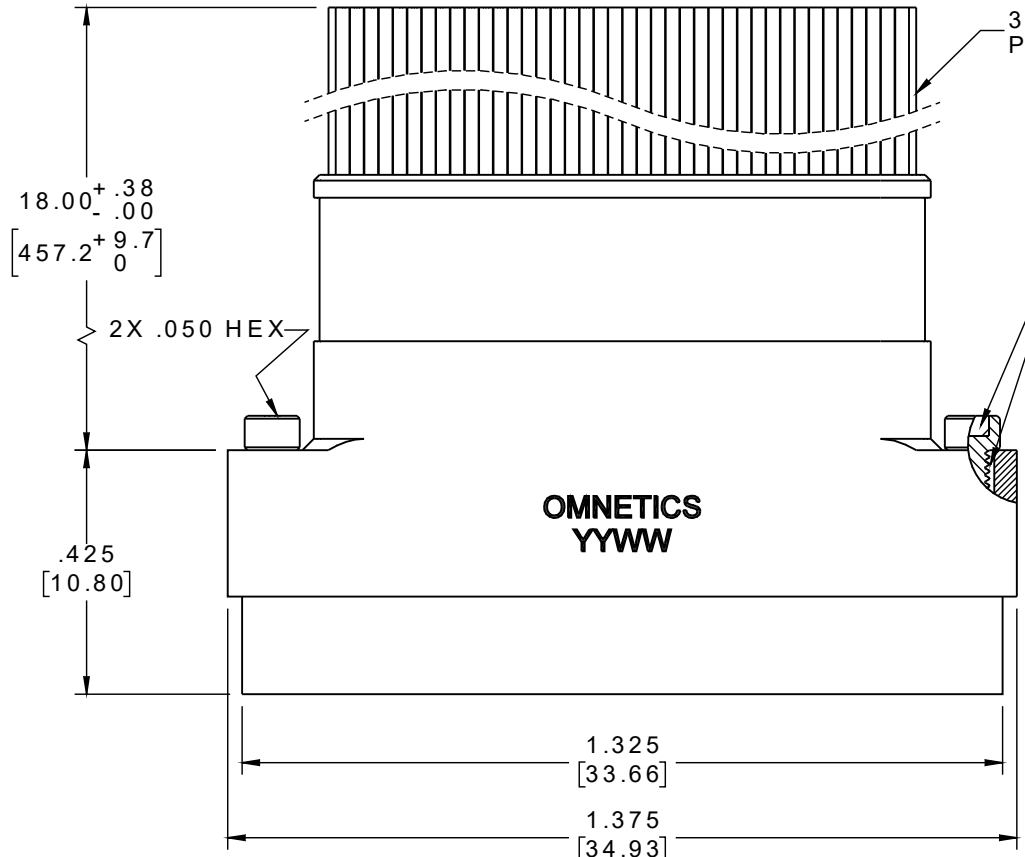
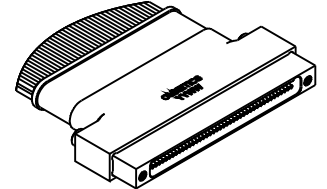


PART NO.	A29111-085	REV	ECO	DATE	APP
		A	104307	03-23-18	HV



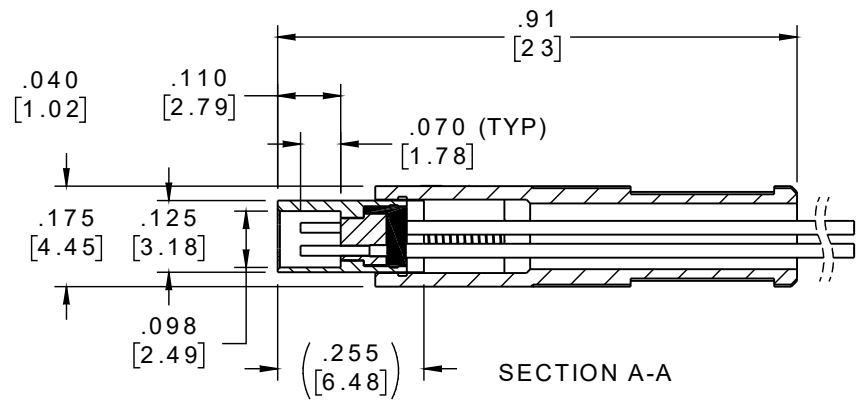
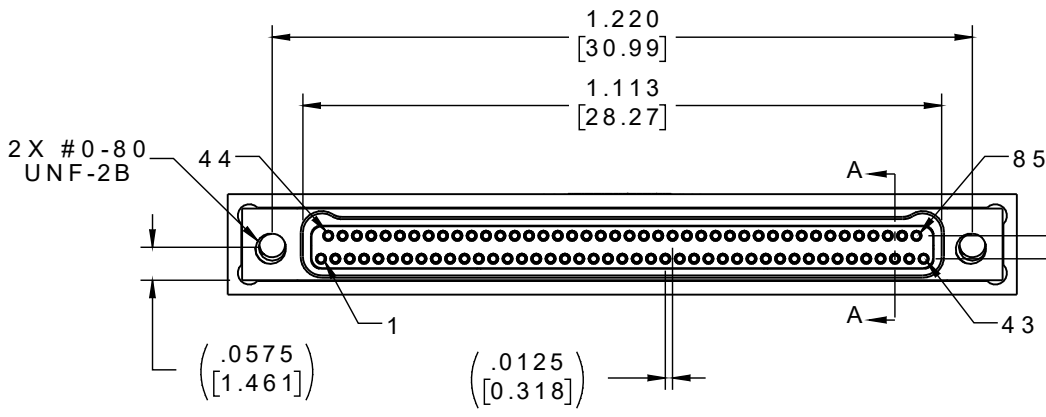
30 AWG (7-38)  
PTFE, COLOR CODED



ACTUAL SIZE  
EXCLUDING WIRE LENGTH

SOCKET #	COLOR
1, 11, 21, 31, 41, 51, 61, 71, 81	BLACK
2, 12, 22, 32, 42, 52, 62, 72, 82	BROWN
3, 13, 23, 33, 43, 53, 63, 73, 83	RED
4, 14, 24, 34, 44, 54, 64, 74, 84	ORANGE
5, 15, 25, 35, 45, 55, 65, 75, 85	YELLOW
6, 16, 26, 36, 46, 56, 66, 76	GREEN
7, 17, 27, 37, 47, 57, 67, 77	BLUE
8, 18, 28, 38, 48, 58, 68, 78	VIOLET
9, 19, 29, 39, 49, 59, 69, 79	GRAY
10, 20, 30, 40, 50, 60, 70, 80	WHITE

INTERNAL USE ONLY  
USE MFG LOADING  
PROCEDURE A29000-085



NOTE:  
DIMENSIONS IN [ ] ARE IN MILLIMETERS UNLESS OTHERWISE NOTED AND ARE FOR REFERENCE ONLY

MNSW LOSUNW SIDW	THIRD ANGLE
	-TOLERANCES-
	UNLESS OTHERWISE NOTED
	DIMENSIONS IN INCHES
2 PL DEC ± .01	
3 PL DEC ± .005	
4 PL DEC ± .0005	
ANGLES ± 1°	

THIS DRAWING CONTAINS CONFIDENTIAL AND PROPRIETARY INFORMATION WHICH IS THE PROPERTY OF OMNETICS CONNECTOR CORP. THIS DOCUMENT MAY NOT, IN WHOLE OR IN PART, BE DUPLICATED, OR DISCLOSED FOR ANY PURPOSE, WITHOUT WRITTEN PERMISSION FROM OMNETICS CONNECTOR CORP.	
DFTM. HV	DATE 03-05-18
CHK'D.	DATE
APP'D.	DATE
TITLE: (85) SOCKET FEMALE Bi-Lobe® CONNECTOR W/ BACKSHELL	

**OMNETICS**  
CONNECTOR CORPORATION  
7260 COMMERCE CIRCLE EAST  
MINNEAPOLIS, MN 55432  
WWW.OMNETICS.COM

CAGE CODE 61873	
DWG NO. A29111-085	
SHEET 1 OF 2	REV A
SCALE: 3:1	