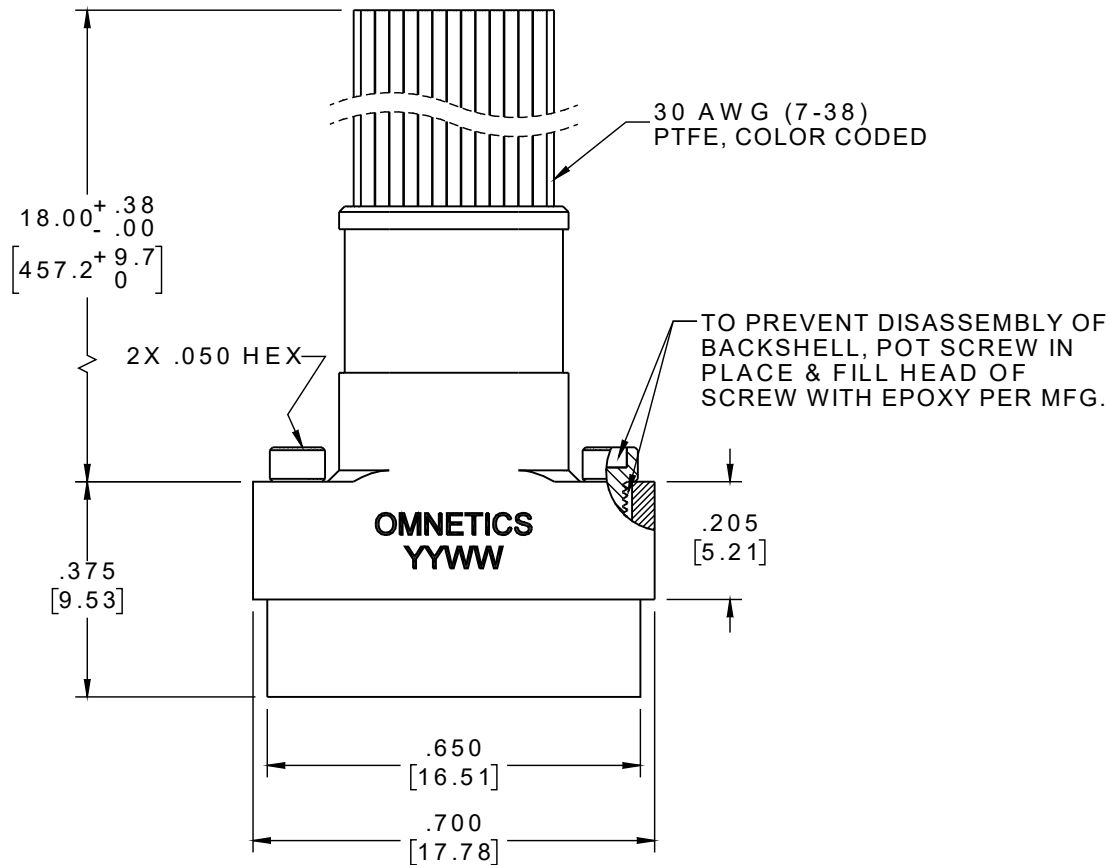
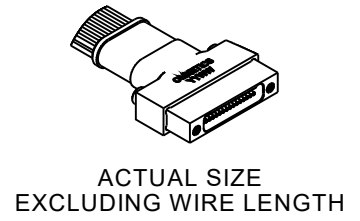


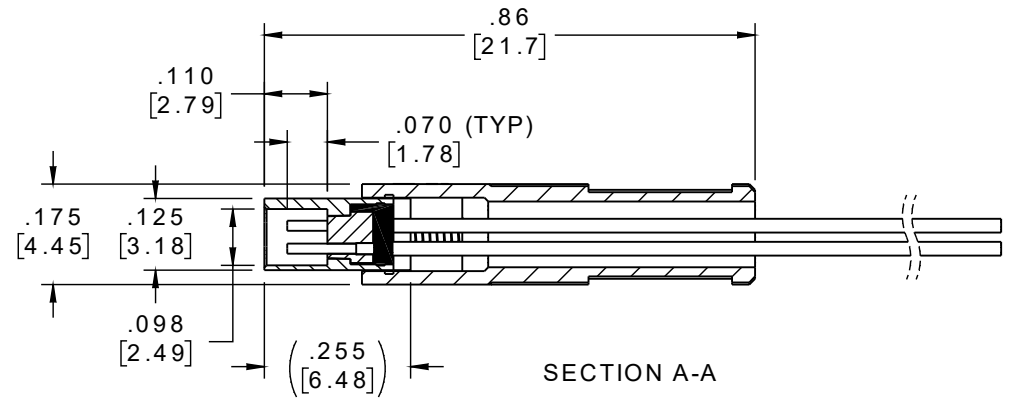
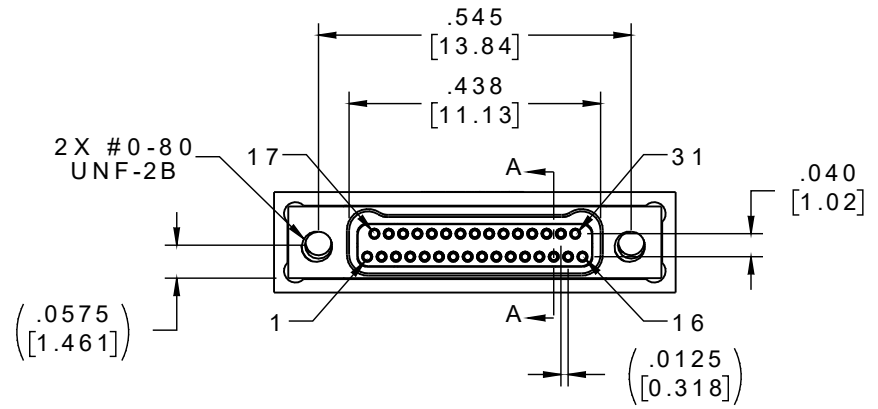
PART NO.	A29111-031	REV	ECO	DATE	APP
		A	104307	03-23-18	HV



SOCKET #	COLOR
1, 11, 21, 31	BLACK
2, 12, 22	BROWN
3, 13, 23	RED
4, 14, 24	ORANGE
5, 15, 25	YELLOW
6, 16, 26	GREEN
7, 17, 27	BLUE
8, 18, 28	VIOLET
9, 19, 29	GRAY
10, 20, 30	WHITE



INTERNAL USE ONLY  
USE MFG LOADING  
PROCEDURE A29000-031



NOTE:  
DIMENSIONS IN [ ] ARE IN MILLIMETERS UNLESS OTHERWISE NOTED AND ARE FOR REFERENCE ONLY

MNSW LOSUN S/DWV	THIRD ANGLE	THIS DRAWING CONTAINS CONFIDENTIAL AND PROPRIETARY INFORMATION WHICH IS THE PROPERTY OF OMNETICS CONNECTOR CORP. THIS DOCUMENT MAY NOT, IN WHOLE OR IN PART, BE DUPLICATED, OR DISCLOSED FOR ANY PURPOSE, WITHOUT WRITTEN PERMISSION FROM OMNETICS CONNECTOR CORP.		<b>OMNETICS</b>	CAGE CODE 61873	
	-TOLERANCES- UNLESS OTHERWISE NOTED DIMENSIONS IN INCHES	DFTM. HV	DATE 03-05-18		TITLE:	CONNECTOR CORPORATION
	2 PL DEC ± .01	CHK'D.	DATE	(31) SOCKET FEMALE	7260 COMMERCE CIRCLE EAST	SHEET 1 OF 2
	3 PL DEC ± .005	APP'D.	DATE	Bi-Lobe® CONNECTOR	MINNEAPOLIS, MN 55432	REV A
4 PL DEC ± .0005			W/ BACKSHELL	WWW.OMNETICS.COM	SCALE: 3:1	
ANGLES ± 1°						