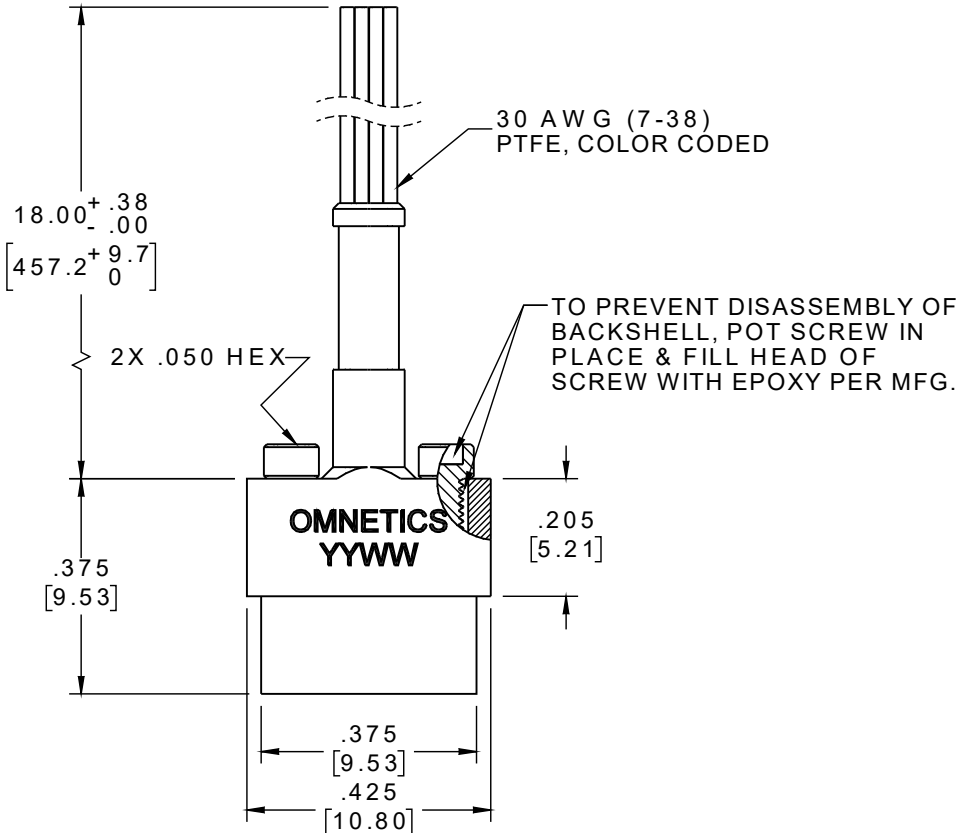
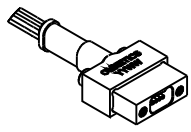


PART NO.	A 29111-009	REV	ECO	DATE	APP
		A	104307	03-23-18	HV

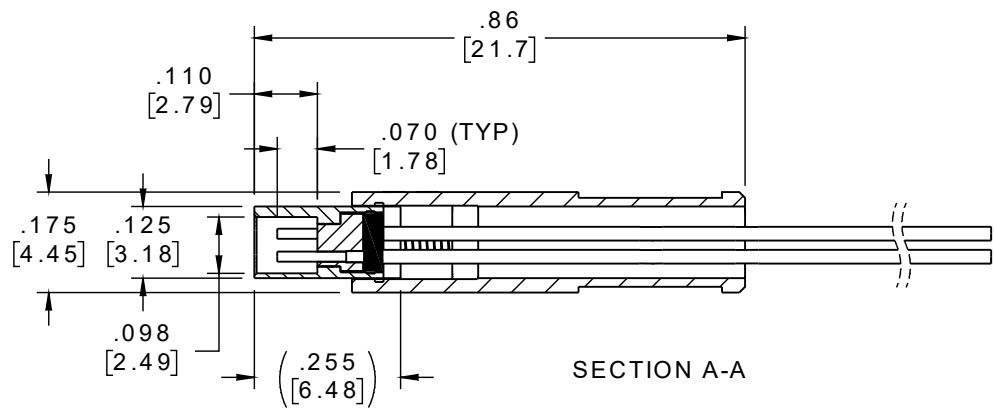
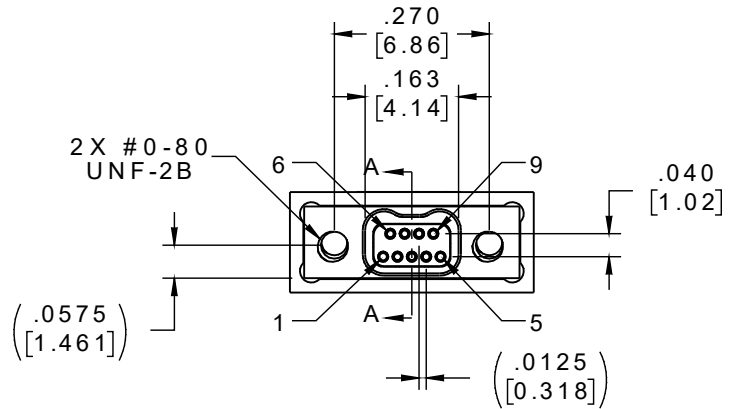


SOCKET #	COLOR
1	BLACK
2	BROWN
3	RED
4	ORANGE
5	YELLOW
6	GREEN
7	BLUE
8	VIOLET
9	GRAY



ACTUAL SIZE
EXCLUDING WIRE LENGTH

INTERNAL USE ONLY
USE MFG LOADING
PROCEDURE A29000-009



NOTE:
DIMENSIONS IN [] ARE IN MILLIMETERS UNLESS OTHERWISE NOTED AND ARE FOR REFERENCE ONLY

MNSW S/DW	THIRD ANGLE	THIS DRAWING CONTAINS CONFIDENTIAL AND PROPRIETARY INFORMATION WHICH IS THE PROPERTY OF OMNETICS CONNECTOR CORP. THIS DOCUMENT MAY NOT, IN WHOLE OR IN PART, BE DUPLICATED, OR DISCLOSED FOR ANY PURPOSE, WITHOUT WRITTEN PERMISSION FROM OMNETICS CONNECTOR CORP.		OMNETICS	CAGE CODE 61873	
	-TOLERANCES- UNLESS OTHERWISE NOTED DIMENSIONS IN INCHES	DFTM. HV	DATE 03-05-18		CONNECTOR CORPORATION	DWG NO. A29111-009
	2 PL DEC ± .01	CHK'D.	DATE	7260 COMMERCE CIRCLE EAST	SHEET 1 OF 2	
	3 PL DEC ± .005	APP'D.	DATE	MINNEAPOLIS, MN 55432	REV	A
4 PL DEC ± .0005			WWW.OMNETICS.COM	SCALE: 3:1		
ANGLES ± 1°						