

PART NO.	A28111-021	REV	ECO	DATE	APP
		A	104304	03-07-18	HV

MATERIALS & SPECIFICATIONS

HOUSING & BACKSHELL:
 ALUMINUM 6061, NICKEL PLATED (500 MICRINCHES MINIMUM) PER SAE-AMS-2404.

INSULATOR:
 LIQUID CRYSTAL POLYMER (LCP) PER ASTM D5138

CONTACT:
 BERYLLIUM COPPER PER ASTM B194, C17200, GOLD PLATED PER ASTM B488, (HARD GOLD) TYPE II CODE C, CLASS 1.27

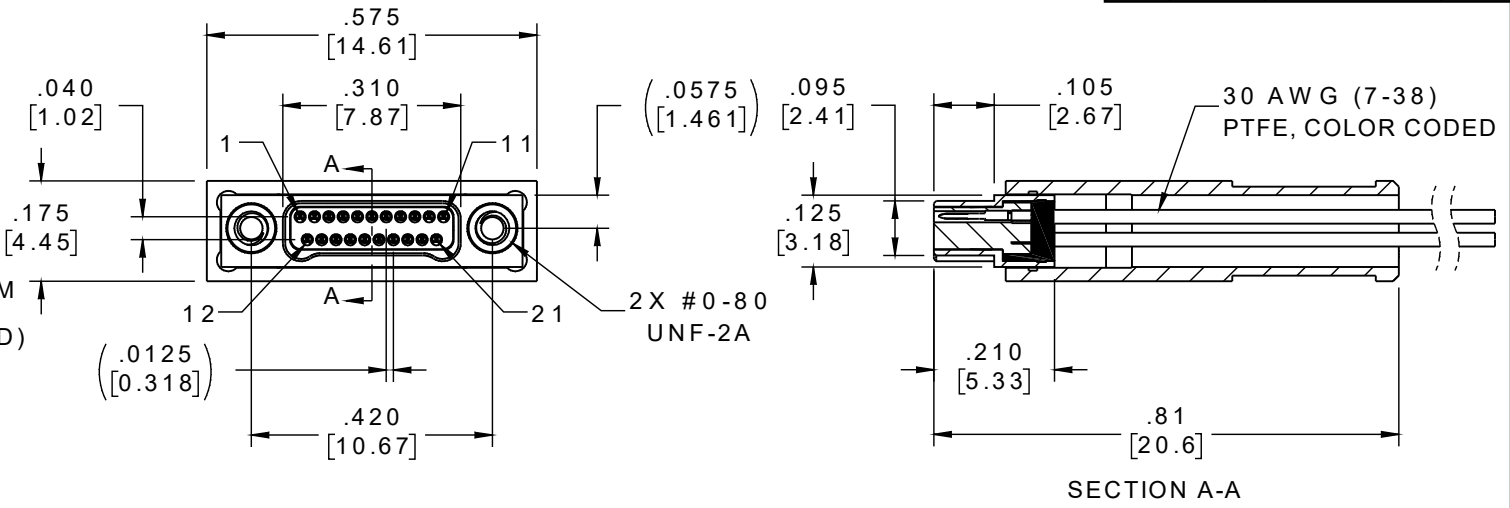
WIRE:
 NEMA HP3 TYPE ET, COLOR CODED IAW MIL-STD-681, SYSTEM 1, USING TEN SOLID REPEATING COLORS

HARDWARE:
 303 STAINLESS STEEL PER ASTM A582

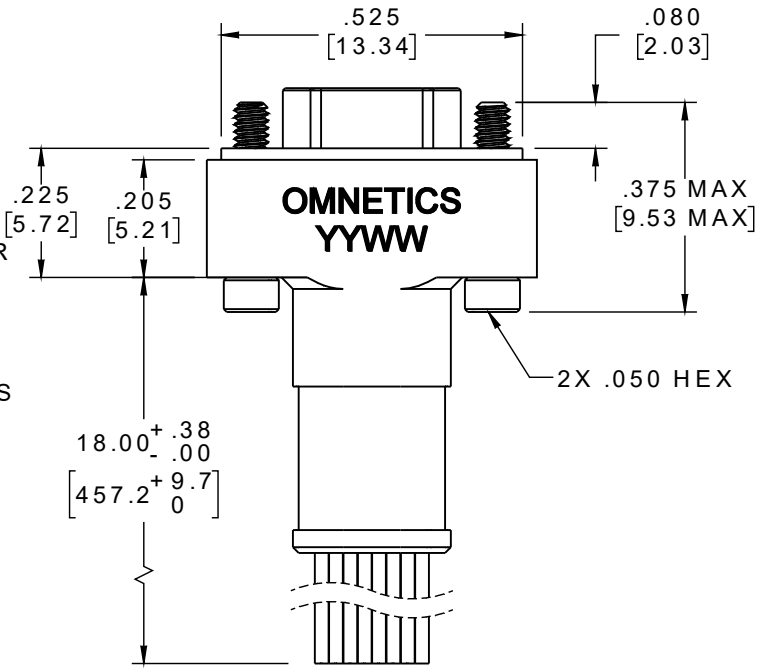
CURRENT RATING:
 1 AMP MAX PER MIL-DTL-32139

CONTACT RESISTANCE:
 71 MILLIOHM MAX (71mV DROP MAX) @ 1.0 AMPS PER MIL-DTL-32139

PERFORMANCE:
 PRODUCT FAMILY TESTED TO AND PASSED THE PERFORMANCE SPECIFICATIONS OF TABLE VIII OF MIL-DTL-32139.

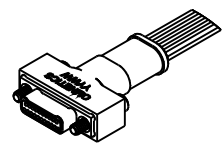


SECTION A-A



PIN #	COLOR
1, 11, 21	BLACK
2, 12	BROWN
3, 13	RED
4, 14	ORANGE
5, 15	YELLOW
6, 16	GREEN
7, 17	BLUE
8, 18	VIOLET
9, 19	GRAY
10, 20	WHITE

INTERNAL USE ONLY
 USE MFG LOADING
 PROCEDURE A28000-021



ACTUAL SIZE
 EXCLUDING WIRE LENGTH

NOTE:

DIMENSIONS IN [] ARE IN MILLIMETERS UNLESS OTHERWISE NOTED AND ARE FOR REFERENCE ONLY

MNP/SLDW	THIRD ANGLE	THIS DRAWING CONTAINS CONFIDENTIAL AND PROPRIETARY INFORMATION WHICH IS THE PROPERTY OF OMNETICS CONNECTOR CORP. THIS DOCUMENT MAY NOT, IN WHOLE OR IN PART, BE DUPLICATED, OR DISCLOSED FOR ANY PURPOSE, WITHOUT WRITTEN PERMISSION FROM OMNETICS CONNECTOR CORP.		OMNETICS	CAGE CODE 61873	
	-TOLERANCES- UNLESS OTHERWISE NOTED DIMENSIONS IN INCHES	DFTM. HV	DATE 03-02-18		DWG NO. A28111-021	
	2 PL DEC ± .01	CHK'D.	DATE	CONNECTOR CORPORATION 7260 COMMERCE CIRCLE EAST MINNEAPOLIS, MN 55432 WWW.OMNETICS.COM		SHEET 1 OF 1
	3 PL DEC ± .005	APP'D.	DATE			REV A
4 PL DEC ± .0005	TITL: (21) PIN MALE Bi-Lobe® CONNECTOR W/BACKSHELL		SCALE: 3:1			
ANGLES ± 1°						