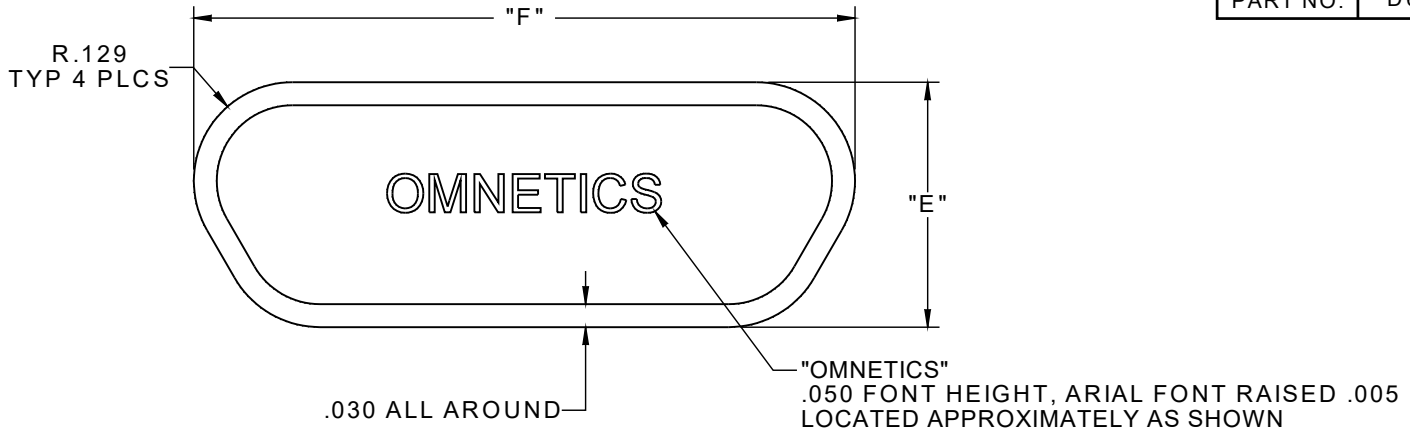
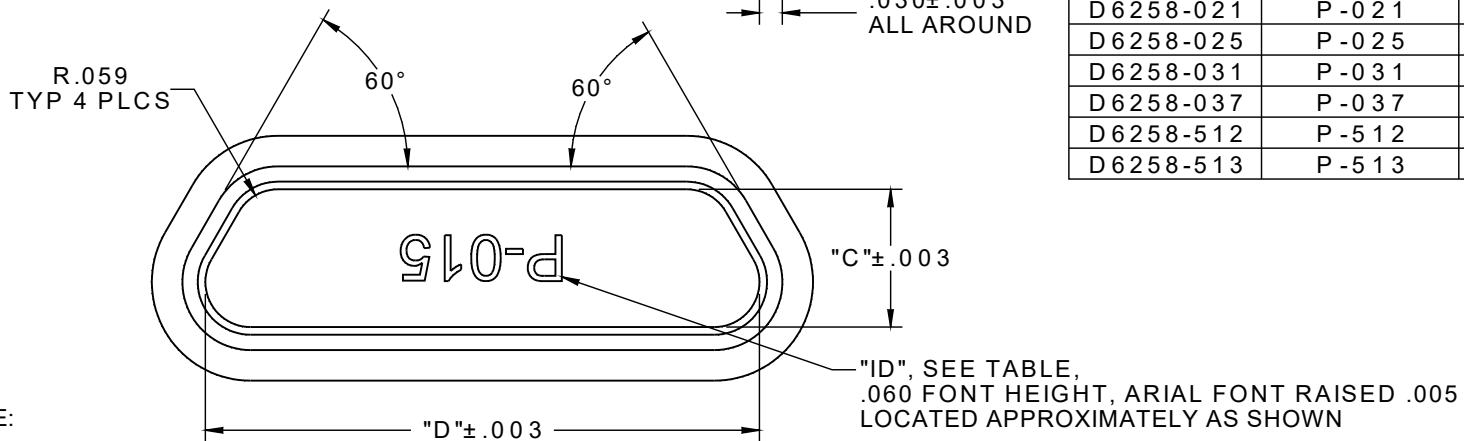
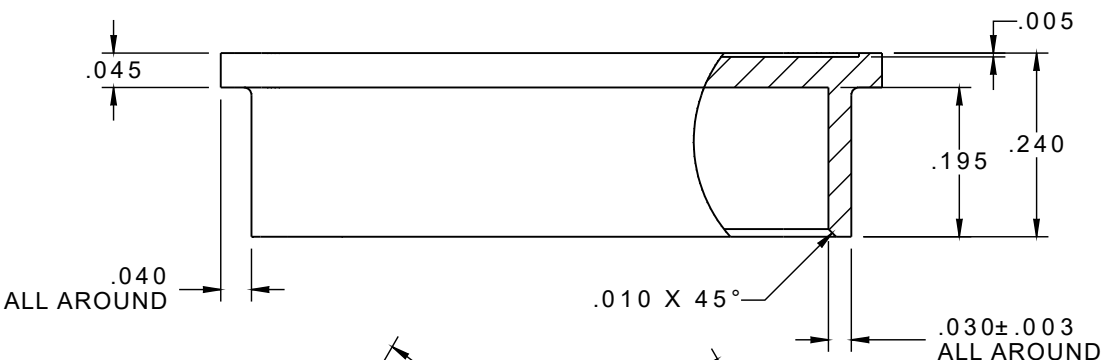


PART NO.	D6258-XXX	REV	ECO	DATE	APP
		B	99321	03-04-13	TLM



ACTUAL SIZE  
(D6258-025 SHOWN)



NOTE:  
ALL REQUIREMENTS FOR  
MANUFACTURING ARE CONTAINED  
ON SHEET 2 ONLY

MATERIAL: CONDUCTIVE  
POLYETHYLENE THAT MEETS THE  
ANTI-STATIC DECAY RATE  
REQUIREMENT OF MIL-PRF-  
81705D  
COLOR: BLACK

PART NO.	"ID"	"C"	"D"	"E"	"F"
D6258-009	P-009	.180	.324	.320	.464
D6258-015	P-015	.180	.474	.320	.614
D6258-021	P-021	.180	.624	.320	.764
D6258-025	P-025	.180	.724	.320	.864
D6258-031	P-031	.180	.874	.320	1.014
D6258-037	P-037	.180	1.024	.320	1.164
D6258-512	P-512	.180	1.374	.320	1.514
D6258-513	P-513	.225	.974	.365	1.114

S/D/S	THIRD ANGLE
	TOLERANCES- UNLESS OTHERWISE NOTED
	DIMENSIONS IN INCHES
	2 PL DEC ± .01 3 PL DEC ± .005 4 PL DEC ± .001 ANGLES ± 1°

THIS DRAWING CONTAINS CONFIDENTIAL AND PROPRIETARY INFORMATION WHICH IS THE PROPERTY OF OMNETICS CONNECTOR CORP. THIS DOCUMENT MAY NOT, IN WHOLE OR IN PART, BE DUPLICATED, OR DISCLOSED FOR ANY PURPOSE, WITHOUT WRITTEN PERMISSION FROM OMNETICS CONNECTOR CORP.	
DFTM. NJS	DATE 02-16-11
CHK'D.	DATE
APP'D.	DATE
TITLE: DUST CAP, MICRO-D MALE BLACK, CONDUCTIVE	

**OMNETICS**  
CONNECTOR CORPORATION  
7260 COMMERCE CIRCLE EAST  
MINNEAPOLIS, MN 55432  
WWW.OMNETICS.COM

CAGE CODE 61873	
DWG NO. D6258-XXX	
SHEET 2 OF 2	REV B
SCALE: 4:1	