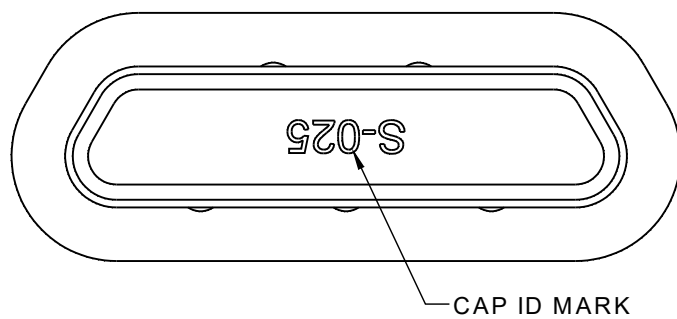
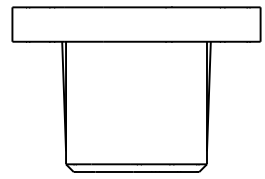
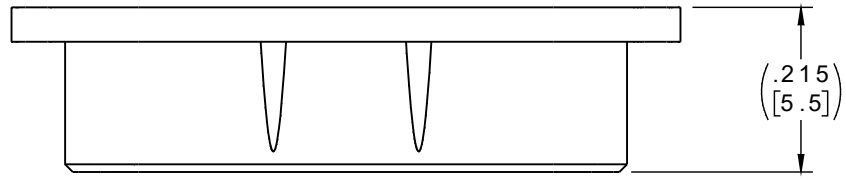
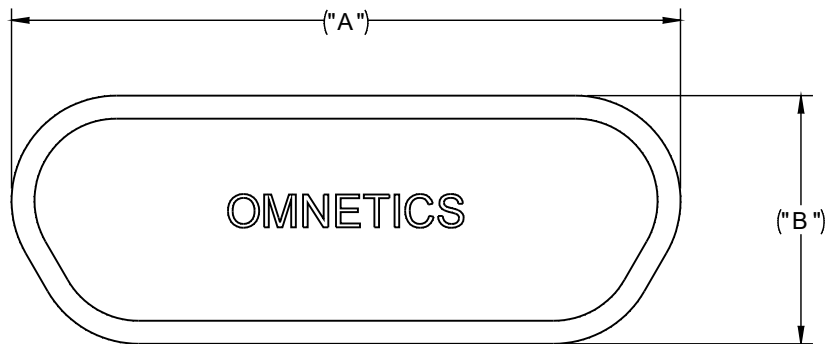


PART NO.	D6257-XXX	REV	ECO	DATE	APP
		C	104923	10-11-18	TLM



PART NO.	"ID"	"A" (IN)	"A" [m m]	"B" (IN)	"B" [m m]
D6257-009	S-009	.47	12.0	.32	8.1
D6257-015	S-015	.62	15.8	.32	
D6257-021	S-021	.77	19.7	.32	
D6257-025	S-025	.87	22.2	.32	
D6257-031	S-031	1.02	26.0	.32	
D6257-037	S-037	1.17	29.8	.32	
D6257-512	S-512	1.52	38.7	.32	8.9
D6257-513	S-513	1.12	28.5	.35	

NOTES:

1. MATERIAL: CONDUCTIVE POLYETHYLENE.
2. COLOR: BLACK.
3. DIMENSIONS IN [] ARE IN MILLIMETERS UNLESS OTHERWISE NOTED AND ARE FOR REFERENCE ONLY.
4. SHEET 2 AND 3 FOR MANUFACTURING PURPOSES ONLY.

ASDW	THIRD ANGLE	THIS DRAWING CONTAINS CONFIDENTIAL AND PROPRIETARY INFORMATION WHICH IS THE PROPERTY OF OMNETICS CONNECTOR CORP. THIS DOCUMENT MAY NOT, IN WHOLE OR IN PART, BE DUPLICATED, OR DISCLOSED FOR ANY PURPOSE, WITHOUT WRITTEN PERMISSION FROM OMNETICS CONNECTOR CORP.			OMNETICS CONNECTOR CORPORATION 7260 COMMERCE CIRCLE EAST MINNEAPOLIS, MN 55432 WWW.OMNETICS.COM	CAGE CODE 61873	
	-TOLERANCES- UNLESS OTHERWISE NOTED	DFTM. NJS	DATE 02-16-11	TITLE: DUST CAP, MICRO-D FEMALE BLACK, CONDUCTIVE		DWG NO. D6257-XXX	
	DIMENSIONS IN INCHES	CHK'D.	DATE			SHEET 1 OF 3	
	2 PL DEC ± .01 3 PL DEC ± .005 4 PL DEC ± .001 ANGLES ± 1°	APP'D.	DATE			REV C	SCALE: 4:1