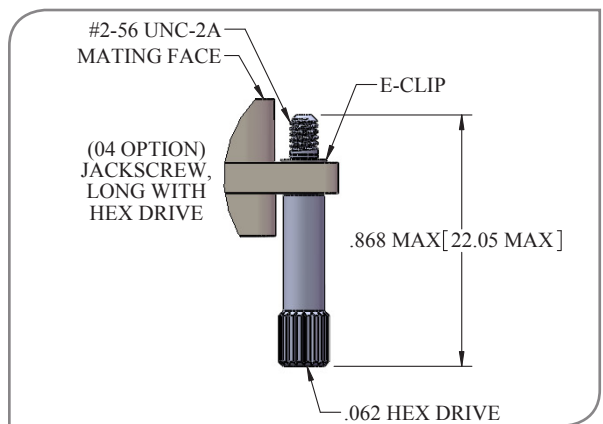
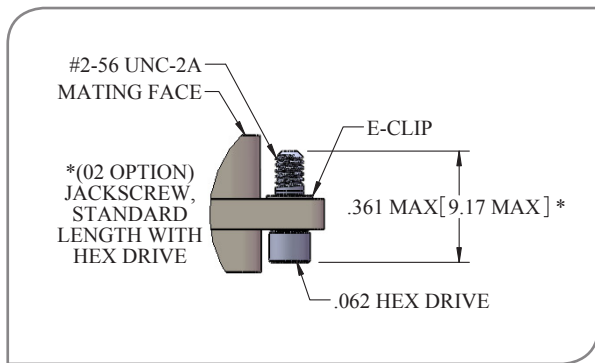
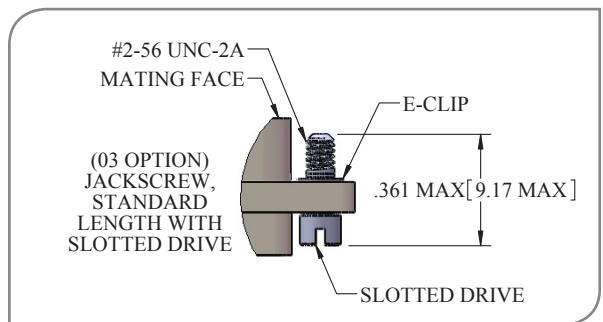
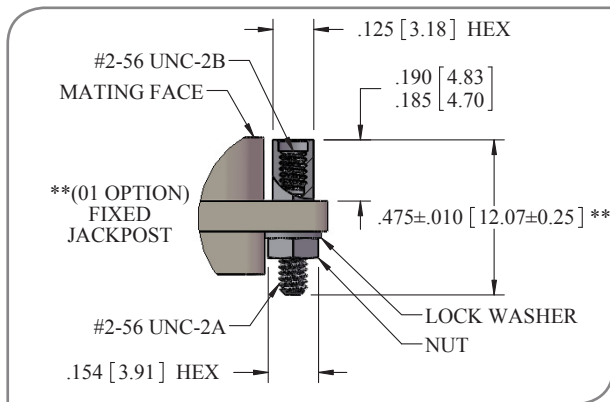
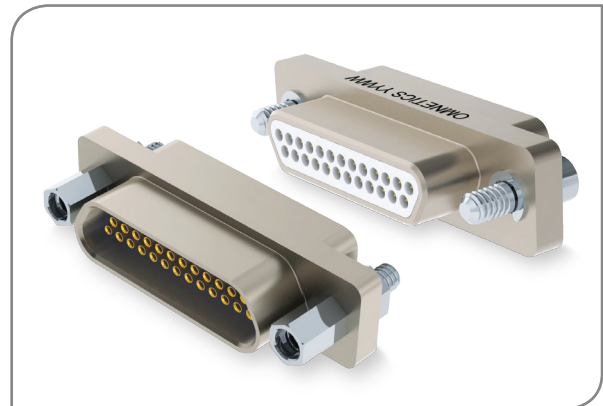
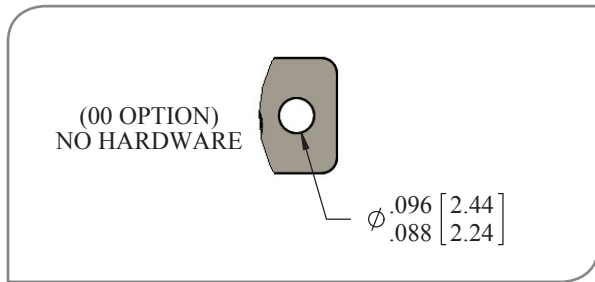
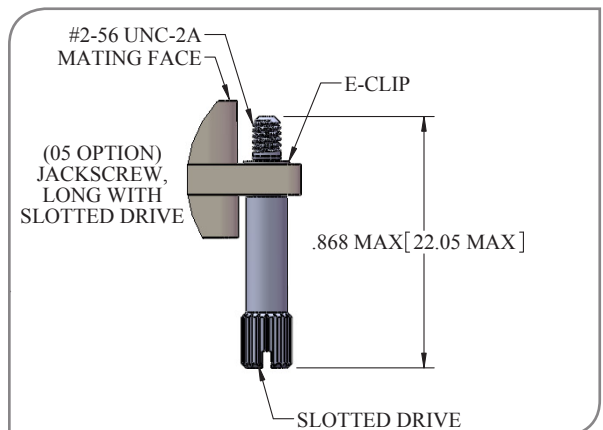


## Hardware Selection

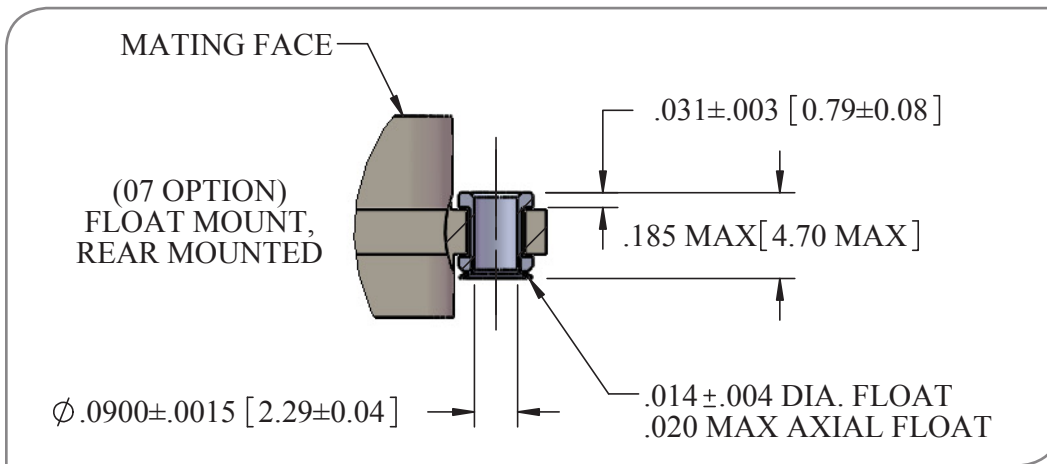
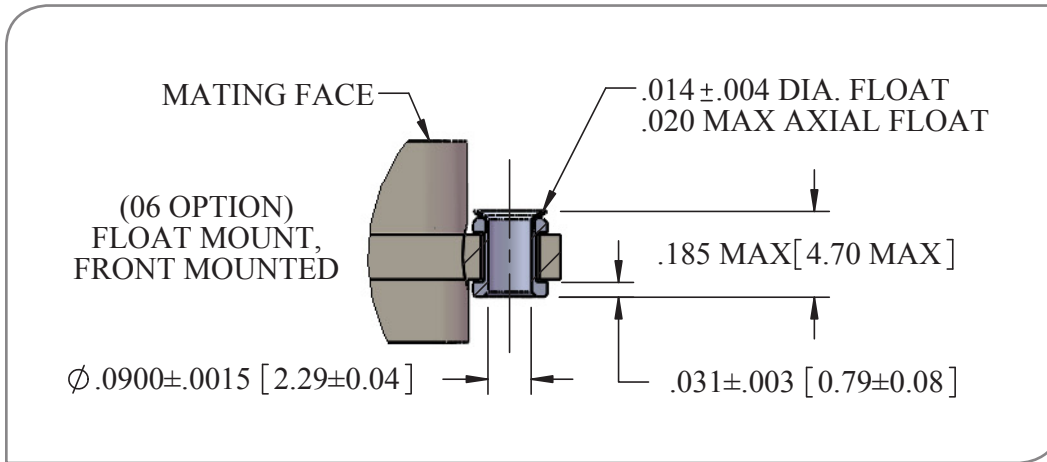


\*FOR ALL TYPES EXCEPT HORIZONTAL SURFACE MOUNT (H0). OVERALL LENGTH FOR STANDARD H0 JACKSCREW IS .485 [12.32] MAX.

\*\*FOR ALL TYPES EXCEPT S2 AND R2. OVERALL LENGTH FOR STANDARD S2 JACKPOST IS .560 [14.22] MAX AND .385 [9.78] MAX FOR R2.



### Hardware Selection Cont...



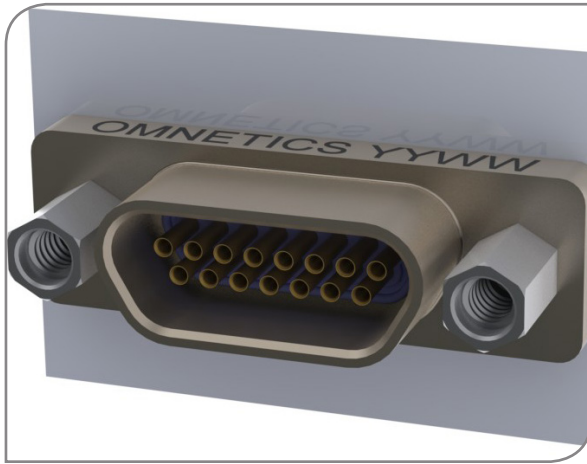
TO ORDER LOOSE HARDWARE SEPARATELY, USE OMNETICS PART NUMBERS BELOW

Kit Description	Omnetics Part #	Hardware Code (Ref)
Jackscrew Assembly, #2-56, Standard Length with Hex Drive	A97007-001	02
Jackscrew Assembly, #2-56, Standard Length with Slotted Drive	A97008-001	03
Jackscrew Assembly, #2-56, Extended Length with Hex Drive	A97007-002	04
Jackscrew Assembly, #2-56, Extended Length with Slotted Drive	A97008-002	05
Jackscrew Assembly, #2-56, Standard Length with Hex Drive* (H0)	A97007-003	02
Jackpost Assembly, Standard	A97009-001	01
Jackpost Assembly, Extended** (S2)	A97009-002	01
Jackpost Assembly, Short** (R2)	A97009-003	01

\*FOR ALL TYPES EXCEPT HORIZONTAL SURFACE MOUNT (H0). OVERALL LENGTH FOR STANDARD H0 JACKSCREW IS  $.485 [12.32]$  MAX.

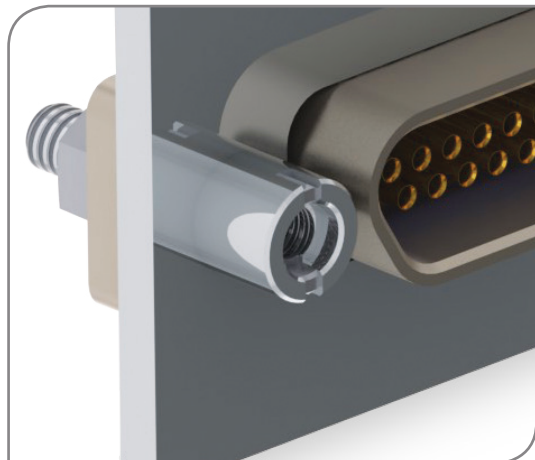
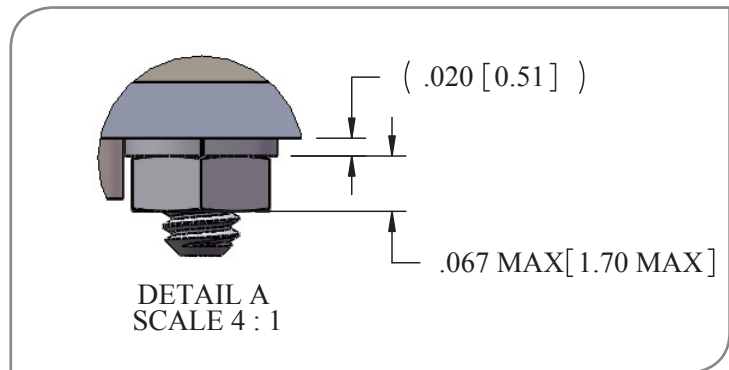
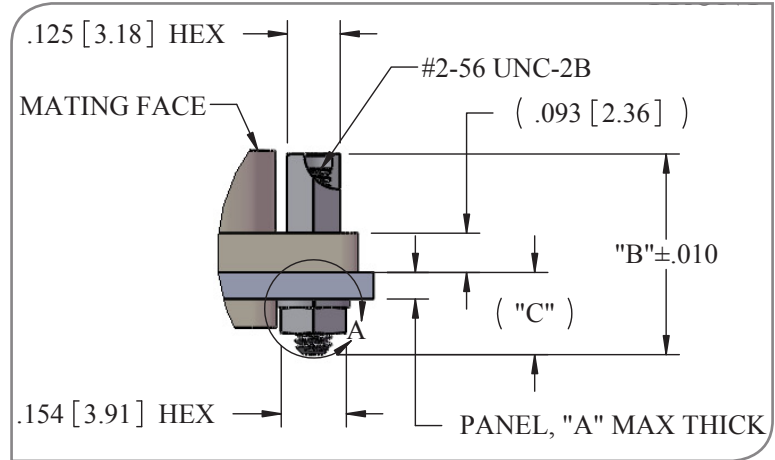
\*\*FOR ALL TYPES EXCEPT S2 AND R2. OVERALL LENGTH FOR STANDARD S2 JACKPOST IS  $.560 [14.22]$  MAX AND  $.385 [9.78]$  MAX FOR R2.

## Panel Mount Hardware Selection



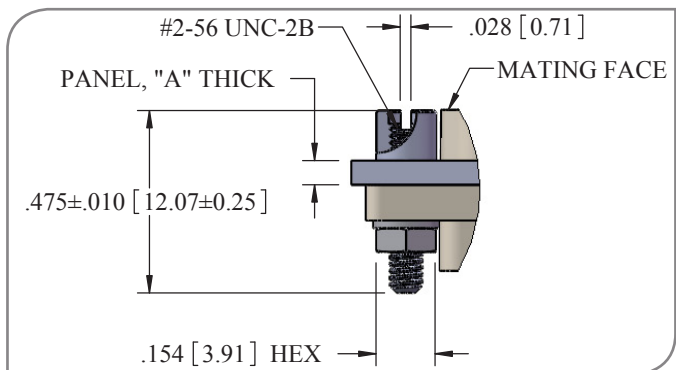
FRONT MOUNT

EACH KIT INCLUDES TWO JACKPOSTS, WASHERS, AND NUTS. FOR USE WITH REGULAR WIRED OR SOLDERCUP MICRO-D CONNECTORS.



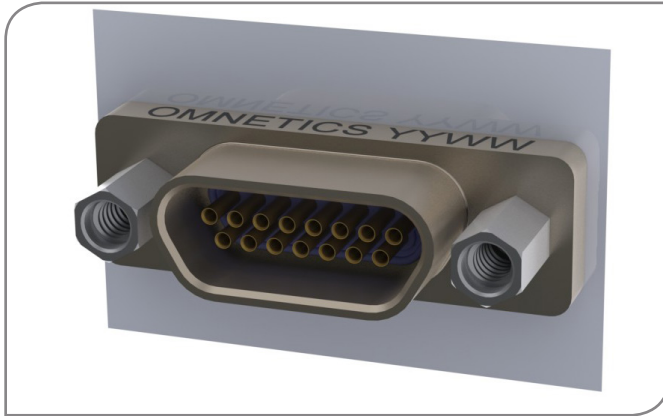
REAR MOUNT

English (IN)			Metric (mm)			Omnetics Part #
"A"	"B"	"C"	"A"	"B"	"C"	
.05	.475	.195	1.3	12.07	4.94	A 97006-001
.13	.550	.270	3.2	13.97	6.85	A 97006-002

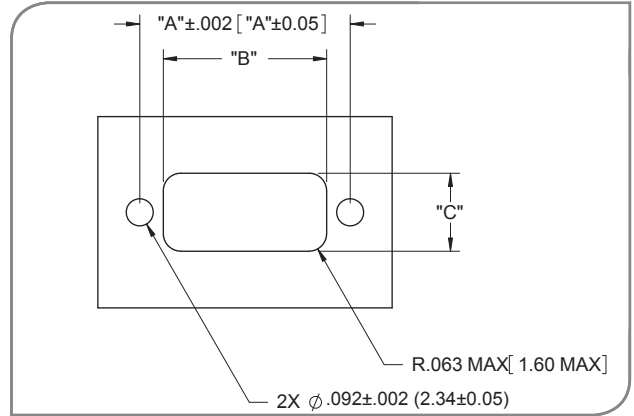


English (IN)		Metric (mm)		Omnetics Part #
"A"		"A"		
MIN	MAX	MIN	MAX	
.027	0.33	.69	.84	A97006-101
.059	0.65	1.50	1.65	A97006-102
.090	0.96	2.29	2.44	A97006-103

### Panel Mount Cut Out

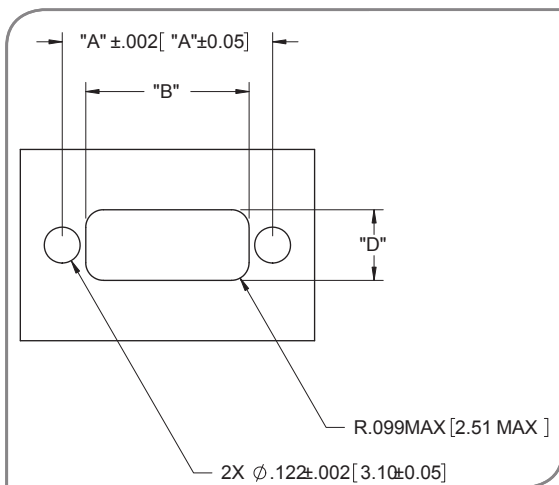


FRONT MOUNTED



Contacts		English (IN)			Metric (mm)		
"n"	Rows	"A"	"B"	"C"	"A"	"B"	"C"
9	2	.565	.405	.275	14.35	10.29	6.99
15	2	.715	.555	.275	18.16	14.10	6.99
21	2	.865	.705	.275	21.97	17.91	6.99
25	2	.965	.805	.275	24.51	20.45	6.99
31	2	1.115	.955	.275	28.32	24.26	6.99
37	2	1.265	1.105	.275	32.13	28.07	6.99
51	2	1.615	1.455	.275	41.02	36.96	6.99
51	3	1.215	1.055	.315	30.86	26.80	8.00

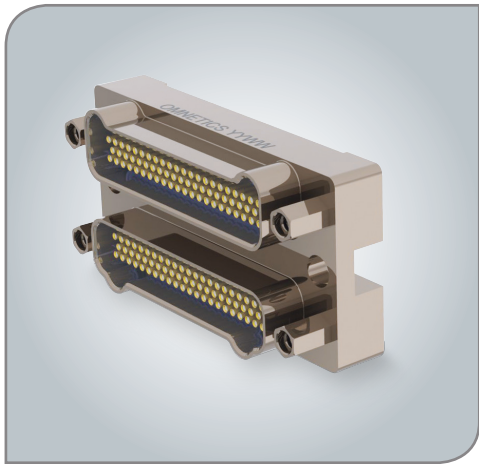
REAR MOUNTED



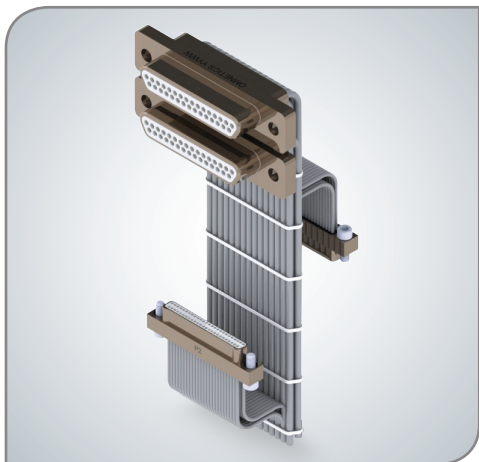
Contacts		English (IN)			Metric (mm)		
"n"	Rows	"A"	"B"	"D"	"A"	"B"	"D"
9	2	.565	.405	.255	14.35	10.29	6.48
15	2	.715	.555	.255	18.16	14.10	6.48
21	2	.865	.705	.255	21.97	17.91	6.48
25	2	.965	.805	.255	24.51	20.45	6.48
31	2	1.115	.955	.255	28.32	24.26	6.48
37	2	1.265	1.105	.255	32.13	28.07	6.48
51	2	1.615	1.455	.255	41.02	36.96	6.48
51	3	1.215	1.055	.298	30.86	26.80	7.57



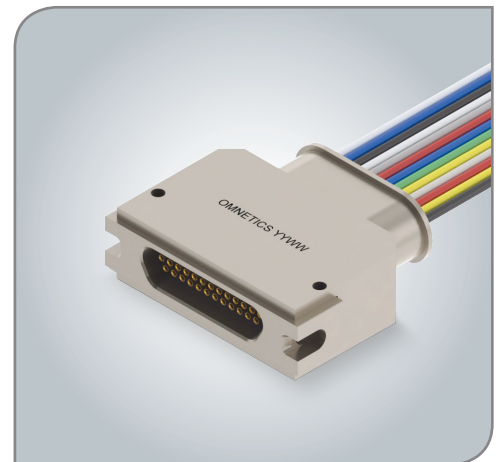
### Didn't Find What You Were Looking For?



OMNETICS PROVIDES A WIDE RANGE OF CAPABILITIES TO DESIGN AND CREATE CONNECTORS THAT FIT YOUR INDIVIDUAL NEEDS.



CUSTOM HOUSINGS  
MULTI-BODY  
SPECIAL MOUNTING  
SEALING  
CUSTOM JUMPERS  
MICRO-D TO ANY  
STYLE CONNECTOR  
MULTI-CONNECTOR  
HARNESSING



CUSTOM BACKSHELLS

CUSTOM OVERMOLDS

