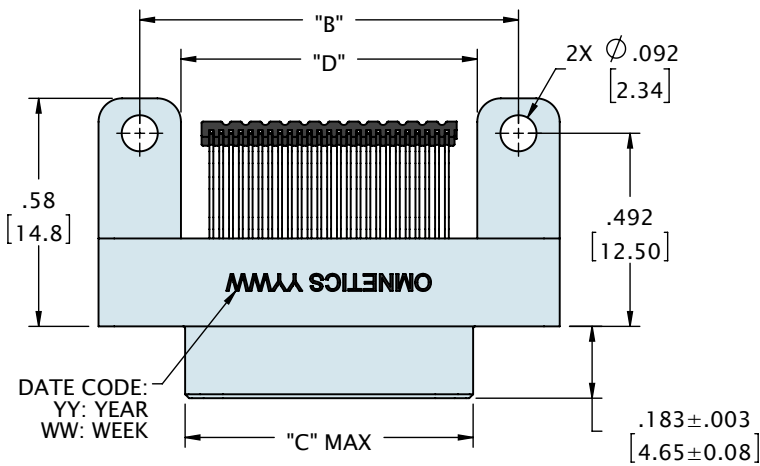
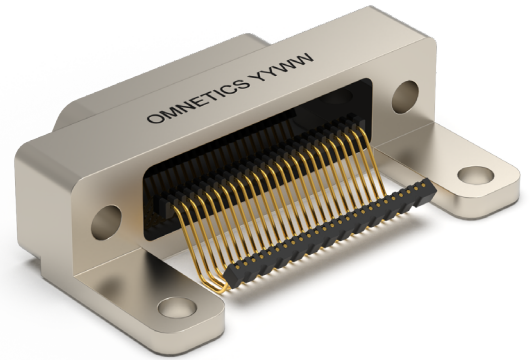
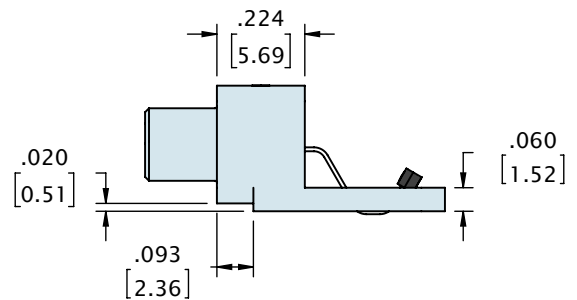
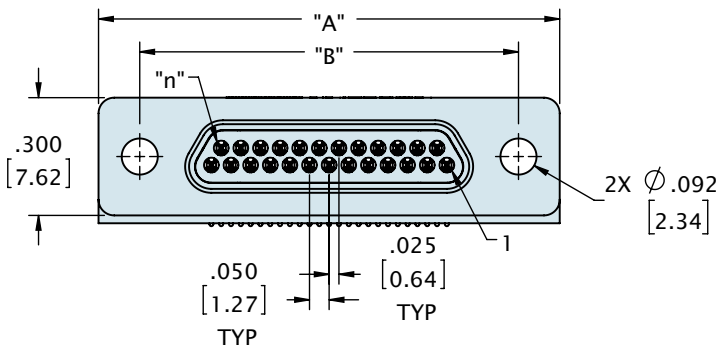
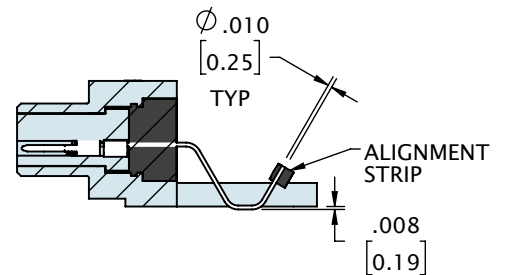


METAL SHELL MICRO-D HORIZONTAL SURFACE MOUNT (TYPE HO)



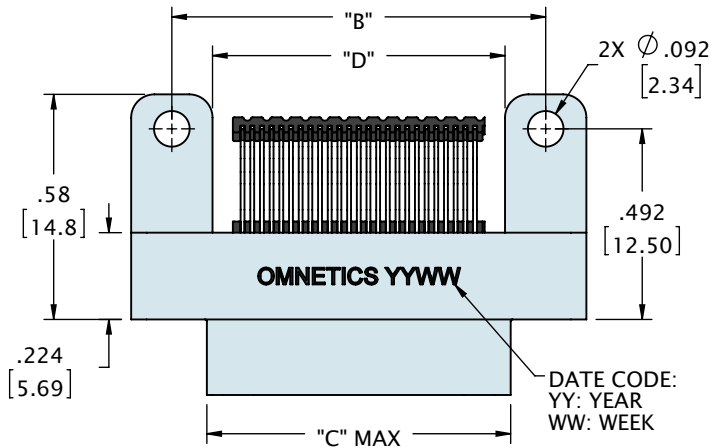
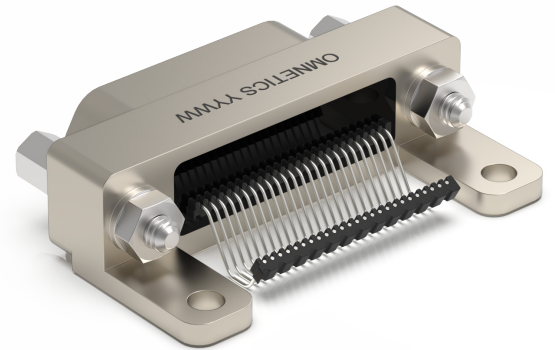
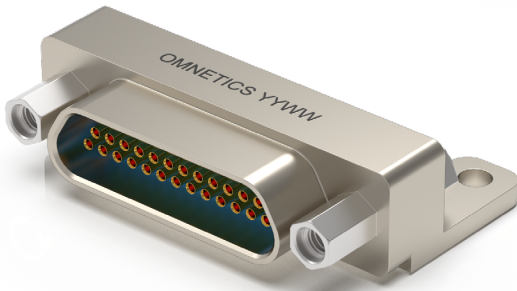
See page 156 for recommended board layout



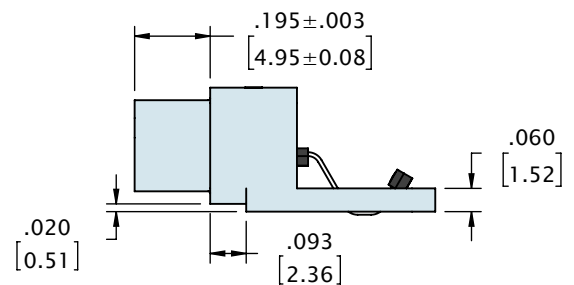
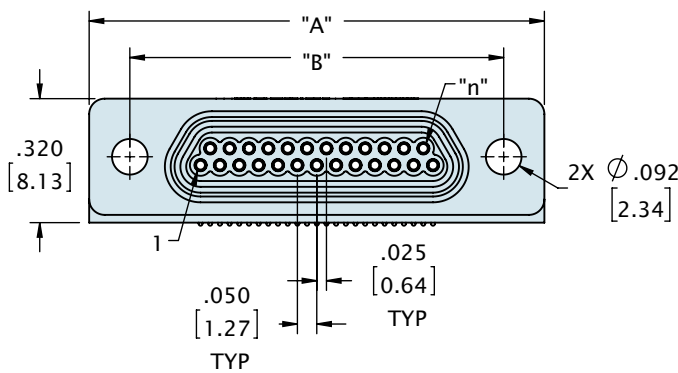
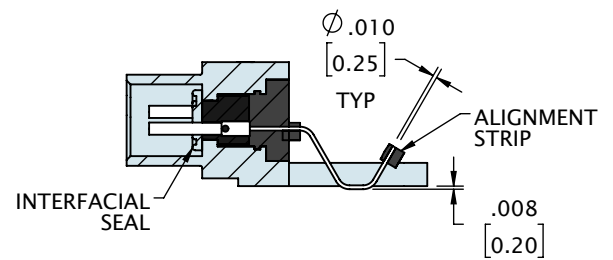
CONTACTS	ROWS	"A"	"B"	"C"	"D"
9	2	.775 [19.69]	.565 [14.35]	.334 [8.48]	.355 [9.02]
15	2	.925 [23.50]	.715 [18.16]	.484 [12.29]	.505 [12.83]
21	2	1.075 [27.31]	.865 [21.97]	.634 [16.10]	.655 [16.64]
25	2	1.175 [29.85]	.965 [24.51]	.734 [18.64]	.755 [19.18]
31	2	1.325 [33.66]	1.115 [28.32]	.884 [22.45]	.905 [22.99]
37	2	1.475 [37.47]	1.265 [32.13]	1.034 [26.26]	1.055 [26.80]
51	2	1.825 [46.36]	1.615 [41.02]	1.384 [35.15]	1.405 [35.69]

DIMENSIONS IN [] ARE IN MILLIMETERS AND ARE FOR REFERENCE ONLY

METAL SHELL MICRO-D HORIZONTAL SURFACE MOUNT (TYPE HO)



See page 156 for recommended board layout



CONTACTS	ROWS	"A"	"B"	"C"	"D"
9	2	.775 [19.69]	.565 [14.35]	.400 [10.17]	.355 [9.02]
15	2	.925 [23.50]	.715 [18.16]	.550 [13.98]	.505 [12.83]
21	2	1.075 [27.31]	.865 [21.97]	.700 [17.79]	.655 [16.64]
25	2	1.175 [29.85]	.965 [24.51]	.800 [20.33]	.755 [19.18]
31	2	1.325 [33.66]	1.115 [28.32]	.950 [24.14]	.905 [22.99]
37	2	1.475 [37.47]	1.265 [32.13]	1.100 [27.95]	1.055 [26.80]
51	2	1.825 [46.36]	1.615 [41.02]	1.450 [36.84]	1.405 [35.69]

DIMENSIONS IN [] ARE IN MILLIMETERS AND ARE FOR REFERENCE ONLY