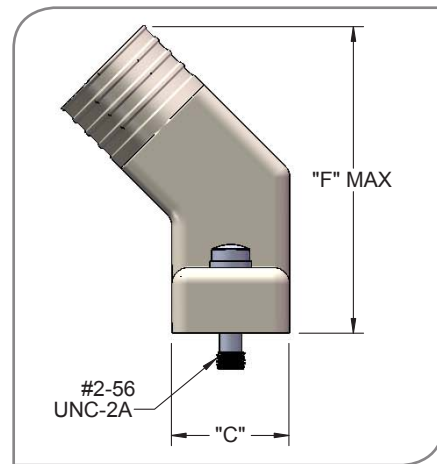
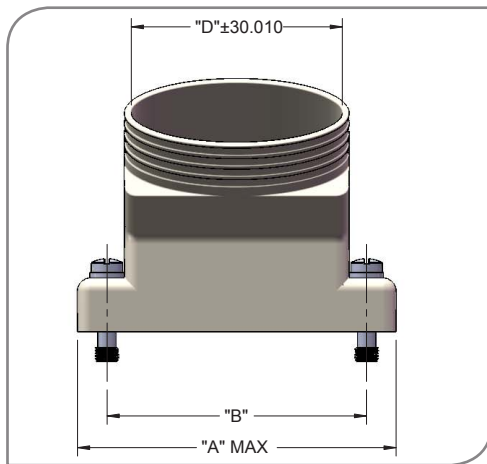
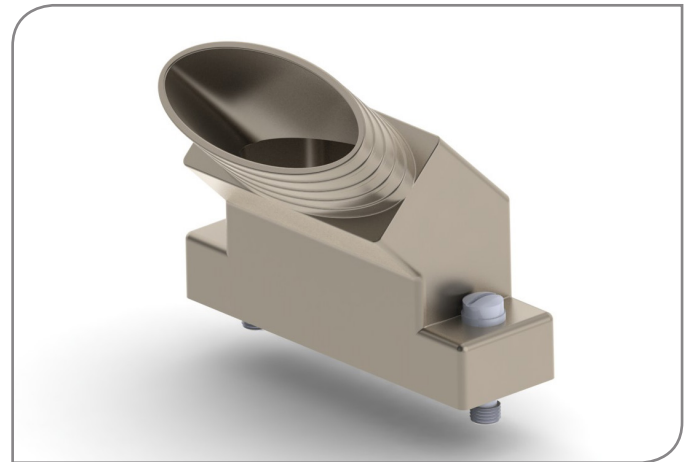
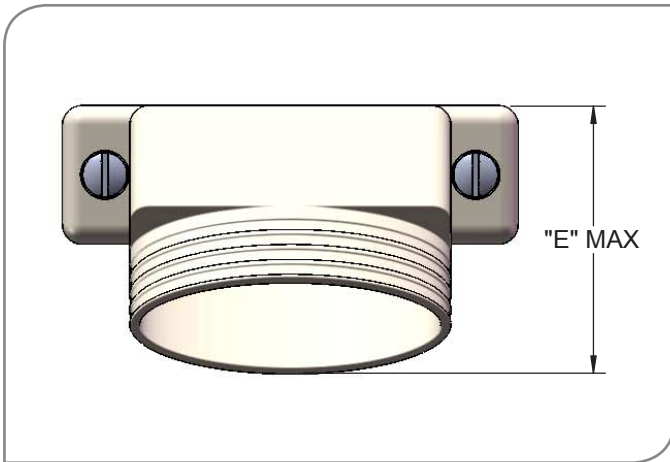


Micro-D

Hardware & Misc

45 Degree Elliptical Entry, Micro-D Backshell



NOTE:
 BACKSHELL MATERIAL: ALUMINUM ALLOY
 FINISH: .0007/.0010 ELECTROLESS NICKEL PER SAE
 AMS-2404 CLASS 3 OR 4 GRADE B
 HARDWARE: PASSIVATED STAINLESS STEEL,
 E-CLIPS (NOT SHOWN).

EACH KIT INCLUDES:
 BACKSHELL, TWO SCREWS AND
 TWO RETAINING CLIPS. ORDER
 ONE KIT PER CONNECTOR

Contacts

English (IN)

Metric (mm)

Omnetics														
Part #	"n"	Rows	"A"	"B"	"C"	"D"	"E"	"F"	"A"	"B"	"C"	"D"	"E"	"F"
A97003-009	9	2	.785	.565	.340	.344	.673	.851	19.94	14.35	8.64	8.74	17.09	21.62
A97003-015	15	2	.935	.715	.340	.494	.673	.876	23.75	18.16	8.64	12.55	17.09	22.25
A97003-021	21	2	1.085	.865	.340	.644	.673	.901	27.56	21.97	8.64	16.36	17.09	22.89
A97003-025	25	2	1.185	.965	.360	.744	.700	.943	30.10	24.51	9.14	18.19	17.78	23.95
A97003-031	31	2	1.335	1.115	.360	.894	.700	.963	33.91	28.32	9.14	22.71	17.78	24.46
A97003-037	37	2	1.485	1.265	.360	.994	.700	.983	37.72	32.13	9.14	25.25	17.78	24.97
A97003-513	51	3	1.435	1.215	.400	1.044	.755	1.058	36.45	30.86	10.16	26.52	19.18	26.87