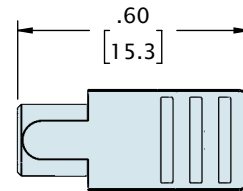
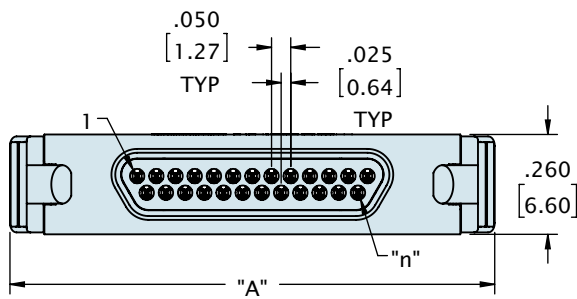
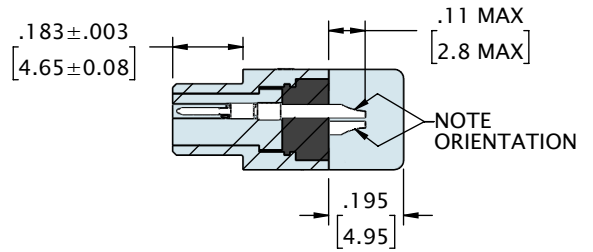
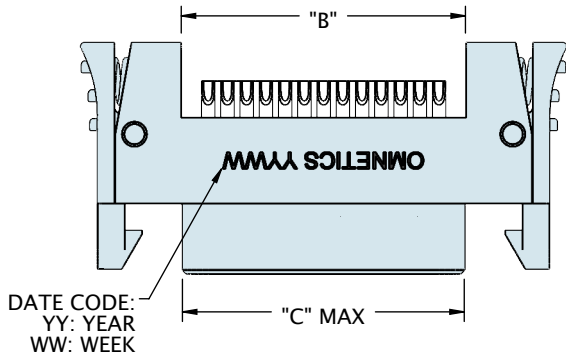
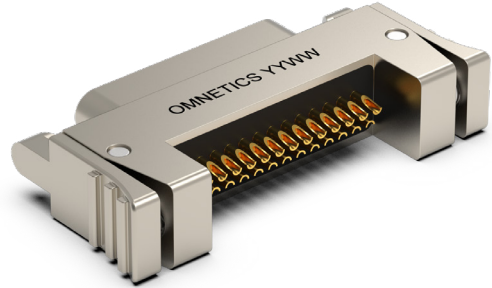


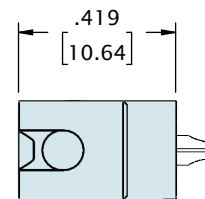
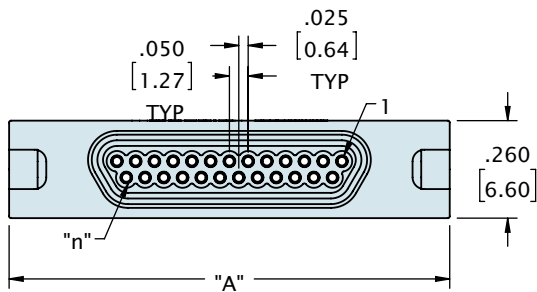
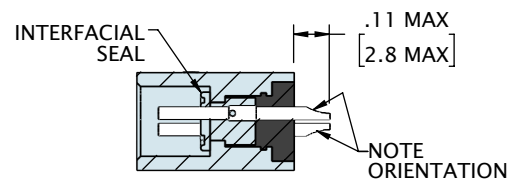
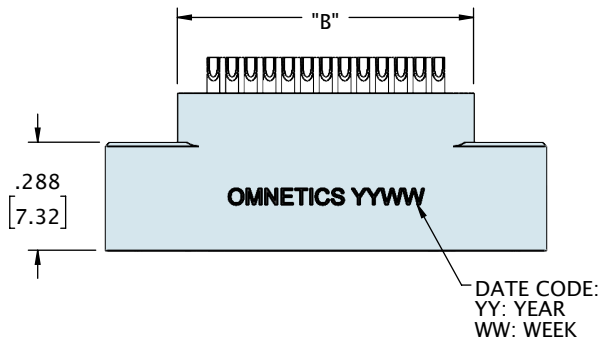
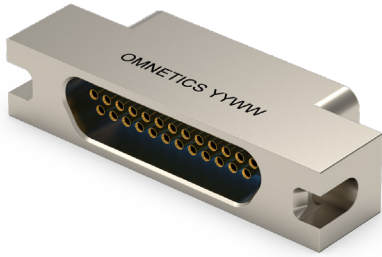
LATCHING MICRO-D SOLDER CUP (TYPE SS)



| CONTACTS | ROWS | "A" | "B" | "C" |
|----------|------|-------------|--------------|---------------|
| 9 | 2 | .86 [21.8] | .340 8.636 | .334 [8.48] |
| 15 | 2 | 1.01 [25.7] | .490 12.446 | .484 [12.29] |
| 21 | 2 | 1.16 [29.5] | .640 16.256 | .634 [16.10] |
| 25 | 2 | 1.26 [32.0] | .740 18.796 | .734 [18.64] |
| 31 | 2 | 1.41 [35.8] | .890 22.606 | .884 [22.45] |
| 37 | 2 | 1.56 [39.6] | 1.040 26.416 | 1.034 [26.26] |
| 51 | 2 | 1.91 [48.5] | 1.390 35.306 | 1.384 [35.15] |

DIMENSIONS IN [] ARE IN MILLIMETERS AND ARE FOR REFERENCE ONLY

LATCHING MICRO-D SOLDER CUP (TYPE SS)



| CONTACTS | ROWS | "A" | "B" |
|----------|------|---------------|---------------|
| 9 | 2 | .775 [19.69] | .390 [9.91] |
| 15 | 2 | .925 [23.50] | .540 [13.72] |
| 21 | 2 | 1.075 [27.31] | .690 [17.53] |
| 25 | 2 | 1.175 [29.85] | .790 [20.07] |
| 31 | 2 | 1.325 [33.66] | .940 [23.88] |
| 37 | 2 | 1.475 [37.47] | 1.090 [27.69] |
| 51 | 2 | 1.825 [46.36] | 1.440 [36.58] |

DIMENSIONS IN [] ARE IN MILLIMETERS AND ARE FOR REFERENCE ONLY