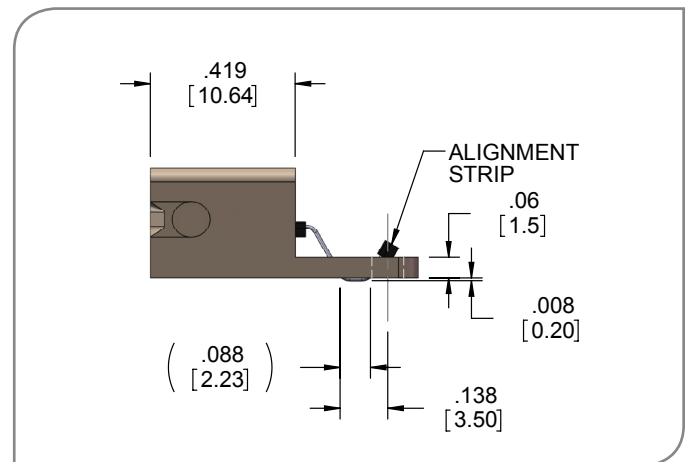
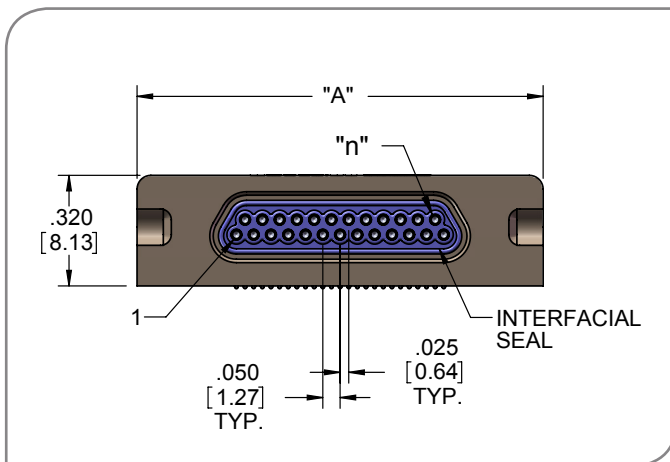
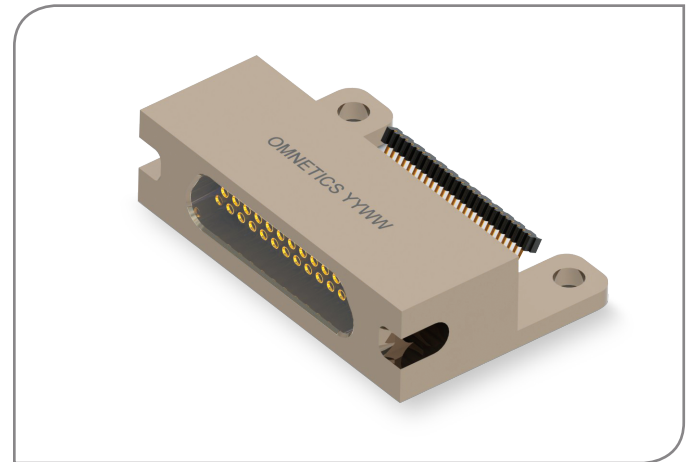
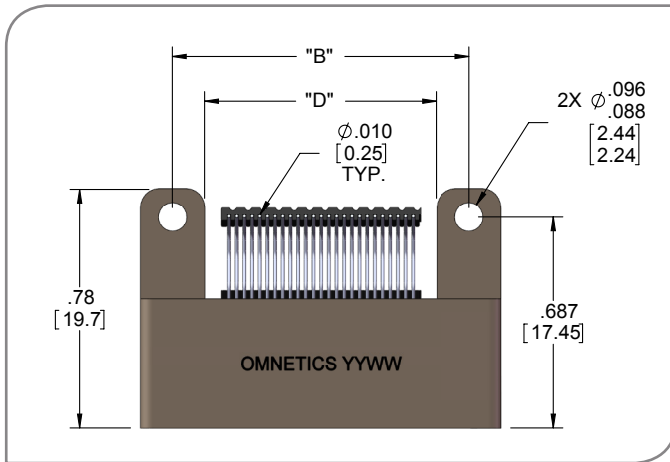


Micro-D

Latching Micro-D

▀ Latching Micro-D Female Horizontal Surface Mount (TYPE H0)



▀ Contacts

▀ English (IN)

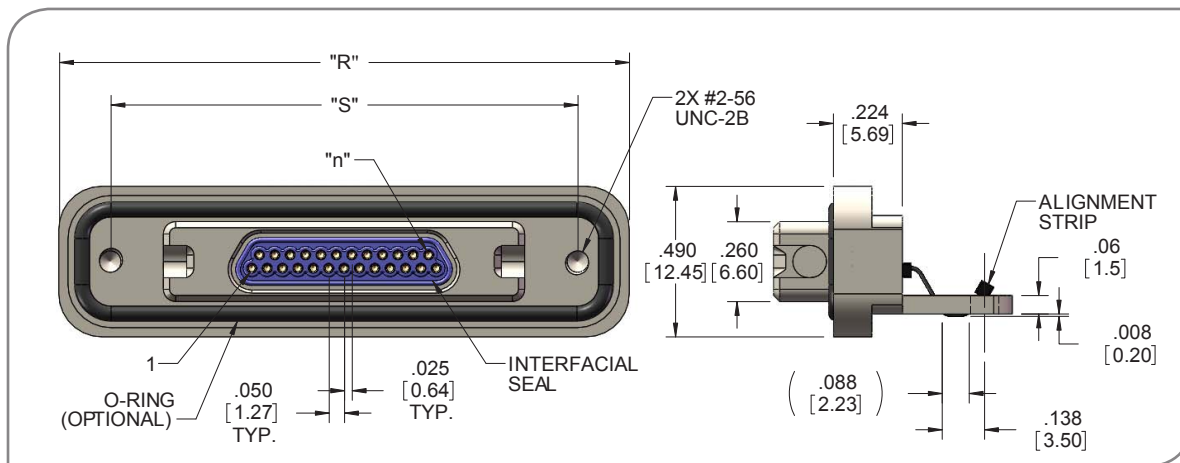
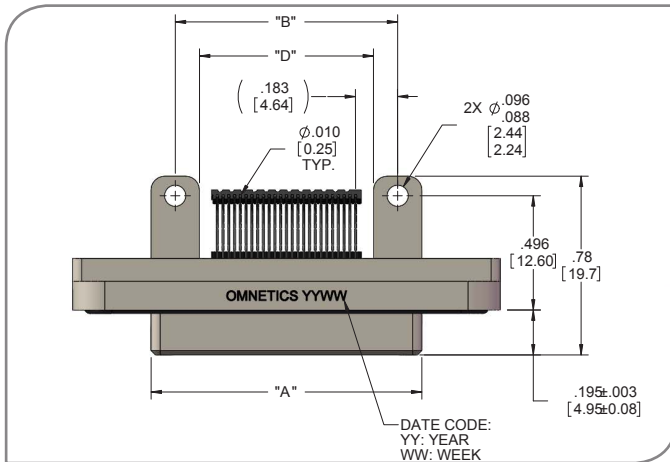
▀ Metric (mm)

"n"	Rows	"A"	"B"	"D"	"A"	"B"	"D"
9	2	.775	.565	.355	19.69	14.35	9.02
15	2	.925	.715	.505	23.50	18.16	12.83
21	2	1.075	.865	.655	27.31	21.97	16.64
25	2	1.175	.965	.755	29.85	24.51	19.18
31	2	1.325	1.115	.905	33.66	28.32	22.99
37	2	1.475	1.265	1.055	37.47	32.13	26.80
51	2	1.825	1.615	1.405	46.36	41.02	35.69

Micro-D

Latching Micro-D

▀ Latching Micro-D Female Horizontal Surface Mount Panel Mount (TYPE H0)



52

▀ Contacts

▀ English (IN)

▀ Metric (mm)

"n"	Rows	"A"	"B"	"D"	"R"	"S"	"A"	"B"	"D"	"R"	"S"
9	2	.775	.565	.355	1.455	1.120	19.69	14.35	9.02	36.96	28.45
15	2	.925	.715	.505	1.605	1.270	23.50	18.16	12.83	40.77	32.26
21	2	1.075	.865	.655	1.755	1.420	27.31	21.97	16.64	44.58	36.07
25	2	1.175	.965	.755	1.855	1.520	29.85	24.51	19.18	47.12	38.61
31	2	1.325	1.115	.905	2.005	1.670	33.66	28.32	22.99	50.93	42.42
37	2	1.475	1.265	1.055	2.155	1.820	37.47	32.13	26.80	54.74	46.23
51	2	1.825	1.615	1.405	2.505	2.170	46.36	41.02	35.69	63.63	55.12