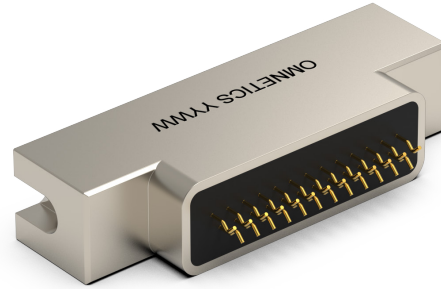
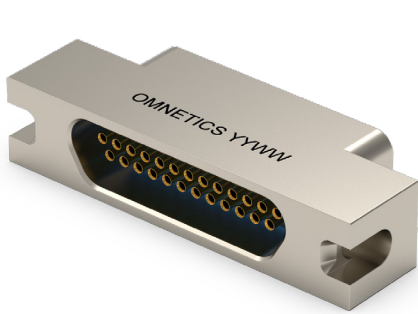
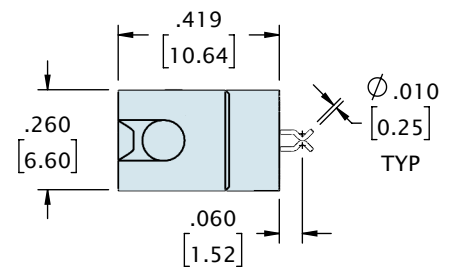
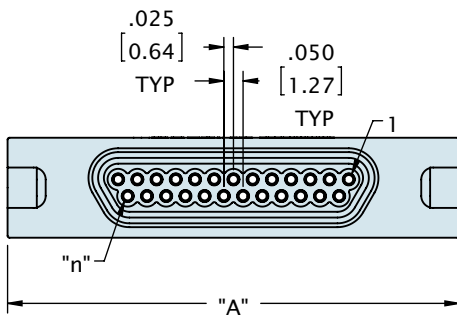
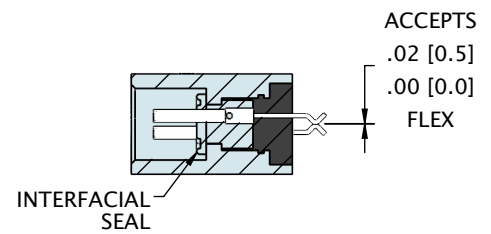
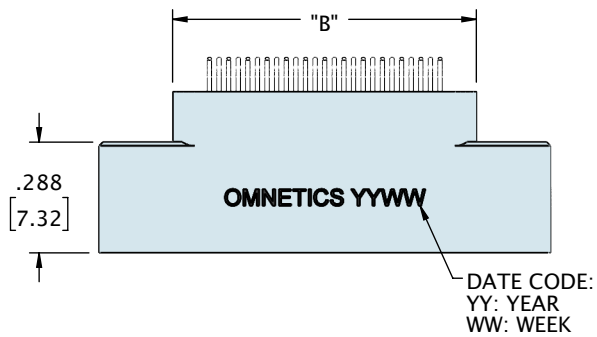


LATCHING MICRO-D FLEX TAIL (TYPE FF)



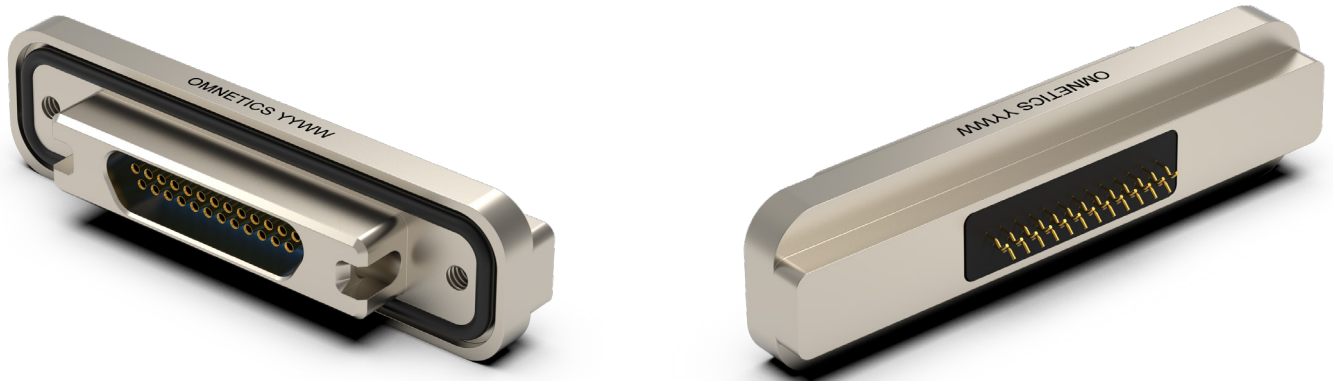
See page 157 for recommended board layout



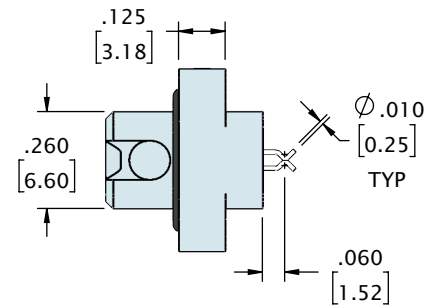
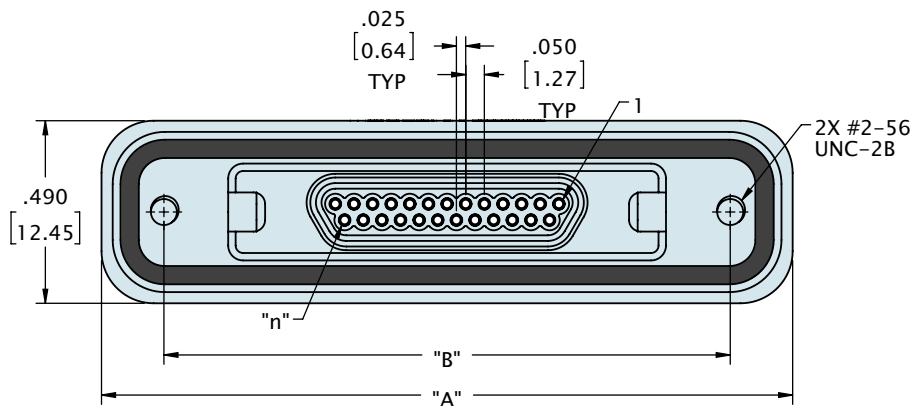
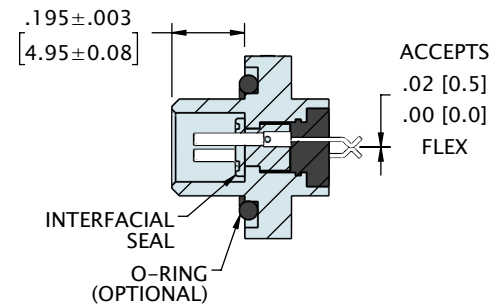
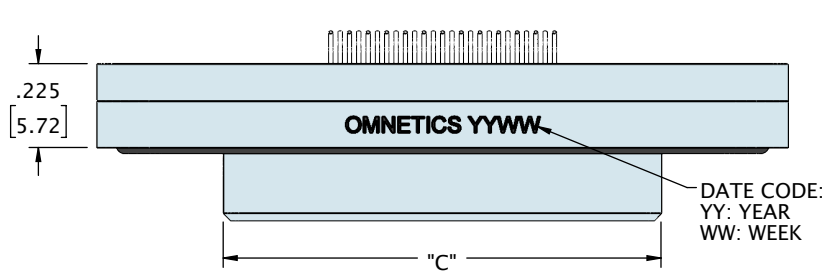
CONTACTS	ROWS	"A"	"B"
9	2	.775 [19.69]	.390 [9.91]
15	2	.925 [23.50]	.540 [13.72]
21	2	1.075 [27.31]	.690 [17.53]
25	2	1.175 [29.85]	.790 [20.07]
31	2	1.325 [33.66]	.940 [23.88]
37	2	1.475 [37.47]	1.090 [27.69]
51	2	1.825 [46.36]	1.440 [36.58]

DIMENSIONS IN [] ARE IN MILLIMETERS AND ARE FOR REFERENCE ONLY

LATCHING MICRO-D FLEX TAIL (TYPE FF)



See page 157 for recommended board layout



CONTACTS	ROWS	"A"	"B"	"C"
9	2	1.455 [36.96]	1.120 [28.45]	.775 [19.69]
15	2	1.605 [40.77]	1.270 [32.26]	.925 [23.50]
21	2	1.755 [44.58]	1.420 [36.07]	1.075 [27.31]
25	2	1.855 [47.12]	1.520 [38.61]	1.175 [29.85]
31	2	2.005 [50.93]	1.670 [42.42]	1.325 [33.66]
37	2	2.155 [54.74]	1.820 [46.23]	1.475 [37.47]
51	2	2.505 [63.63]	2.170 [55.12]	1.825 [46.36]

DIMENSIONS IN [] ARE IN MILLIMETERS AND ARE FOR REFERENCE ONLY