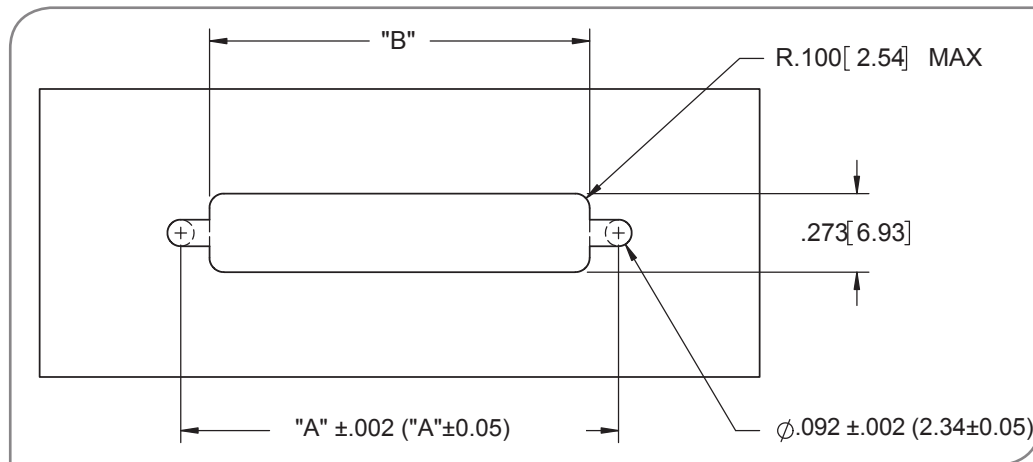


Micro-D

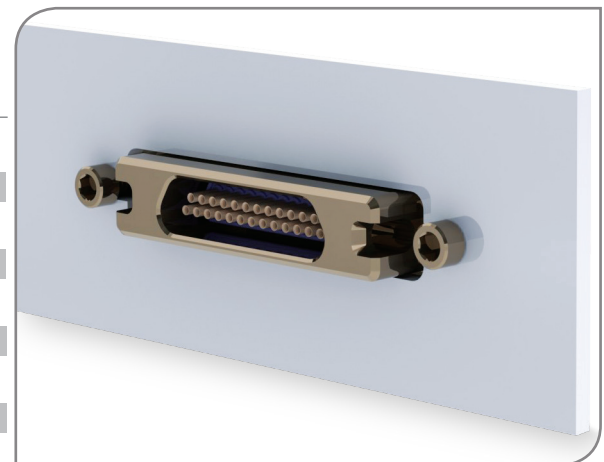
Hardware & Misc

▀ Latching Panel Mount Cut Out

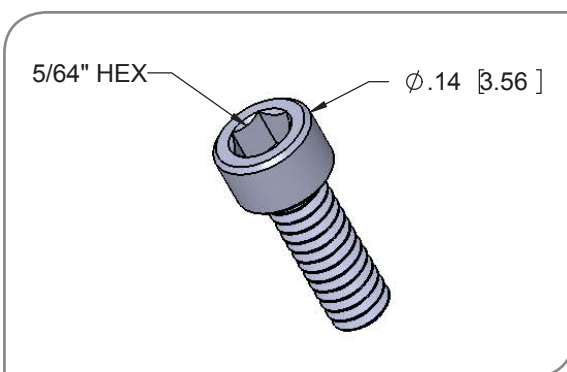


▀ Contacts ▀ English (IN) ▀ Metric (mm)

| "n" | Rows | "A" | "B" | "A" | "B" |
|-----|------|-------|-------|-------|-------|
| 9 | 2 | 1.120 | .920 | 28.45 | 23.37 |
| 15 | 2 | 1.270 | 1.070 | 32.26 | 27.18 |
| 21 | 2 | 1.420 | 1.220 | 36.07 | 30.99 |
| 25 | 2 | 1.520 | 1.320 | 38.61 | 33.53 |
| 31 | 2 | 1.670 | 1.470 | 42.42 | 37.34 |
| 37 | 2 | 1.820 | 1.620 | 46.23 | 41.15 |
| 51 | 2 | 2.170 | 1.970 | 55.12 | 50.04 |



REAR MOUNTED (Latching Micro-D Shown)



▀ Panel Thickness

| ▀ English (IN) | ▀ Metric (mm) | ▀ Omnetics Part # |
|----------------|---------------|-------------------|
| .010 - .045 | 0.25 - 1.14 | D6292-156 |
| .045 - .094 | 1.14 - 2.39 | D6292-187 |

SCREWS SOLD INDIVIDUALLY, ORDER TWO PER CONNECTOR.

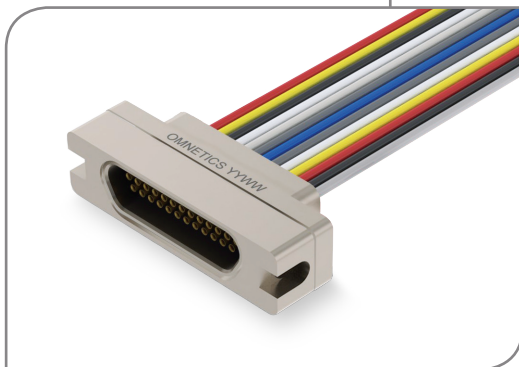
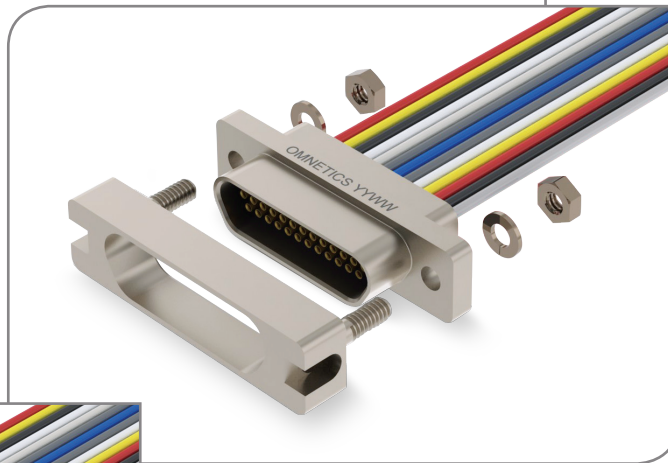
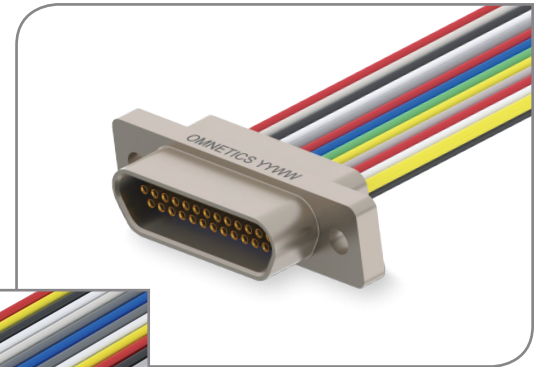
Micro-D

Hardware & Misc

► 'No Tools Required' Adapter

Latching Micro-D Conversion Kit

Any Standard Micro-D connector with access to the back of the connector flange can be converted to a Latching Micro-D. With Omnetics' rugged latching systems, the need for tools is eliminated without compromising the performance expected from a Micro-D connector.



► Contacts

► Omnetics Part No.

| "n" | Rows | |
|-----|------|------------|
| 9 | 2 | A99018-009 |
| 15 | 2 | A99018-015 |
| 21 | 2 | A99018-021 |
| 25 | 2 | A99018-025 |
| 31 | 2 | A99018-031 |
| 37 | 2 | A99018-037 |
| 51 | 2 | A99018-051 |

*Patent Pending

Visit Omnetics' website for further technical or contact information at www.omnetics.com