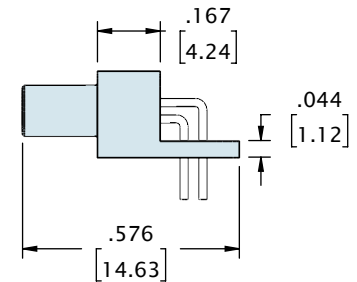
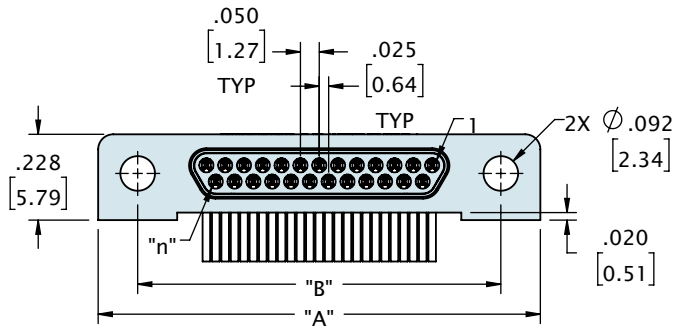
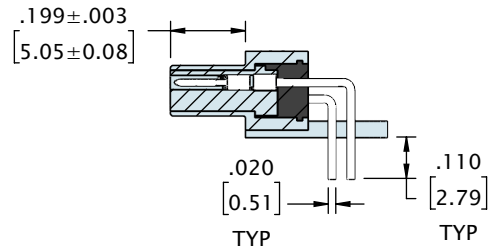
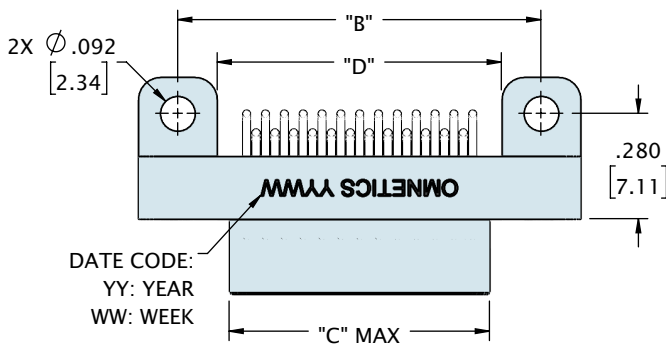


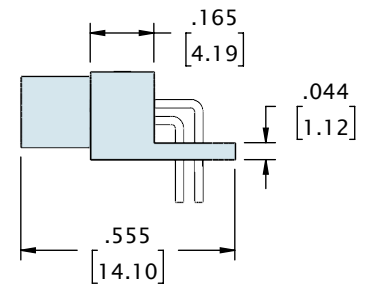
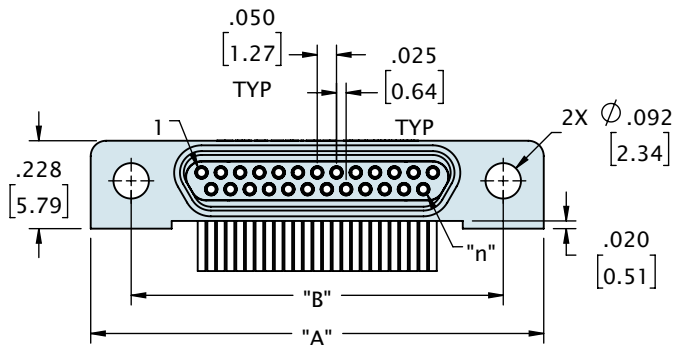
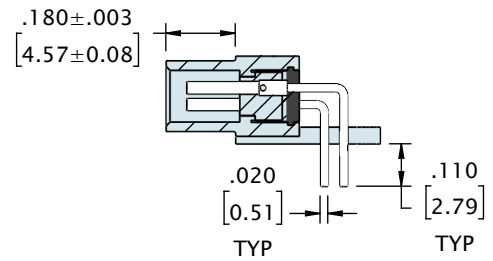
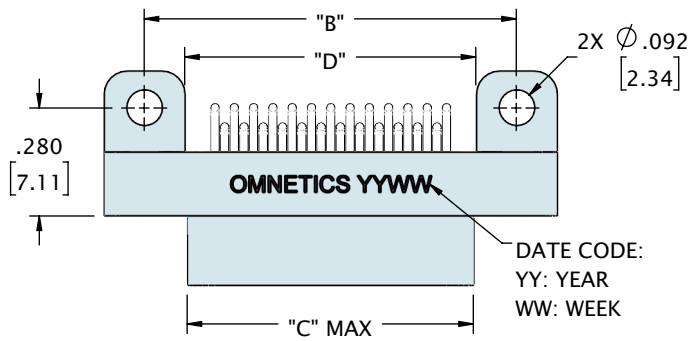
# LOW PROFILE MICRO-D RIGHT ANGLE THRU-HOLE (TYPE H2)



CONTACTS	ROWS	"A"	"B"	"C"	"D"
9	2	.775 [19.69]	.565 [14.35]	.292 [7.42]	.355 [9.02]
15	2	.925 [23.50]	.715 [18.16]	.442 [11.23]	.505 [12.83]
21	2	1.075 [27.31]	.865 [21.97]	.592 [15.04]	.655 [16.64]
25	2	1.175 [29.85]	.965 [24.51]	.692 [17.58]	.755 [19.18]
31	2	1.325 [33.66]	1.115 [28.32]	.842 [21.39]	.905 [22.99]
37	2	1.475 [37.47]	1.265 [32.13]	.992 [25.20]	1.055 [26.80]

DIMENSIONS IN [ ] ARE IN MILLIMETERS AND ARE FOR REFERENCE ONLY

# LOW PROFILE MICRO-D RIGHT ANGLE THRU-HOLE (TYPE H2)



CONTACTS	ROWS	"A"	"B"	"C"	"D"
9	2	.775 [19.69]	.565 [14.35]	.358 [9.09]	.355 [9.02]
15	2	.925 [23.50]	.715 [18.16]	.508 [12.90]	.505 [12.83]
21	2	1.075 [27.31]	.865 [21.97]	.658 [16.71]	.655 [16.64]
25	2	1.175 [29.85]	.965 [24.51]	.758 [19.25]	.755 [19.18]
31	2	1.325 [33.66]	1.115 [28.32]	.908 [23.06]	.905 [22.99]
37	2	1.475 [37.47]	1.265 [32.13]	1.058 [26.87]	1.055 [26.80]

DIMENSIONS IN [ ] ARE IN MILLIMETERS AND ARE FOR REFERENCE ONLY