

MATERIALS

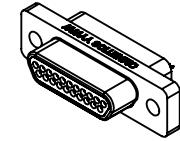
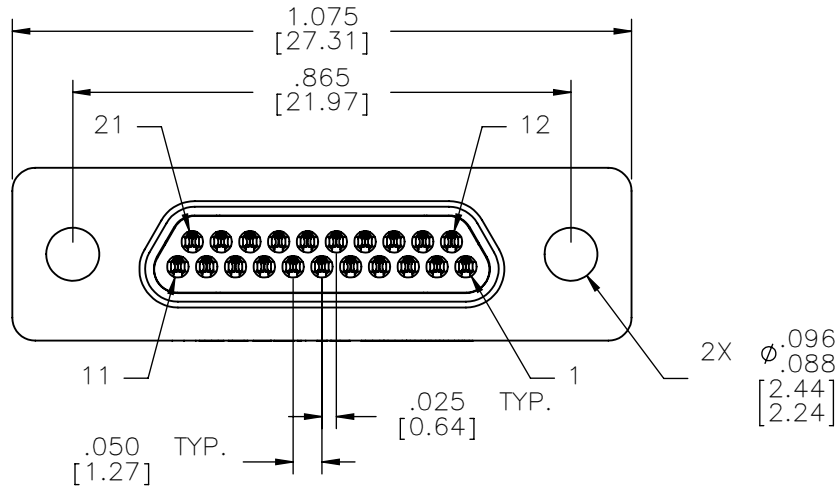
HOUSING:  
ALUMINUM 6061-T6, NICKEL  
PLATE PER AMS-C-26074

INSULATOR:  
LIQUID CRYSTAL POLYMER  
(LCP) PER ASTM D5138

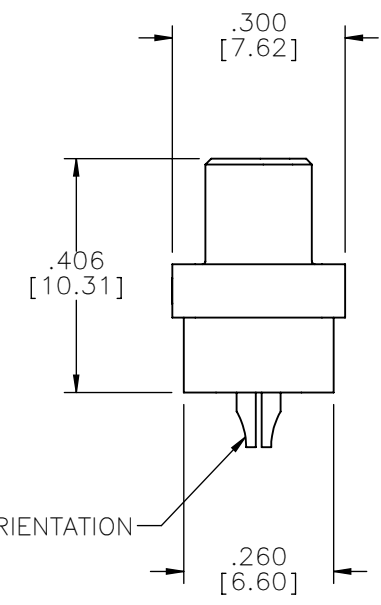
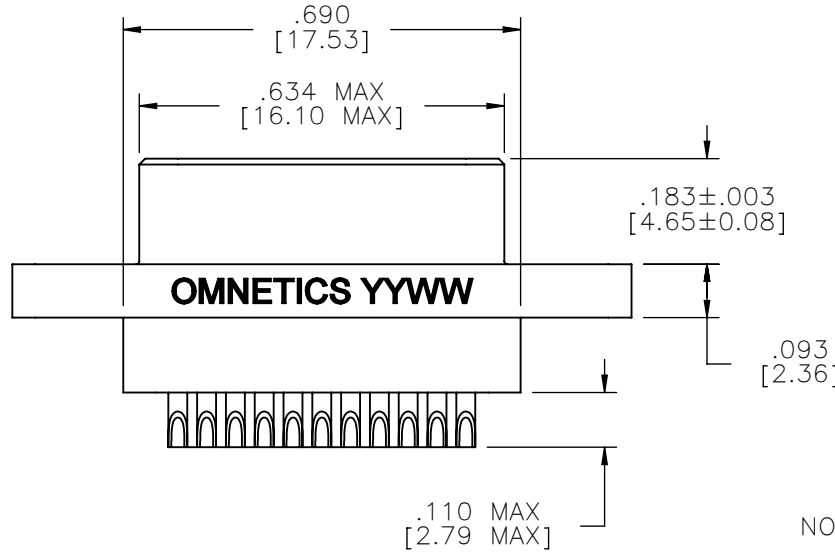
CONTACT/SOLDERCUP:  
BERYLLIUM COPPER PER  
ASTM B194, C17200, AND  
COPPER ALLOY PER MIL-  
DTL-83513, GOLD PLATED  
PER ASTM B488, (HARD  
GOLD) TYPE II CODE C,  
CLASS 1.27

HARDWARE:  
AVAILABLE UPON REQUEST

PART NO.	A98000-021	REV	ECO	DATE	APP
		B	99310	02-27-13	JMJ



ACTUAL SIZE



NOTE ORIENTATION

**RoHS**

NOTE:  
DIMENSIONS IN [ ] ARE IN  
MILLIMETERS UNLESS  
OTHERWISE NOTED AND ARE  
FOR REFERENCE ONLY

MMP/SLD	THIRD ANGLE
	-TOLERANCES-
	UNLESS OTHERWISE NOTED
	DIMENSIONS IN INCHES
	2 PL DEC ± .01
	3 PL DEC ± .005
	4 PL DEC ± .0005
	ANGLES ± 1°

THIS DRAWING CONTAINS CONFIDENTIAL AND PROPRIETARY INFORMATION WHICH IS THE PROPERTY OF OMNETICS CONNECTOR CORP. THIS DOCUMENT MAY NOT, IN WHOLE OR IN PART, BE DUPLICATED, OR DISCLOSED FOR ANY PURPOSE, WITHOUT WRITTEN PERMISSION FROM OMNETICS CONNECTOR CORP.	
DFTM. NJS	DATE 01-13-10
CHK'D.	DATE
APP'D.	DATE
TITLE: (21) PIN MALE MICRO-D CONNECTOR	

**OMNETICS**  
CONNECTOR CORPORATION  
7260 COMMERCE CIRCLE EAST  
MINNEAPOLIS, MN 55432  
WWW.OMNETICS.COM

CAGE CODE 61873
DWG NO. A98000-021
SHEET 1 OF 1
SCALE: 3:1
REV B