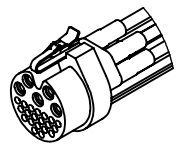


| | | | | | |
|----------|------------|-----|--------|----------|-----|
| PART NO. | A90115-001 | REV | ECO | DATE | APP |
| | | C | 104158 | 01-10-18 | HV |

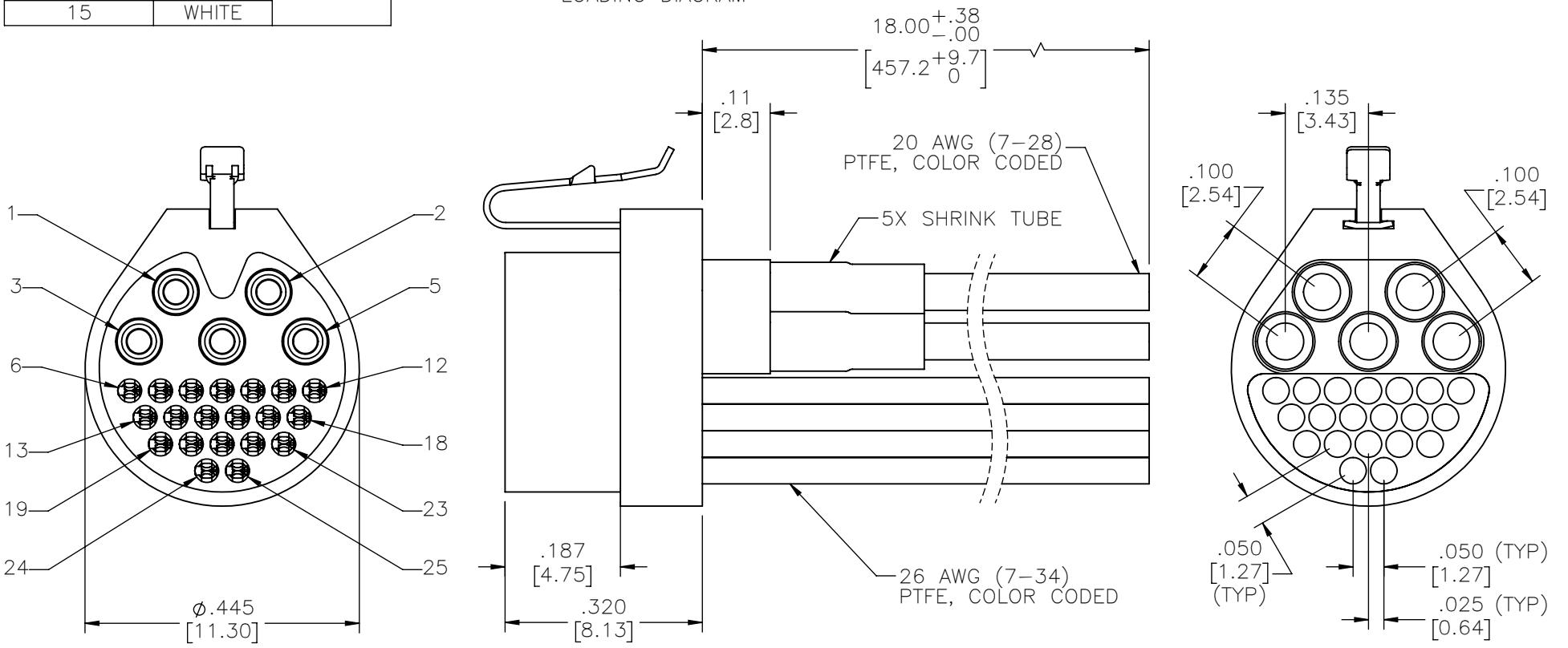
| CONTACT # | COLOR | NOTES |
|-----------|--------|--------|
| 1 | BLACK | 20 AWG |
| 2 | BROWN | |
| 3 | RED | |
| 4 | ORANGE | |
| 5 | YELLOW | |
| 6 | BLACK | 26 AWG |
| 7 | BROWN | |
| 8 | RED | |
| 9 | ORANGE | |
| 10 | YELLOW | |
| 11 | GREEN | |
| 12 | BLUE | |
| 13 | VIOLET | |
| 14 | GRAY | |
| 15 | WHITE | |

| CONTACT # | COLOR | NOTES |
|-----------|--------|--------|
| 16 | BLACK | 26 AWG |
| 17 | BROWN | |
| 18 | RED | |
| 19 | ORANGE | |
| 20 | YELLOW | |
| 21 | GREEN | |
| 22 | BLUE | |
| 23 | VIOLET | |
| 24 | GRAY | |
| 25 | WHITE | |



ACTUAL SIZE
EXCLUDING WIRE LENGTH

INTERNAL USE ONLY
SHEET 4 OF 4 IS
MANUFACTURING
LOADING DIAGRAM



NOTE:
DIMENSIONS IN [] ARE IN MILLIMETERS UNLESS OTHERWISE NOTED AND ARE FOR REFERENCE ONLY

| | |
|-------------|------------------------|
| MCP SLDW | THIRD ANGLE |
| | -TOLERANCES- |
| | UNLESS OTHERWISE NOTED |
| | DIMENSIONS IN INCHES |
| | 2 PL DEC ± .01 |
| | 3 PL DEC ± .005 |
| | 4 PL DEC ± .0005 |
| | ANGLES ± 1° |

| | |
|--|---------------|
| THIS DRAWING CONTAINS CONFIDENTIAL AND PROPRIETARY INFORMATION WHICH IS THE PROPERTY OF OMNETICS CONNECTOR CORP. THIS DOCUMENT MAY NOT, IN WHOLE OR IN PART, BE DUPLICATED, OR DISCLOSED FOR ANY PURPOSE, WITHOUT WRITTEN PERMISSION FROM OMNETICS CONNECTOR CORP. | |
| DFTM. ACW | DATE 12-12-14 |
| CHK'D. | DATE |
| APP'D. | DATE |
| TITLE: (5-20) PIN MALE POWER/SIGNAL PLASTIC CIRCULAR CONNECTOR | |

OMNETICS
CONNECTOR CORPORATION
7260 COMMERCE CIRCLE EAST
MINNEAPOLIS, MN 55432
WWW.OMNETICS.COM

| |
|--------------------|
| CAGE CODE 61873 |
| DWG NO. A90115-001 |
| SHEET 1 OF 4 |
| SCALE: 4:1 |
| REV C |

| | | | | | |
|----------|------------|-----|--------|----------|-----|
| PART NO. | A90115-001 | REV | ECO | DATE | APP |
| | | C | 104158 | 01-10-18 | HV |

MATERIALS & SPECIFICATIONS

INSULATOR
POLYETHERIMIDE

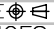
CONTACT MATERIAL
SIGNAL - COPPER ALLOY PER MIL-DTL-83513
POWER - COPPER ALLOY PER SAE-AS39029

CONTACT FINISH
SIGNAL - GOLD PLATE PER ASTM B488, TYPE II,
CLASS 1.27, CODE C OVER NICKEL UNDERPLATE
POWER - GOLD PLATE PER ASTM B488, TYPE II,
CLASS 1.27, CODE C OVER NICKEL UNDERPLATE

LATCH MATERIAL
BERYLLIUM COPPER PER ASTM B194

LATCH FINISH
ELECTROLESS NICKEL PER SAE-AMS-2404

TERMINATION
SIGNAL - 26 AWG, (7-34) SILVER COATED COPPER,
PTFE, COLOR CODED
POWER - 20 AWG, (7-28) SILVER COATED COPPER,
PTFE, COLOR CODED

| | | | | | | |
|------|---|--|------------------|---|---|------------------------------|
| MCP | THIRD ANGLE  | THIS DRAWING CONTAINS CONFIDENTIAL AND PROPRIETARY INFORMATION WHICH IS THE PROPERTY OF OMNETICS CONNECTOR CORP. THIS DOCUMENT MAY NOT, IN WHOLE OR IN PART, BE DUPLICATED, OR DISCLOSED FOR ANY PURPOSE, WITHOUT WRITTEN PERMISSION FROM OMNETICS CONNECTOR CORP. | DATE 12-12-14 | TITLE: (5-20) PIN MALE POWER/SIGNAL PLASTIC CIRCULAR CONNECTOR | CAGE CODE 61873 | DWG NO. A90115-001 |
| | -TOLERANCES- UNLESS OTHERWISE NOTED DIMENSIONS IN INCHES | | | | | |
| SLDW | 2 PL DEC ± .01 | DFTM. ACW | DATE | | CONNECTOR CORPORATION 7260 COMMERCE CIRCLE EAST MINNEAPOLIS, MN 55432 WWW.OMNETICS.COM | SHEET 2 OF 4 |
| | 3 PL DEC ± .005 | CHK'D. | DATE | | | |
| | 4 PL DEC ± .0005 | APP'D. | DATE | | | SCALE: 4:1 |
| | ANGLES ± 1° | | | | | |

| | | | | | |
|----------|------------|-----|--------|----------|-----|
| PART NO. | A90115-001 | REV | ECO | DATE | APP |
| | | C | 104158 | 01-10-18 | HV |

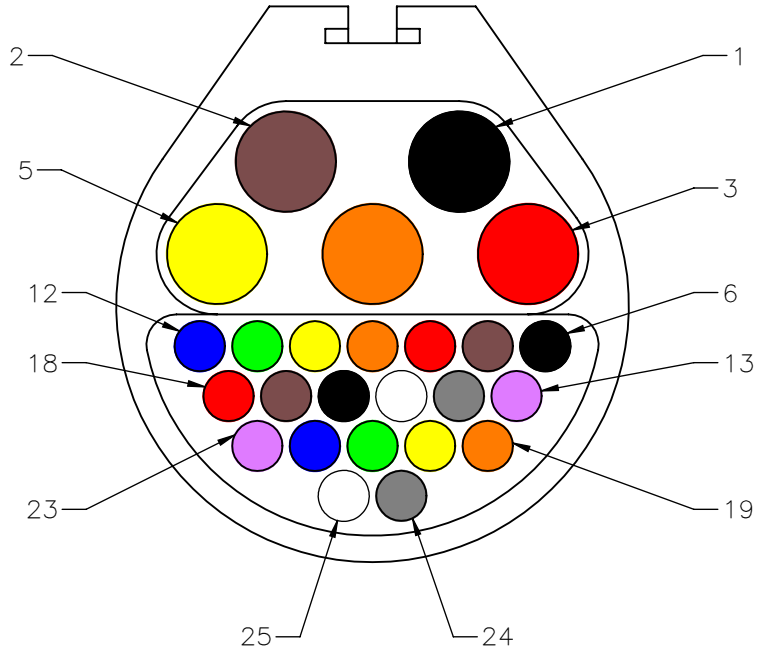
PRODUCT FAMILY TESTED TO AND PASSED THE FOLLOWING PERFORMANCE SPECIFICATIONS

| | |
|---|---|
| CURRENT RATING: | 3 AMPS MAX (SIGNAL CONTACTS) |
| | 10 AMPS MAX (POWER CONTACTS) |
| DIELECTRIC WITHSTANDING VOLTAGE: | 600 VAC RMS (SIGNAL CONTACTS) |
| | 1000 VAC RMS (POWER CONTACTS) |
| INSULATION RESISTANCE: | 5000 MEGAOHMS MIN @ 500 VDC |
| CONTACT RESISTANCE: | 26 MILLIOHMS (65 mV) MAX @ 2.5 AMPS (SIGNAL CONTACTS) |
| | 7 MILLIOHMS (55 mV) MAX @ 7.5 AMPS (POWER CONTACTS) |
| CONTACT ENGAGEMENT & SEPARATION FORCES: | 6 OZ MAX/CONTACT (ENGAGEMENT SIGNAL) |
| | .5 OZ MIN/CONTACT (SEPARATION SIGNAL) |
| | 18 OZ MAX/CONTACT (ENGAGEMENT POWER) |
| | .7 OZ MIN/CONTACT (SEPARATION POWER) |
| TEMPERATURE CYCLING: | -55°C TO +125°C, 5 CYCLES |
| VIBRATION*: | EIA-364-28, TEST CONDITION IV, 20 g's |
| MECHANICAL SHOCK*: | EIA-364-27, TEST CONDITION D, 300 g's |
| DURABILITY: | 500 CYCLES |

*PENDING COMPLETION OF TESTING

| | | | | | |
|-------------|--|--|--|------------------------------|-----|
| MCP SLDW | THIRD ANGLE | THIS DRAWING CONTAINS CONFIDENTIAL AND PROPRIETARY INFORMATION WHICH IS THE PROPERTY OF OMNETICS CONNECTOR CORP. THIS DOCUMENT MAY NOT, IN WHOLE OR IN PART, BE DUPLICATED, OR DISCLOSED FOR ANY PURPOSE, WITHOUT WRITTEN PERMISSION FROM OMNETICS CONNECTOR CORP. | OMNETICS CONNECTOR CORPORATION 7260 COMMERCE CIRCLE EAST MINNEAPOLIS, MN 55432 WWW.OMNETICS.COM | CAGE CODE 61873 | |
| | —TOLERANCES— UNLESS OTHERWISE NOTED DIMENSIONS IN INCHES | | | DWG NO. A90115-001 | |
| | 2 PL DEC ± .01 | DFTM. ACW DATE 12-12-14 | TITLE: (5-20) PIN MALE POWER/SIGNAL PLASTIC CIRCULAR CONNECTOR | SHEET 3 OF 4 | REV |
| | 3 PL DEC ± .005 | CHK'D. | | SCALE: 4:1 | C |
| | 4 PL DEC ± .0005 | APP'D. | | | |
| | ANGLES ± 1° | | | | |

| | | | | | |
|----------|------------|-----|--------|----------|-----|
| PART NO. | A90115-001 | REV | ECO | DATE | APP |
| | | C | 104158 | 01-10-18 | HV |



| CONTACT # | COLOR | NOTES |
|-----------|--------|--------|
| 1 | BLACK | 20 AWG |
| 2 | BROWN | |
| 3 | RED | |
| 4 | ORANGE | |
| 5 | YELLOW | |
| 6 | BLACK | 26 AWG |
| 7 | BROWN | |
| 8 | RED | |
| 9 | ORANGE | |
| 10 | YELLOW | |
| 11 | GREEN | |
| 12 | BLUE | |
| 13 | VIOLET | |
| 14 | GRAY | |
| 15 | WHITE | |
| 16 | BLACK | |
| 17 | BROWN | |
| 18 | RED | |
| 19 | ORANGE | |
| 20 | YELLOW | |
| 21 | GREEN | |
| 22 | BLUE | |
| 23 | VIOLET | |
| 24 | GRAY | |
| 25 | WHITE | |

| | |
|-------------|--|
| MCP SLDW | THIRD ANGLE |
| | —TOLERANCES— UNLESS OTHERWISE NOTED DIMENSIONS IN INCHES |
| | 2 PL DEC ± .01 |
| | 3 PL DEC ± .005 |
| | 4 PL DEC ± .0005 |
| | ANGLES ± 1° |

THIS DRAWING CONTAINS CONFIDENTIAL AND PROPRIETARY INFORMATION WHICH IS THE PROPERTY OF OMNETICS CONNECTOR CORP. THIS DOCUMENT MAY NOT, IN WHOLE OR IN PART, BE DUPLICATED, OR DISCLOSED FOR ANY PURPOSE, WITHOUT WRITTEN PERMISSION FROM OMNETICS CONNECTOR CORP.

| | | |
|-----------|------------------|--|
| DFTM. ACW | DATE 12-12-14 | TITLE: |
| CHK'D. | DATE | (5-20) PIN MALE |
| APP'D. | DATE | POWER/SIGNAL PLASTIC CIRCULAR CONNECTOR |

OMNETICS
CONNECTOR CORPORATION
7260 COMMERCE CIRCLE EAST
MINNEAPOLIS, MN 55432
WWW.OMNETICS.COM

| | |
|---------------------------|-----|
| CAGE CODE 61873 | REV |
| DWG NO. A90115-001 | C |
| SHEET 4 OF 4 | |
| SCALE: 6:1 | |