

**MATERIALS & SPECIFICATIONS**

**INSULATORS**

THERMOPLASTIC PER ASTM D5138

**CONTACT MATERIAL**

PINS - BERYLLIUM COPPER PER ASTM B194, ALLOY C17200  
 SOCKET - COPPER ALLOY PER MIL-DTL-32139

**CONTACT FINISH**

GOLD PLATE PER ASTM B488, TYPE II (HARD GOLD), CODE C, CLASS 1.27

**TERMINATION FINISH**

SOLDER COATED WITH SN63 PER J-STD-006 OR SN60 PER AMS-P-81728

**CURRENT RATING**

1 AMP PER MIL-DTL-32139

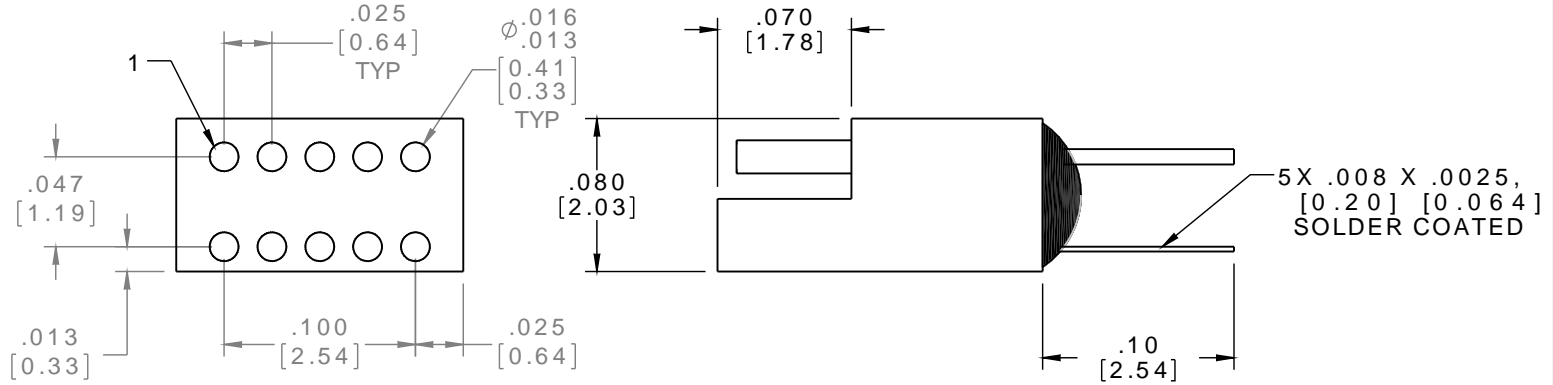
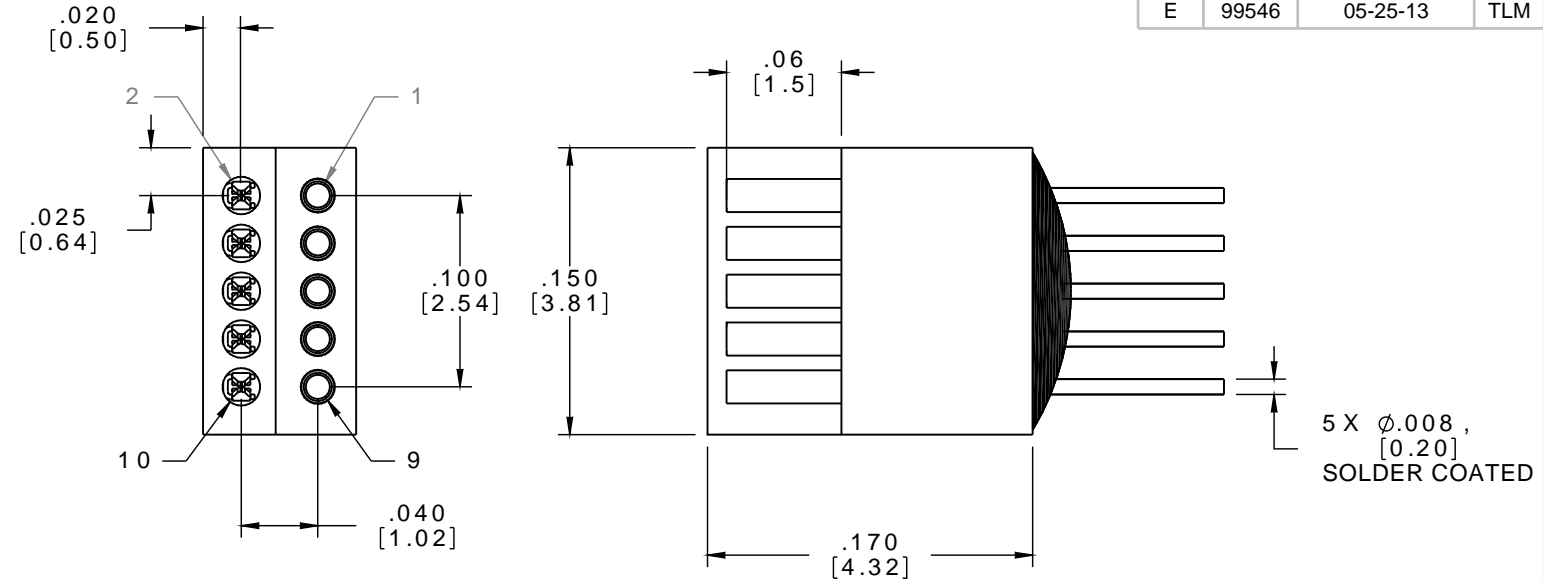
**CONTACT RESISTANCE**

71 MILLIOHM MAX (71mV DROP MAX) @ 1.0 AMPS PER MIL-DTL-32139

**PERFORMANCE**

PRODUCT FAMILY TESTED TO AND PASSED THE PERFORMANCE SPECIFICATIONS OF TABLE VIII OF MIL-DTL-32139

PART NO.	A 79619-001	REV	ECO	DATE	APP
		E	99546	05-25-13	TLM



SUGGESTED HOLE PATTERN



ACTUAL SIZE

**NOTE:**

DIMENSIONS IN [ ] ARE IN MILLIMETERS UNLESS OTHERWISE NOTED AND ARE FOR REFERENCE ONLY

PZN SLDW	THIRD ANGLE	THIS DRAWING CONTAINS CONFIDENTIAL AND PROPRIETARY INFORMATION WHICH IS THE PROPERTY OF OMNETICS CONNECTOR CORP. THIS DOCUMENT MAY NOT, IN WHOLE OR IN PART, BE DUPLICATED, OR DISCLOSED FOR ANY PURPOSE, WITHOUT WRITTEN PERMISSION FROM OMNETICS CONNECTOR CORP.		 CONNECTOR CORPORATION 7260 COMMERCE CIRCLE EAST MINNEAPOLIS, MN 55432 WWW.OMNETICS.COM	CAGE CODE 61873		
	-TOLERANCES-	DFTM. NJS	DATE 08-24-09		TITLE:	DWG NO. A79619-001	
	UNLESS OTHERWISE NOTED	CHK'D.	DATE		(10) CONTACT POLARIZED	SHEET 1 OF 1	
	DIMENSIONS IN INCHES	APP'D.	DATE		MALE/FEMALE	REV E	
2 PL DEC ± .01			NANO CONNECTOR	SCALE: 10:1			
3 PL DEC ± .005							
4 PL DEC ± .0005							
ANGLES ± 1°							