

MATERIALS & SPECIFICATIONS

PART NO.	A 79114-001	REV	ECO	DATE	APP
		E	99287	02-19-13	TLM

INSULATOR MATERIAL:

THERMOPLASTIC POLYMER PER MIL-DTL-24519

CONTACT MATERIAL:

COPPER ALLOY PER MIL-DTL-32139. GOLD PLATED PER ASTM B488, (HARD GOLD) TYPE II CODE C CLASS 1.27

TERMINATION:

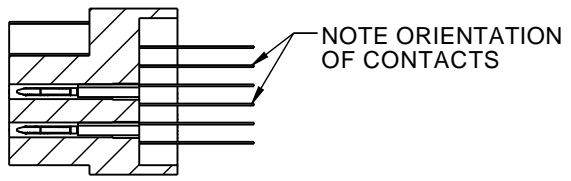
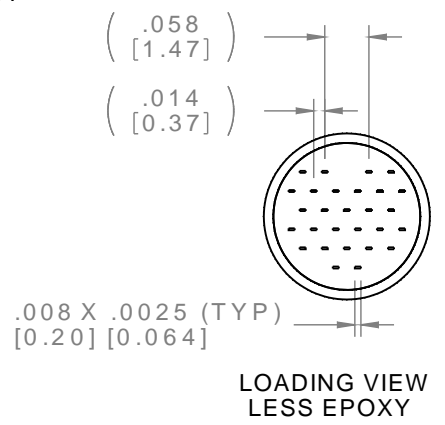
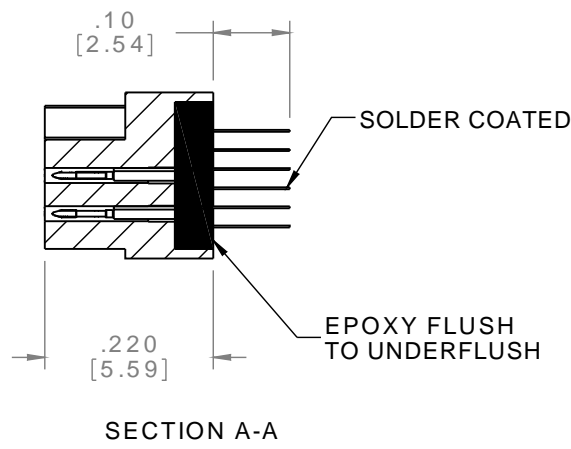
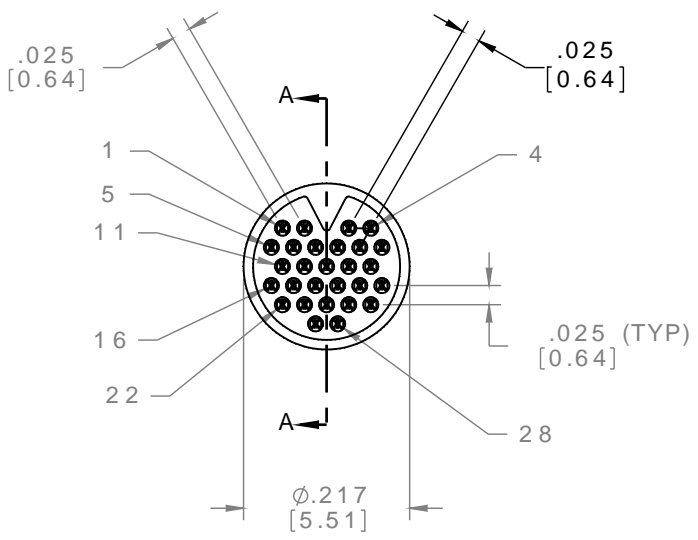
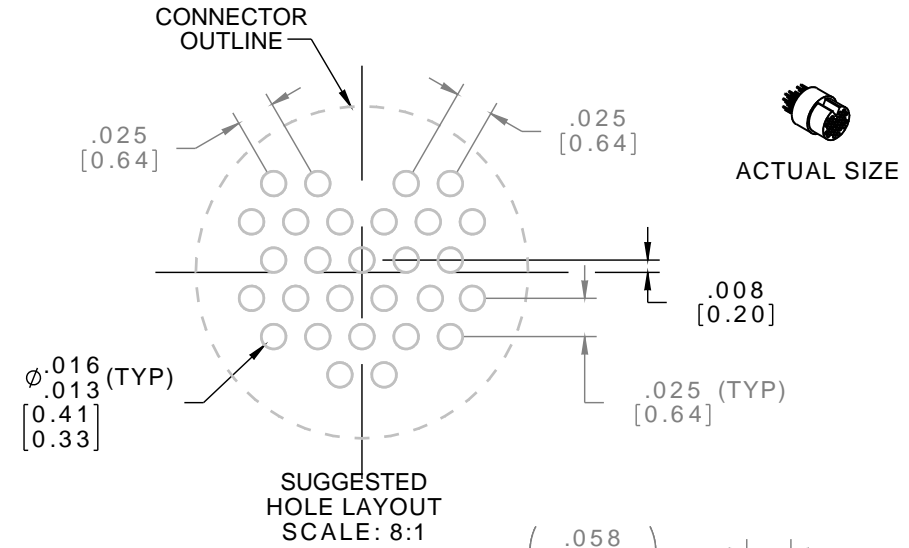
SOLDER COATED WITH SN63 PER J-STD-006 OR SN60 PER AMS-P-81728

CURRENT CAPACITY:

1 AMP MAX PER MIL-DTL-32139

CONTACT RESISTANCE:

71 MILLIOHMS (71 mV) MAX @ 1.0 AMPS PER MIL-DTL-32139



VIEW LESS EPOXY

NCP SLDW	THIRD ANGLE	THIS DRAWING CONTAINS CONFIDENTIAL AND PROPRIETARY INFORMATION WHICH IS THE PROPERTY OF OMNETICS CONNECTOR CORP. THIS DOCUMENT MAY NOT, IN WHOLE OR IN PART, BE DUPLICATED, OR DISCLOSED FOR ANY PURPOSE, WITHOUT WRITTEN PERMISSION FROM OMNETICS CONNECTOR CORP.		 CONNECTOR CORPORATION 7260 COMMERCE CIRCLE EAST MINNEAPOLIS, MN 55432 WWW.OMNETICS.COM	CAGE CODE 61873		
	-TOLERANCES- UNLESS OTHERWISE NOTED DIMENSIONS IN INCHES	DFTM. ACM	DATE 01-22-09		TITLE:	DWG NO. A79114-001	
	2 PL DEC ± .01	CHK'D.	DATE		(28) PIN MALE NANO CIRCULAR CONNECTOR	SHEET 1 OF 1 REV E	
	3 PL DEC ± .005	APP'D.	DATE			SCALE: 4:1	