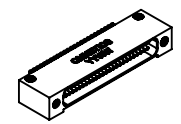
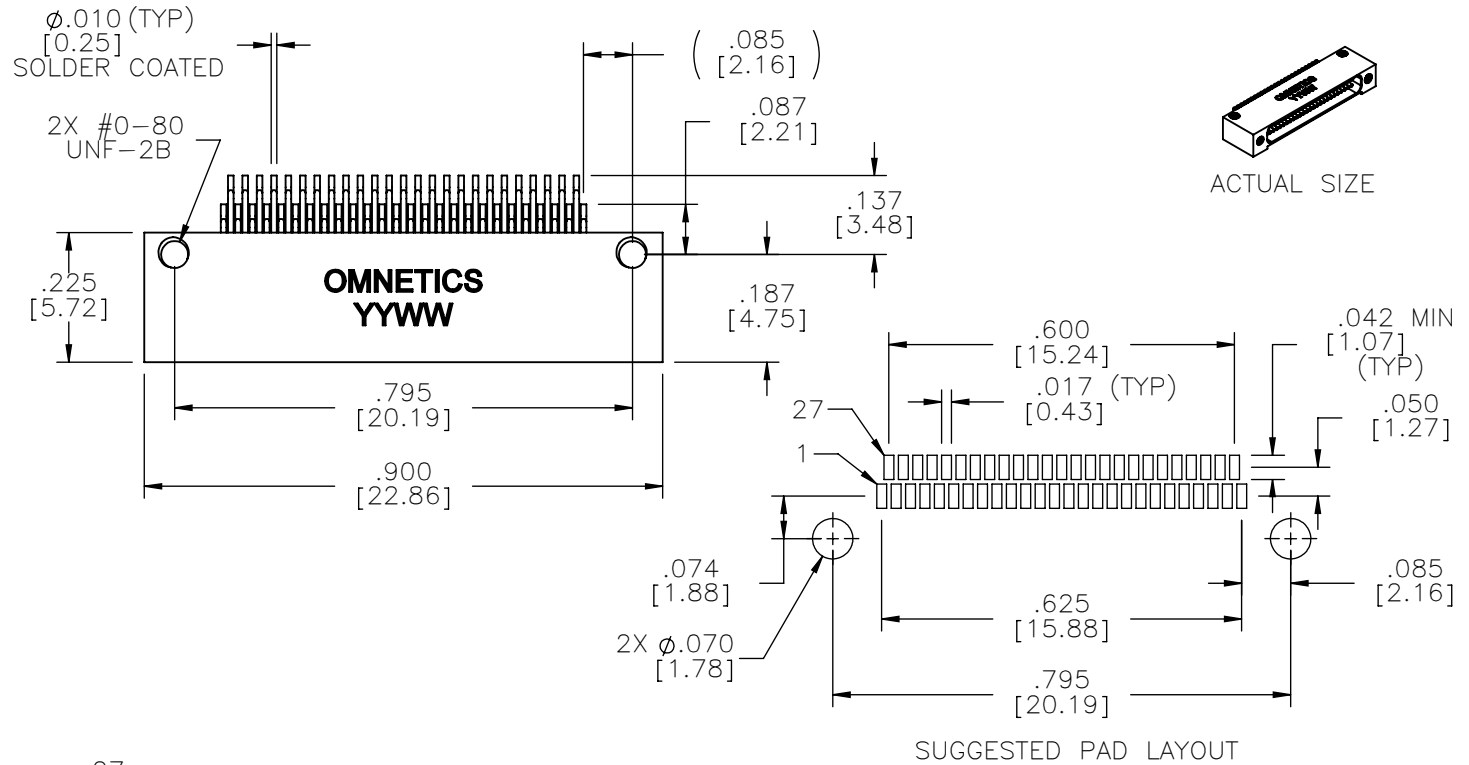


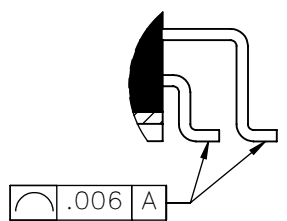
MATERIALS & SPECIFICATIONS

PART NO.	A29100-051	REV	ECO	DATE	APP
		K	102551	05-03-16	TLM

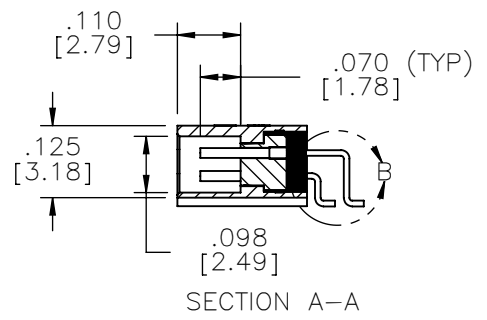
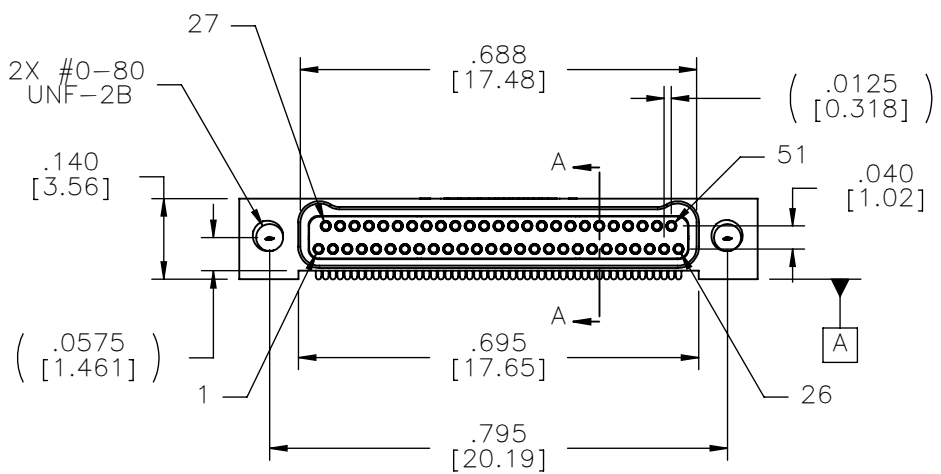
- HOUSING:  
ALUMINUM 6061-T6, NICKEL  
PLATE PER SAE-AMS-2404
- INSULATOR:  
LIQUID CRYSTAL POLYMER (LCP)  
PER ASTM D5138
- CONTACTS:  
COPPER ALLOY PER MIL-DTL-  
32139, GOLD PLATED PER ASTM  
B488, (HARD GOLD) TYPE II  
CODE C CLASS 1.27
- TERMINATIONS:  
SOLDER COATED WITH SN63A  
PER J-STD-006
- CURRENT RATING:  
1 AMP MAX PER MIL-DTL-32139
- CONTACT RESISTANCE:  
71 MILLIOHM MAX (71mV DROP  
MAX) @ 1.0 AMPS PER MIL-  
DTL-32139
- PERFORMANCE:  
PRODUCT FAMILY TESTED TO AND  
PASSED THE PERFORMANCE  
SPECIFICATIONS OF TABLE VIII OF  
MIL-DTL-32139



ACTUAL SIZE



DETAIL B  
SCALE 6 : 1



SECTION A-A

NOTE:  
DIMENSIONS IN [ ] ARE IN  
MILLIMETERS UNLESS  
OTHERWISE NOTED AND ARE  
FOR REFERENCE ONLY

MATERIALS CONTRACT SHEET	THIRD ANGLE	THIS DRAWING CONTAINS CONFIDENTIAL AND PROPRIETARY INFORMATION WHICH IS THE PROPERTY OF OMNETICS CONNECTOR CORP. THIS DOCUMENT MAY NOT, IN WHOLE OR IN PART, BE DUPLICATED, OR DISCLOSED FOR ANY PURPOSE, WITHOUT WRITTEN PERMISSION FROM OMNETICS CONNECTOR CORP.	
	-TOLERANCES-	DFTM. AAS	DATE 05-10-04
	UNLESS OTHERWISE NOTED	CHK'D.	DATE
	DIMENSIONS IN INCHES	APP'D.	DATE
	2 PL DEC ± .01	TITLE: (51) SOCKET FEMALE Bi-Lobe® CONNECTOR	
	3 PL DEC ± .005		
	4 PL DEC ± .0005		
	ANGLES ± 1°		

**OMNETICS**  
CONNECTOR CORPORATION  
7260 COMMERCE CIRCLE EAST  
MINNEAPOLIS, MN 55432  
WWW.OMNETICS.COM

CAGE CODE **61873**  
DWG NO. **A29100-051**  
SHEET 1 OF 1  
SCALE: 3:1

REV  
K