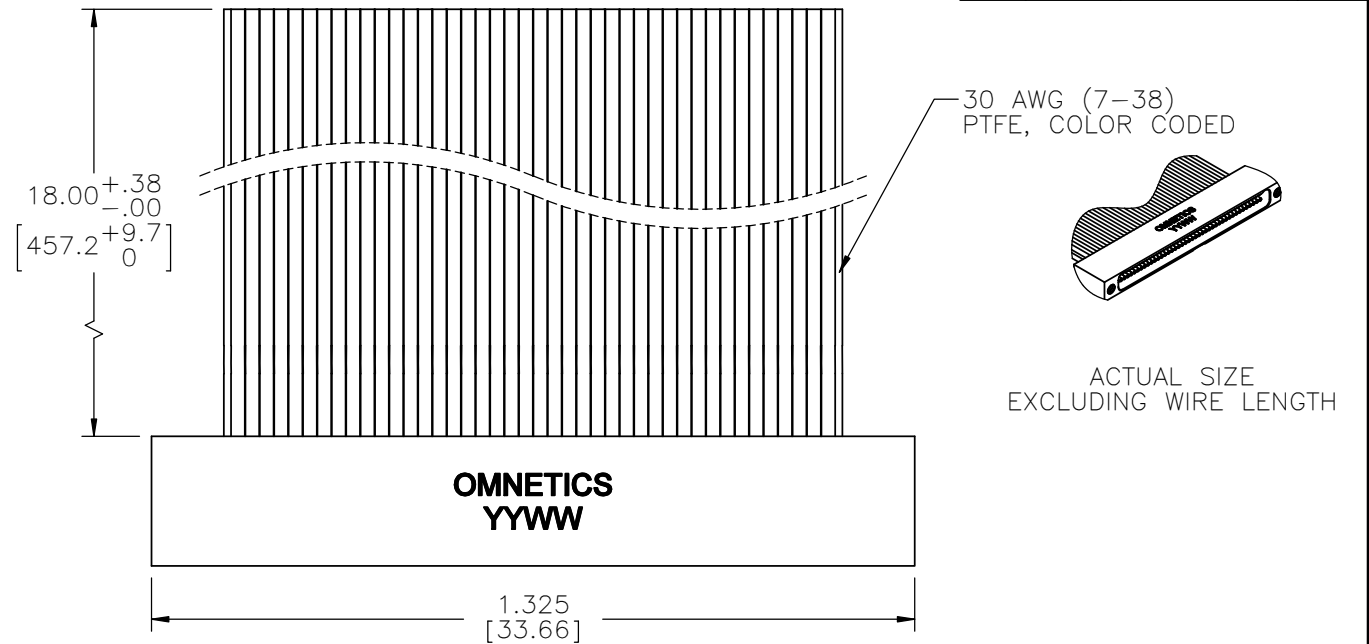


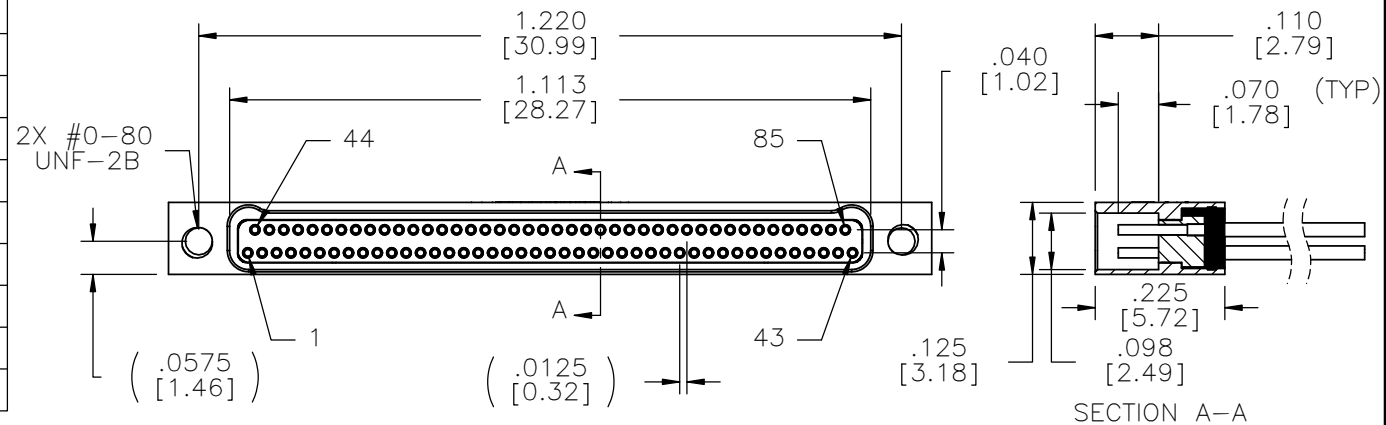
PART NO.	A29000-085	REV	ECO	DATE	APP
		A	97798	07-27-11	TLM

MATERIALS & SPECIFICATIONS

- HOUSING:**
ALUMINUM 60601-T6, NICKEL PLATE
PER AMS-C-26074.
- INSULATOR:**
LIQUID CRYSTAL POLYMER (LCP) PER
ASTM D5138
- CONTACT:**
COPPER ALLOY PER MIL-DTL-32139,
GOLD PLATED PER ASTM B488, (HARD
GOLD) TYPE II CODE C CLASS 1.27
- WIRE:**
NEMA HP3 TYPE ET, COLOR CODED
IAW MIL-STD-681, SYSTEM 1, USING
TEN SOLID REPEATING COLORS
- CURRENT RATING:**
1 AMP MAX PER MIL-DTL-32139
- CONTACT RESISTANCE:**
71 MILLIOHM MAX (71mV DROP MAX)
@ 1.0 AMPS PER MIL-DTL-32139
- PERFORMANCE:**
PRODUCT FAMILY TESTED TO AND
PASSED THE PERFORMANCE
SPECIFICATIONS OF TABLE VIII OF
MIL-DTL-32139.



SOCKET #	COLOR
1, 11, 21, 31, 41, 51, 61, 71, 81	BLACK
2, 12, 22, 32, 42, 52, 62, 72, 82	BROWN
3, 13, 23, 33, 43, 53, 63, 73, 83	RED
4, 14, 24, 34, 44, 54, 64, 74, 84	ORANGE
5, 15, 25, 35, 45, 55, 65, 75, 85	YELLOW
6, 16, 26, 36, 46, 56, 66, 76	GREEN
7, 17, 27, 37, 47, 57, 67, 77	BLUE
8, 18, 28, 38, 48, 58, 68, 78	VIOLET
9, 19, 29, 39, 49, 59, 69, 79	GRAY
10, 20, 30, 40, 50, 60, 70, 80	WHITE



INTERNAL USE ONLY

SHEET 2 OF 2 IS A
MFG LOADING DIAGRAM

MNSO SLDW	THIRD ANGLE
	-TOLERANCES-
	UNLESS OTHERWISE NOTED
	DIMENSIONS IN INCHES
	2 PL DEC ± .01
3 PL DEC ± .005	
4 PL DEC ± .0005	
ANGLES ± 1°	

THIS DRAWING CONTAINS CONFIDENTIAL AND PROPRIETARY INFORMATION WHICH IS THE PROPERTY OF OMNETICS CONNECTOR CORP. THIS DOCUMENT MAY NOT, IN WHOLE OR IN PART, BE DUPLICATED, OR DISCLOSED FOR ANY PURPOSE, WITHOUT WRITTEN PERMISSION FROM OMNETICS CONNECTOR CORP.

DFTM. DGJ DATE 07-13-11

CHK'D. DATE

APP'D. DATE

TITLE:
(85) SOCKET FEMALE
BI-LOBE CONNECTOR

OMNETICS
CONNECTOR CORPORATION

7260 COMMERCE CIRCLE EAST
MINNEAPOLIS, MN 55432
WWW.OMNETICS.COM

CAGE CODE 61873
DWG NO. A29000-085
SHEET 1 OF 2
SCALE: 3:1
REV A