

MATERIALS & SPECIFICATIONS

PART NO.	A 28500-021	REV	ECO	DATE	APP
		H	97733	06-27-11	TLM

HOUSING:

ALUMINUM 6061-T6, NICKEL PLATE PER AMS-C-26074

INSULATOR:

LIQUID CRYSTAL POLYMER (LCP) PER ASTM D5138

CONTACT:

BERYLLIUM COPPER PER ASTM B194, C17200, GOLD PLATED PER ASTM B488, (HARD GOLD) TYPE II CODE C, CLASS 1.27

TERMINATION:

SOLDER COATED WITH SN63A PER J-STD-006 OR AMS-P-81728

HARDWARE:

303 STAINLESS STEEL PER ASTM 582

CURRENT RATING:

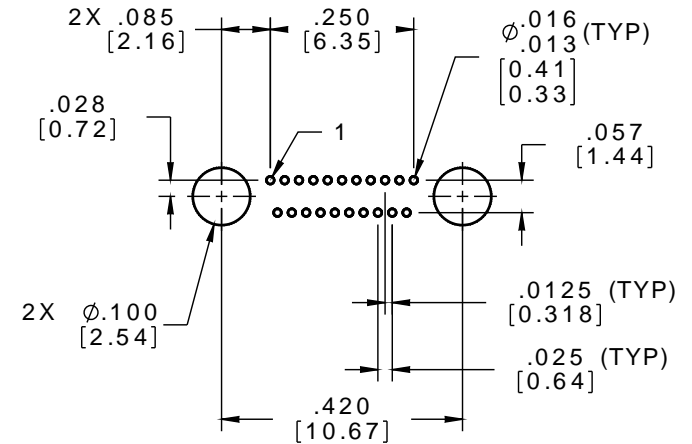
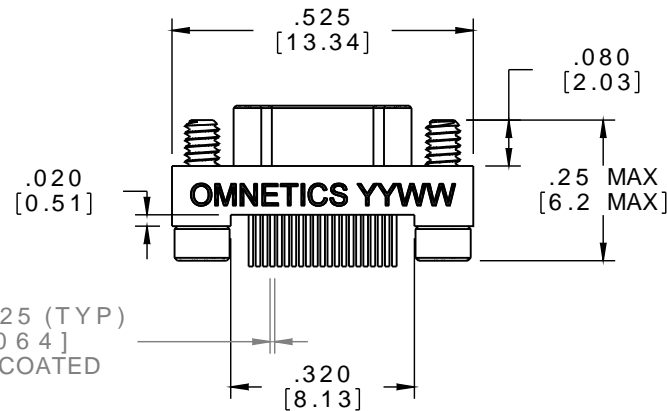
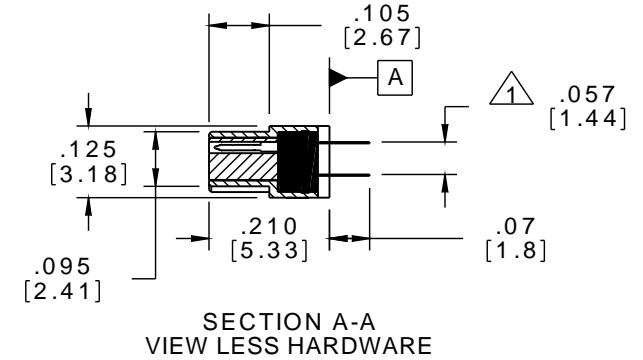
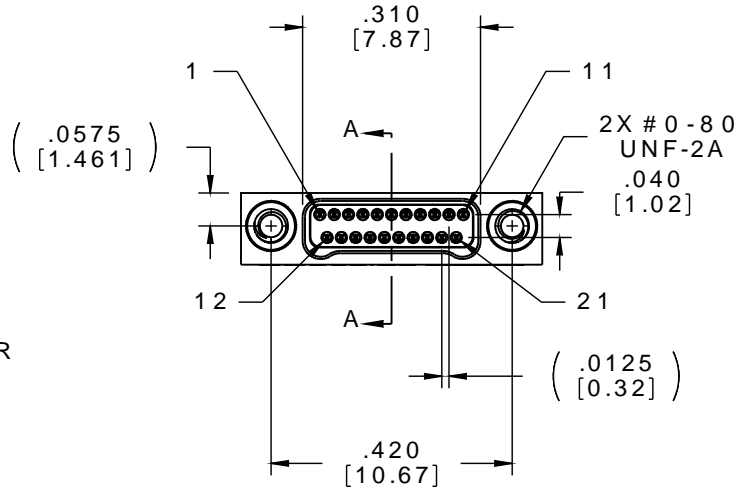
1 AMP MAX PER MIL-DTL-32139

CONTACT RESISTANCE:

71 MILLIOHM MAX (71mV DROP MAX) @ 1.0 AMPS PER MIL-DTL-32139

PERFORMANCE:

PRODUCT FAMILY TESTED TO AND PASSED THE PERFORMANCE SPECIFICATIONS OF TABLE VIII OF MIL-DTL-32139



△ TAIL DIMENSIONS APPLY AT PLANE [A]



ACTUAL SIZE

MNP S/DW	THIRD ANGLE	THIS DRAWING CONTAINS CONFIDENTIAL AND PROPRIETARY INFORMATION WHICH IS THE PROPERTY OF OMNETICS CONNECTOR CORPORATION. THIS DOCUMENT MAY NOT, IN WHOLE OR IN PART, BE DUPLICATED, OR DISCLOSED FOR ANY PURPOSE, WITHOUT WRITTEN PERMISSION FROM OMNETICS CONNECTOR CORP.		 OMNETICS CONNECTOR CORPORATION 7260 COMMERCE CIRCLE EAST MINNEAPOLIS, MN 55432 WWW.OMNETICS.COM	CAGE CODE 61873		
	-TOLERANCES-	DFTM. AAS	DATE 05-05-04		TITLE:	DWG NO. A28500-021	
	UNLESS OTHERWISE NOTED	CHK'D.	DATE		(21) PIN MALE	SHEET 1 OF 1 REV	
	DIMENSIONS IN INCHES	APP'D.	DATE		Bi-LoBE® CONNECTOR	SCALE: 3:1 H	
	2 PL DEC ± .01						
	3 PL DEC ± .005						
	4 PL DEC ± .0005						
	ANGLES ± 1°						