

MATERIALS & SPECIFICATIONS

HOUSING:
ALUMINUM 6061, NICKEL PLATE (500 MICROINCHES MINIMUM) PER SAE-AMS-2404.

INSULATOR:
LIQUID CRYSTAL POLYMER (LCP) PER ASTM D5138.

CONTACT:
BERYLLIUM COPPER PER ASTM B194, C17200, GOLD PLATED PER ASTM B488, (HARD GOLD) TYPE II CODE C, CLASS 1.27.

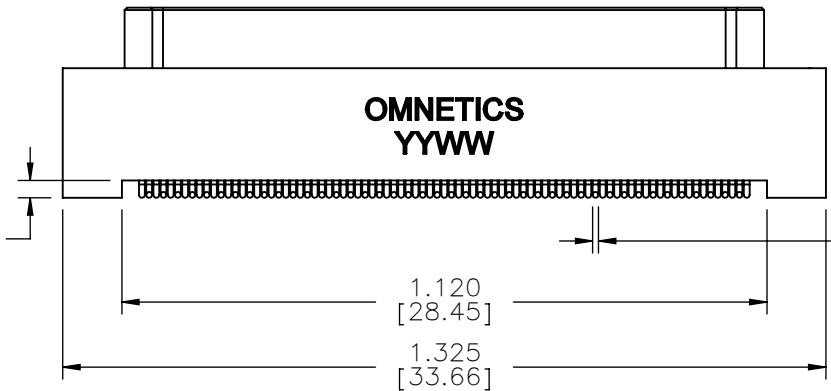
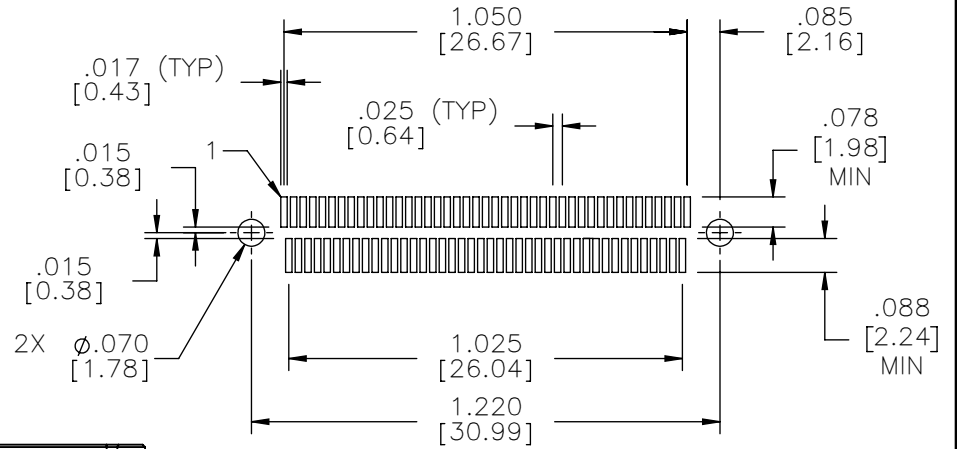
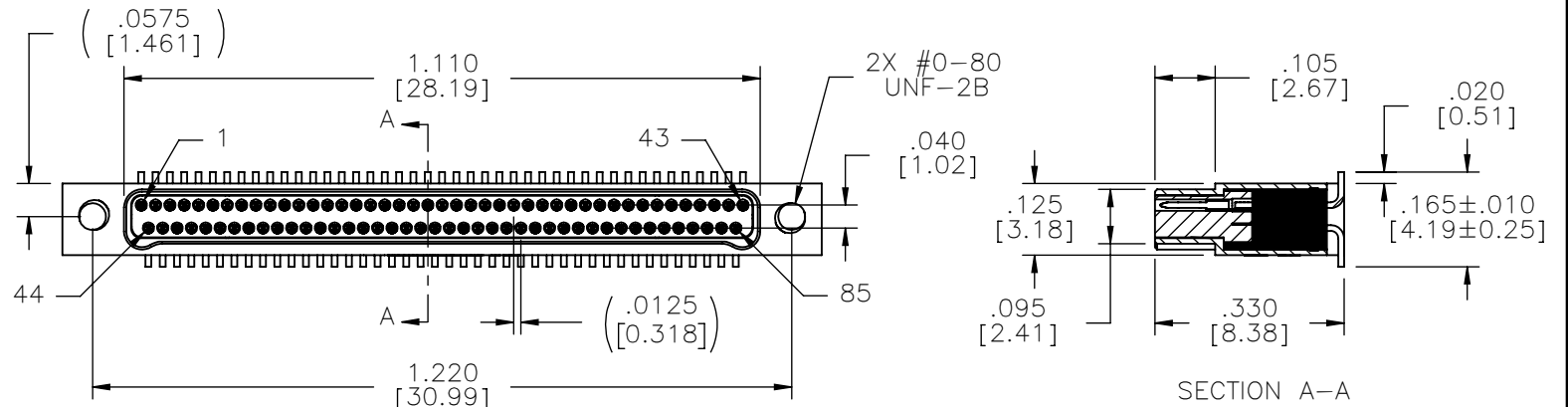
TERMINATION:
SOLDER COATED WITH SN63A PER J-STD-006 OR AMS-P-81728.

CURRENT RATING:
1 AMP MAX PER MIL-DTL-32139.

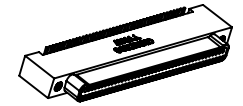
CONTACT RESISTANCE:
71 MILLIOHM MAX (71mV DROP MAX) @ 1.0 AMPS PER MIL-DTL-32139.

PERFORMANCE:
PRODUCT FAMILY TESTED TO AND PASSED THE PERFORMANCE SPECIFICATIONS OF TABLE VIII OF MIL-DTL-32139.

| | | | | | |
|----------|------------|-----|--------|----------|-----|
| PART NO. | A28200-085 | REV | ECO | DATE | APP |
| | | C | 103893 | 10-17-17 | TLM |



Ø.010 (TYP) [0.25] SOLDER COATED



ACTUAL SIZE

NOTE:

DIMENSIONS IN [] ARE IN MILLIMETERS UNLESS OTHERWISE NOTED AND ARE FOR REFERENCE ONLY

| | |
|-----------------|------------------------|
| MFG SOLD | THIRD ANGLE |
| | -TOLERANCES- |
| | UNLESS OTHERWISE NOTED |
| | DIMENSIONS IN INCHES |
| 2 PL DEC± .01 | |
| 3 PL DEC± .005 | |
| 4 PL DEC± .0005 | |
| ANGLES ± 1° | |

| | |
|--|---------------|
| THIS DRAWING CONTAINS CONFIDENTIAL AND PROPRIETARY INFORMATION WHICH IS THE PROPERTY OF OMNETICS CONNECTOR CORP. THIS DOCUMENT MAY NOT, IN WHOLE OR IN PART, BE DUPLICATED, OR DISCLOSED FOR ANY PURPOSE, WITHOUT WRITTEN PERMISSION FROM OMNETICS CONNECTOR CORP. | |
| DFTM. MJM | DATE 11-18-10 |
| CHK'D. | DATE |
| APP'D. | DATE |
| TITLE: (85) PIN MALE Bi-Lobe® CONNECTOR | |

OMNETICS
CONNECTOR CORPORATION
7260 COMMERCE CIRCLE EAST
MINNEAPOLIS, MN 55432
WWW.OMNETICS.COM

| | |
|--------------------|-------|
| CAGE CODE 61873 | |
| DWG NO. A28200-085 | |
| SHEET 1 OF 1 | REV C |
| SCALE: 3:1 | |