

MATERIALS & SPECIFICATIONS

HOUSING:

ALUMINUM 6061-T6, NICKEL
PLATE PER AMS-C-26074.

INSULATOR:

LIQUID CRYSTAL POLYMER (LCP)
PER ASTM D5138.

CONTACT:

BERYLLIUM COPPER PER ASTM
B194, C17200, GOLD PLATED
PER ASTM B488, (HARD GOLD)
TYPE II CODE C, CLASS 1.27.

TERMINATION:

SOLDER COATED WITH SN63A PER
J-STD-006 OR AMS-P-81728.

CURRENT RATING:

1 AMP MAX PER MIL-DTL-32139.

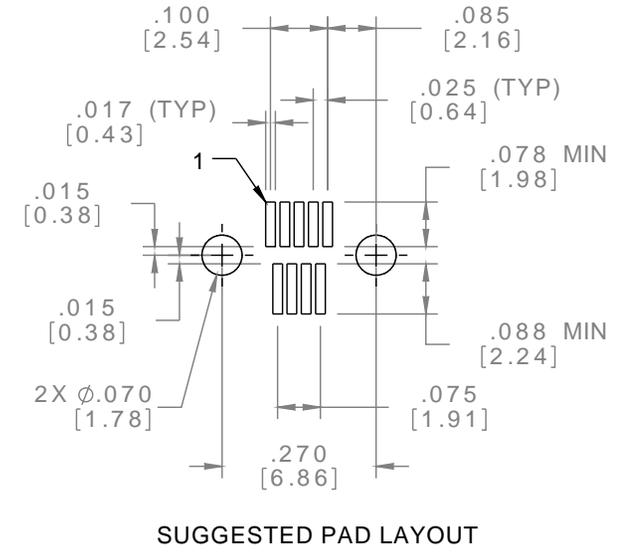
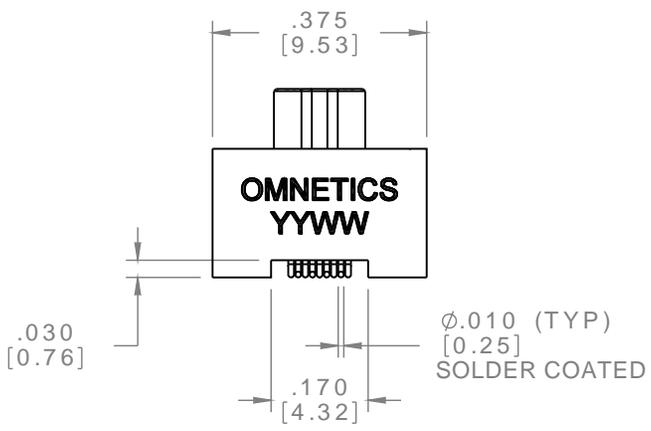
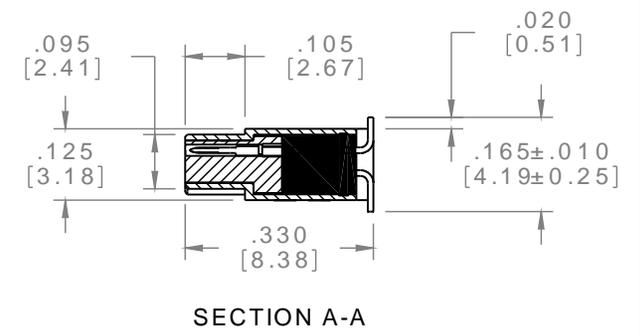
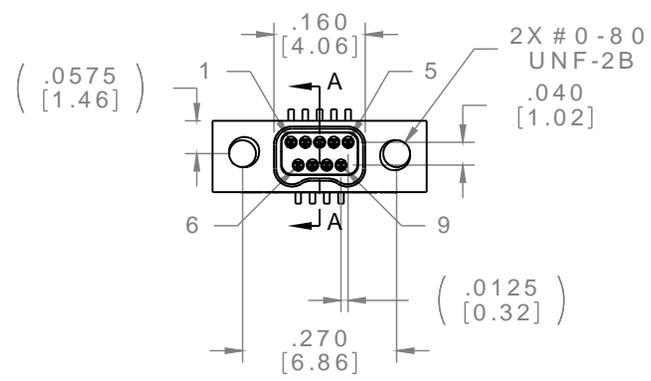
CONTACT RESISTANCE:

71 MILLIOHM MAX (71mV DROP
MAX) @ 1.0 AMPS PER MIL-DTL-
32139.

PERFORMANCE:

PRODUCT FAMILY TESTED TO AND
PASSED THE PERFORMANCE
SPECIFICATIONS OF TABLE VIII OF
MIL-DTL-32139.

PART NO.	A 28200-009	REV	ECO	DATE	APP
		G	98056	11-10-11	TLM



ACTUAL SIZE

NOTE:

DIMENSIONS IN [] ARE IN
MILLIMETERS UNLESS
OTHERWISE NOTED AND ARE
FOR REFERENCE ONLY

MNP O SLDW	THIRD ANGLE
	-TOLERANCES- UNLESS OTHERWISE NOTED
	DIMENSIONS IN INCHES

THIS DRAWING CONTAINS CONFIDENTIAL AND PROPRIETARY INFORMATION WHICH IS THE PROPERTY OF OMNETICS CONNECTOR CORP. THIS DOCUMENT MAY NOT, IN WHOLE OR IN PART, BE DUPLICATED, OR DISCLOSED FOR ANY PURPOSE, WITHOUT WRITTEN PERMISSION FROM OMNETICS CONNECTOR CORP.	
DFTM. AAS	DATE 05-05-04
CHK'D.	DATE
APP'D.	DATE

TITLE:
(9) PIN MALE
Bi-Lobe® CONNECTOR

OMNETICS
CONNECTOR CORPORATION
7260 COMMERCE CIRCLE EAST
MINNEAPOLIS, MN 55432
WWW.OMNETICS.COM

CAGE CODE 61873	
DWG NO. A28200-009	
SHEET 1 OF 1	REV G
SCALE: 3:1	