

# MATERIALS & SPECIFICATIONS

PART NO.	A28000-021	REV	ECO	DATE	APP
		G	101526	04-24-15	TLM

**HOUSING:**  
ALUMINUM 6061-T6, NICKEL PLATE PER SAE-AMS-2404

**INSULATOR:**  
LIQUID CRYSTAL POLYMER (LCP) PER ASTM D5138

**CONTACT:**  
BERYLLIUM COPPER PER ASTM B194, C17200, GOLD PLATED PER ASTM B488, (HARD GOLD) TYPE II CODE C, CLASS 1.27

**WIRE:**  
NEMA HP3 TYPE ET, COLOR CODED IAW MIL-STD-681, SYSTEM 1, USING TEN SOLID REPEATING COLORS

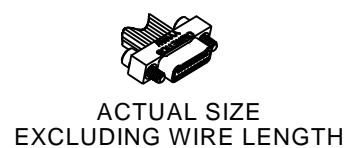
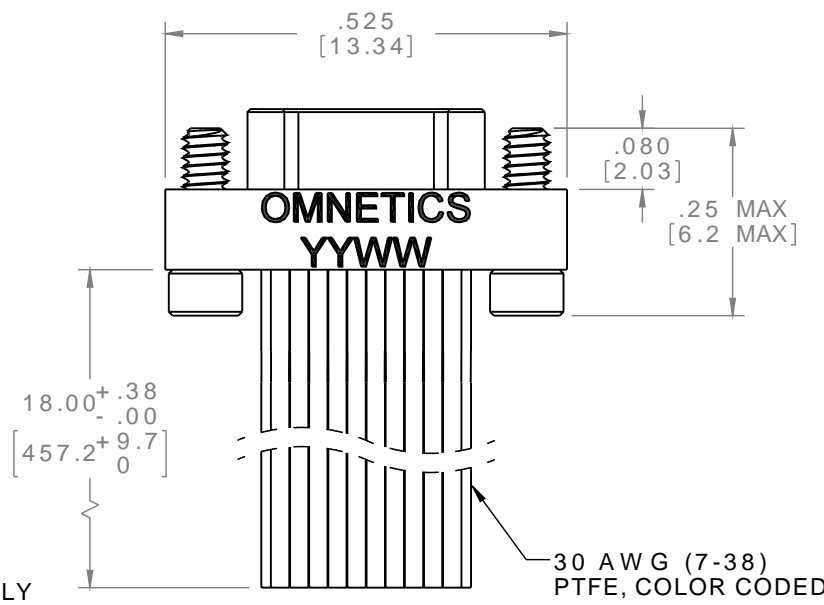
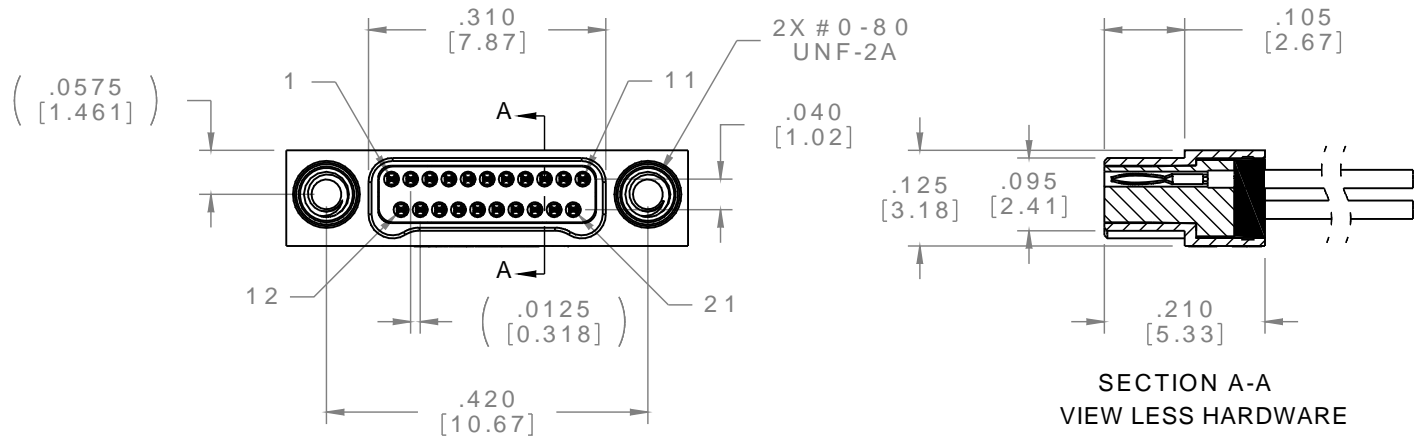
**HARDWARE:**  
303 STAINLESS STEEL PER ASTM 582

**CURRENT RATING:**  
1 AMP MAX PER MIL-DTL-32139

**CONTACT RESISTANCE:**  
71 MILLIOHM MAX (71mV DROP MAX) @ 1.0 AMPS PER MIL-DTL-32139

**PERFORMANCE:**  
PRODUCT FAMILY TESTED TO AND PASSED THE PERFORMANCE SPECIFICATIONS OF TABLE VIII OF MIL-DTL-32139

PIN #	COLOR
1, 11, 21	BLACK
2, 12	BROWN
3, 13	RED
4, 14	ORANGE
5, 15	YELLOW
6, 16	GREEN
7, 17	BLUE
8, 18	VIOLET
9, 19	GRAY
10, 20	WHITE



INTERNAL USE ONLY  
SHEET 2 OF 2 IS A  
MFG LOADING DIAGRAM

MNP/SLDW	THIRD ANGLE	THIS DRAWING CONTAINS CONFIDENTIAL AND PROPRIETARY INFORMATION WHICH IS THE PROPERTY OF OMNETICS CONNECTOR CORPORATION. THIS DOCUMENT MAY NOT, IN WHOLE OR IN PART, BE DUPLICATED, OR DISCLOSED FOR ANY PURPOSE, WITHOUT WRITTEN PERMISSION FROM OMNETICS CONNECTOR CORP.			CAGE CODE 61873	
	-TOLERANCES- UNLESS OTHERWISE NOTED DIMENSIONS IN INCHES	DFTM. AAS	DATE 05-05-04		TITLE: (21) PIN MALE Bi-Lobe® CONNECTOR	DWG NO. A28000-021
	2 PL DEC ± .01 3 PL DEC ± .005 4 PL DEC ± .0005 ANGLES ± 1°	CHK'D.	DATE	DATE	6260 COMMERCE CIRCLE EAST MINNEAPOLIS, MN 55432 WWW.OMNETICS.COM	SHEET 1 OF 2
		APP'D.	DATE	DATE		REV G