

PART NO.	A22045-001	REV	ECO	DATE	APP
		B	96708	05-06-10	TLM

MATERIALS & SPECIFICATIONS

INSULATOR:
LIQUID CRYSTAL POLYMER (LCP) PER ASTM D5138.

CONTACT:
COPPER ALLOY PER MIL-DTL-83513. GOLD PLATE PER ASTM B488, (HARD GOLD) TYPE II CODE C, CLASS 1.27.

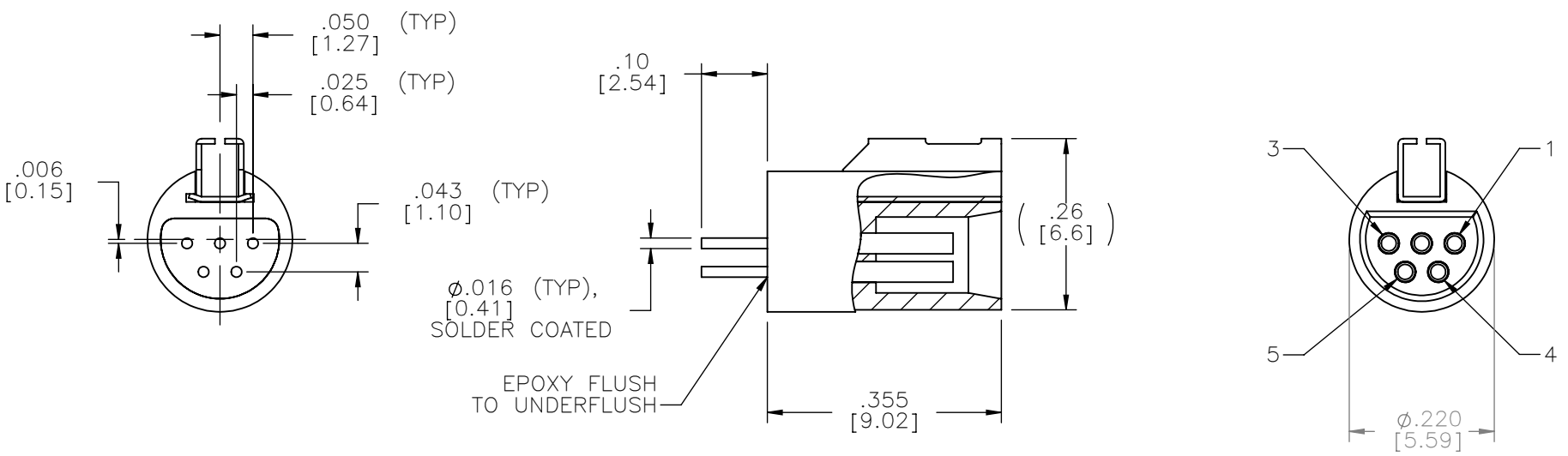
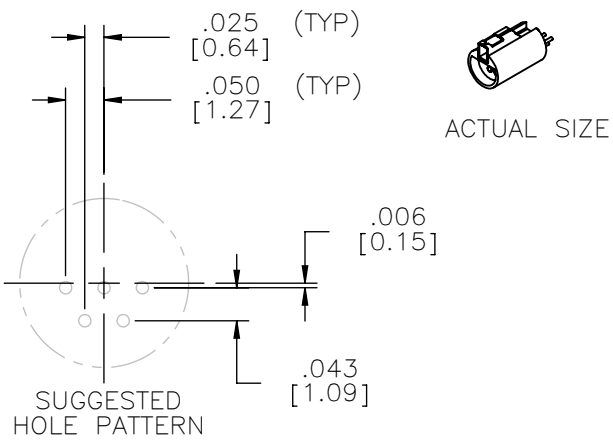
TERMINATION:
SOLDER COATED PER J-STD-006.

LATCH BOX:
BERYLLIUM COPPER PER ASTM B194 NICKEL PLATE PER AMS-C-26074

CURRENT CAPACITY:
3 AMP MAX.

CONTACT RESISTANCE:
26 MILLIOHMS (65mV) MAX @ 2.5 AMPS.

PERFORMANCE:
PRODUCT FAMILY TESTED TO AND PASSED THE PERFORMANCE SPECIFICATIONS OF TABLE VII OF MIL-DTL-83513.



REF: OMNETICS

MCS	THIRD ANGLE	THIS DRAWING CONTAINS CONFIDENTIAL AND PROPRIETARY INFORMATION WHICH IS THE PROPERTY OF OMNETICS CONNECTOR CORP. THIS DOCUMENT MAY NOT, IN WHOLE OR IN PART, BE DUPLICATED, OR DISCLOSED FOR ANY PURPOSE, WITHOUT WRITTEN PERMISSION FROM OMNETICS CONNECTOR CORP.		OMNETICS CONNECTOR CORPORATION 7260 COMMERCE CIRCLE EAST MINNEAPOLIS, MN 55432 WWW.OMNETICS.COM	CAGE CODE 61873
	SLDW	-TOLERANCES- UNLESS OTHERWISE NOTED DIMENSIONS IN INCHES	DFTM. TLM DATE 05-09-08		TITLE: (5) SOCKET FEMALE MICRO CIRCULAR CONNECTOR W/ LATCH
	2 PL DEC± .01 3 PL DEC± .005 4 PL DEC± .0005 ANGLES ± 1°	CHK'D.	DATE		SHEET 1 OF 1
		APP'D.	DATE		REV B
					SCALE: 4:1