

MATERIALS & SPECIFICATIONS

PART NO.	A22044-001	REV	ECO	DATE	APP
		D	105584	06-20-19	TLM

INSULATOR:  
LIQUID CRYSTAL POLYMER (LCP) PER ASTM D5138.

CONTACT:  
BERYLLIUM COPPER PER ASTM B194, C17200. GOLD PLATED PER ASTM B488, (HARD GOLD) TYPE II CODE C CLASS 1.27. (CONTACT MATING AREA ONLY)

TERMINATION:  
SOLDER PLATED PER AMS-P-81728.

LATCH SPRING:  
BERYLLIUM COPPER PER ASTM B194 NICKEL PLATE PER (100 MICROINCHES MINIMUM) SAE-AMS-2404

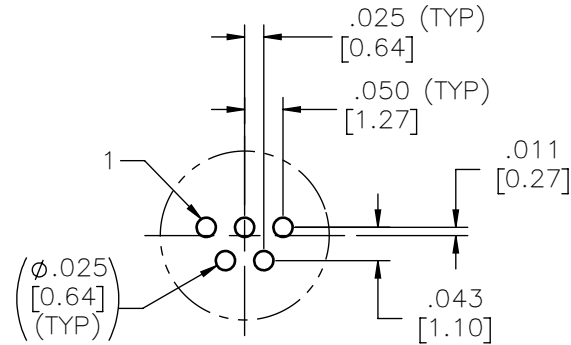
CURRENT CAPACITY:  
3 AMP MAX.

CONTACT RESISTANCE:  
26 MILLIOHMS (65mV) MAX @ 2.5 AMPS.

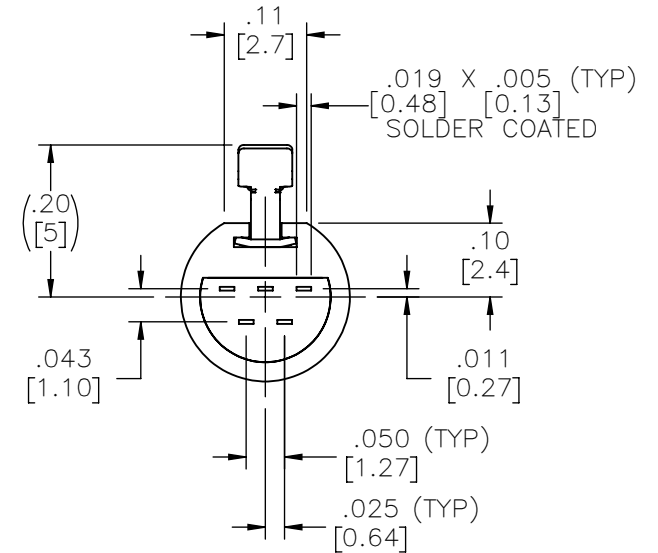
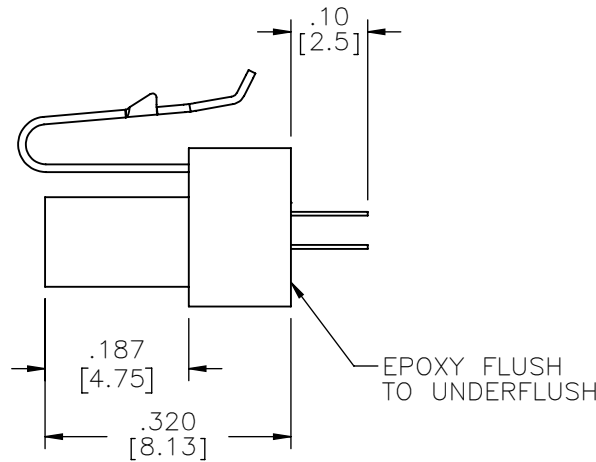
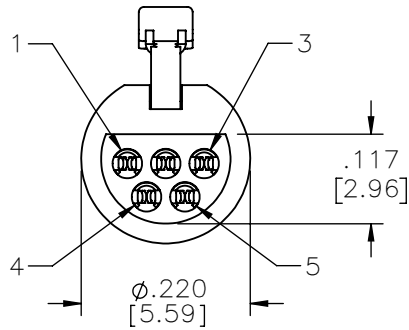
PERFORMANCE:  
PRODUCT FAMILY TESTED TO AND PASSED THE PERFORMANCE SPECIFICATIONS OF TABLE VII OF MIL-DTL-83513.



ACTUAL SIZE



SUGGESTED HOLE PATTERN



NOTE:

DIMENSIONS IN [ ] ARE IN MILLIMETERS UNLESS OTHERWISE NOTED AND ARE FOR REFERENCE ONLY

REF: OMNETICS

MCTS S/DWG	THIRD ANGLE	THIS DRAWING CONTAINS CONFIDENTIAL AND PROPRIETARY INFORMATION WHICH IS THE PROPERTY OF OMNETICS CONNECTOR CORP. THIS DOCUMENT MAY NOT, IN WHOLE OR IN PART, BE DUPLICATED, OR DISCLOSED FOR ANY PURPOSE, WITHOUT WRITTEN PERMISSION FROM OMNETICS CONNECTOR CORP.		<b>OMNETICS</b> CONNECTOR CORPORATION 7260 COMMERCE CIRCLE EAST MINNEAPOLIS, MN 55432 WWW.OMNETICS.COM	CAGE CODE <b>61873</b>	
	-TOLERANCES-	DFTM. TLM	DATE		TITLE:	DWG NO.
	UNLESS OTHERWISE NOTED	05	09-08		(5) PIN MALE	<b>A22044-001</b>
	DIMENSIONS IN INCHES	CHK'D.	DATE		MICRO CIRCULAR	SHEET 1 OF 1
2 PL DEC ± .01	APP'D.	DATE	CONNECTOR W/ LATCH	REV	D	
3 PL DEC ± .005				SCALE: 4:1		
4 PL DEC ± .0005						
ANGLES ± 1°						