

MATERIALS & SPECIFICATIONS

PART NO.	A22034-001	REV	ECO	DATE	APP
		C	102436	03-15-16	BCV

INSULATOR:
LIQUID CRYSTAL POLYMER (LCP) PER ASTM D5138.

CONTACT:
BERYLLIUM COPPER PER ASTM B194, C17200. GOLD PLATED PER ASTM B488, (HARD GOLD) TYPE II CODE C CLASS 1:27.

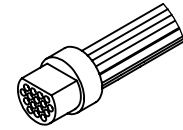
TERMINATION:
26 AWG (7-34) TYPE E, PER NEMA HP3, COLOR CODED PER TABLE.

CURRENT CAPACITY:
3 AMP MAX.

CONTACT RESISTANCE:
26 MILLIOHMS (65mV) MAX @ 2.5 AMPS.

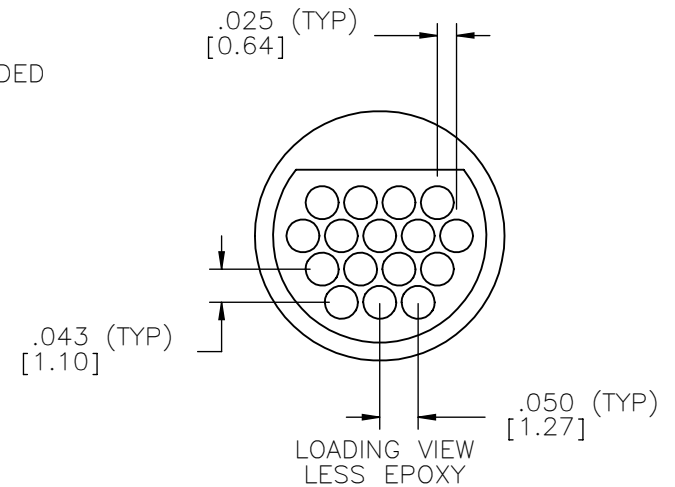
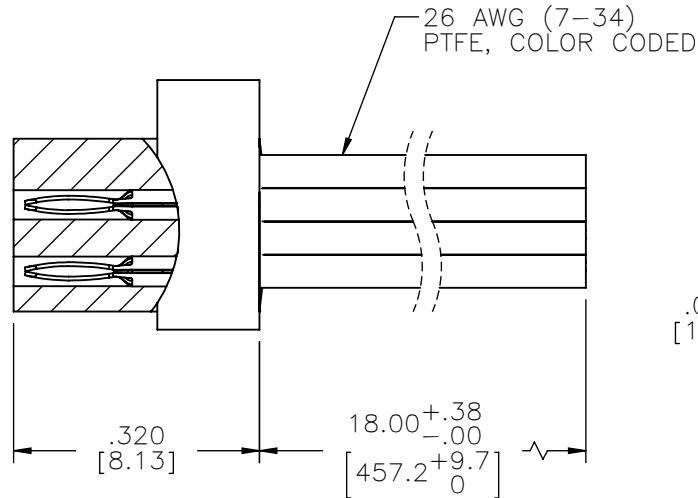
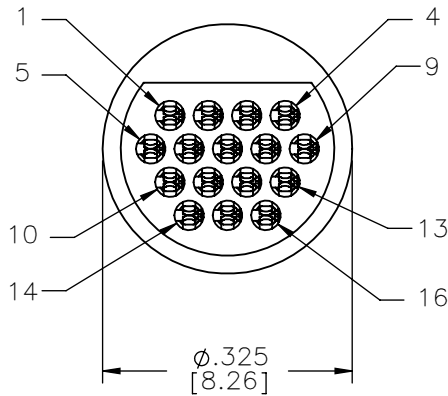
PERFORMANCE:
PRODUCT FAMILY TESTED TO AND PASSED THE PERFORMANCE SPECIFICATIONS OF TABLE VII OF MIL-DTL-83513.

PIN #	COLOR	PIN #	COLOR
1	BLACK	9	GRAY
2	BROWN	10	WHITE
3	RED	11	WHT/BLK
4	ORANGE	12	WHT/BRN
5	YELLOW	13	WHT/RED
6	GREEN	14	WHT/ORN
7	BLUE	15	WHT/YEL
8	VIOLET	16	WHT/GRN



ACTUAL SIZE EXCLUDING WIRE LENGTH

INTERNAL USE ONLY
USE MFG LOADING
PROCEDURE MC-16P-1



MCP	THIRD ANGLE
	-TOLERANCES-
SLDW	UNLESS OTHERWISE NOTED
	DIMENSIONS IN INCHES
	2 PL DEC ± .01
	3 PL DEC ± .005
	4 PL DEC ± .0005
	ANGLES ± 1°

THIS DRAWING CONTAINS CONFIDENTIAL AND PROPRIETARY INFORMATION WHICH IS THE PROPERTY OF OMNETICS CONNECTOR CORP. THIS DOCUMENT MAY NOT, IN WHOLE OR IN PART, BE DUPLICATED, OR DISCLOSED FOR ANY PURPOSE, WITHOUT WRITTEN PERMISSION FROM OMNETICS CONNECTOR CORP.

DFTM. TLM	DATE
CHK'D.	DATE
APP'D.	DATE

TITLE:
(16) PIN MALE
MICRO CIRCULAR
CONNECTOR

OMNETICS
CONNECTOR CORPORATION
7260 COMMERCE CIRCLE EAST
MINNEAPOLIS, MN 55432
WWW.OMNETICS.COM

CAGE CODE	61873
DWG NO.	A22034-001
SHEET 1 OF 1	REV C
SCALE:	4:1