

MATERIALS & SPECIFICATIONS

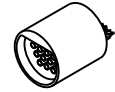
PART NO.	A 22033-001	REV	ECO	DATE	APP
		C	98556	05-18-12	TLM

INSULATOR:

LIQUID CRYSTAL POLYMER (LCP) PER ASTM D5138.

CONTACT:

COPPER ALLOY PER MIL-DTL-83513. GOLD PLATE PER ASTM B488, (HARD GOLD) TYPE II CODE C, CLASS 1.27



ACTUAL SIZE

TERMINATION:

COPPER ALLOY PER MIL-DTL-83513 GOLD PLATED PER ASTM B488, (HARD GOLD) TYPE II CODE C CLASS 1.27.

CURRENT CAPACITY:

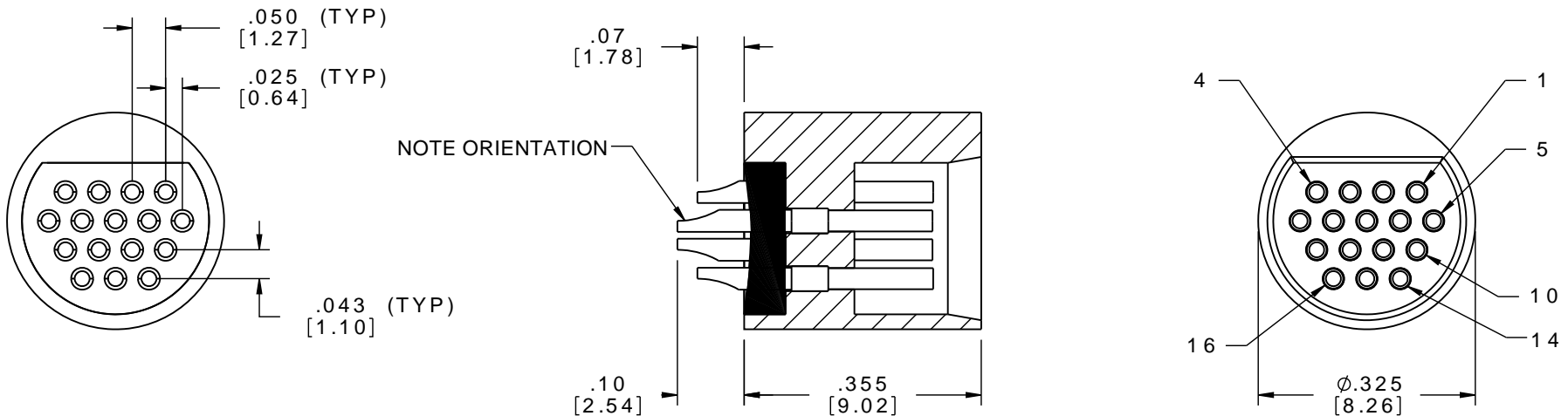
3 AMP MAX.

CONTACT RESISTANCE:

26 MILLIOHMS (65mV) MAX @ 2.5 AMPS.

PERFORMANCE:

PRODUCT FAMILY TESTED TO AND PASSED THE PERFORMANCE SPECIFICATIONS OF TABLE VII OF MIL-DTL-83513.



RoHS

MCS SLDW	THIRD ANGLE	THIS DRAWING CONTAINS CONFIDENTIAL AND PROPRIETARY INFORMATION WHICH IS THE PROPERTY OF OMNETICS CONNECTOR CORPORATION. THIS DOCUMENT MAY NOT, IN WHOLE OR IN PART, BE DUPLICATED, OR DISCLOSED FOR ANY PURPOSE, WITHOUT WRITTEN PERMISSION FROM OMNETICS CONNECTOR CORP.		OMNETICS CONNECTOR CORPORATION 7260 COMMERCE CIRCLE EAST MINNEAPOLIS, MN 55432 WWW.OMNETICS.COM	CAGE CODE 61873		
	-TOLERANCES- UNLESS OTHERWISE NOTED	DFTM. TLM	DATE 01-04-08		TITLE:	DWG NO. A 22033-001	
	DIMENSIONS IN INCHES	CHK'D.	DATE		(16) SOCKET FEMALE MICRO CIRCULAR CONNECTOR	SHEET 1 OF 1	
	2 PL DEC ± .01 3 PL DEC ± .005 4 PL DEC ± .0005 ANGLES ± 1°	APP'D.	DATE			REV C	SCALE: 4:1