

PART NO.	A 22032-001	REV	ECO	DATE	APP
		B	96708	05-06-10	TLM

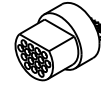
MATERIALS & SPECIFICATIONS

INSULATOR:

LIQUID CRYSTAL POLYMER (LCP) PER ASTM D5138.

CONTACT:

BERYLLIUM COPPER PER ASTM B194, C17200.
GOLD PLATED PER ASTM B488, (HARD GOLD)
TYPE II CODE C CLASS 1.27.



ACTUAL SIZE

TERMINATION:

COPPER ALLOY PER MIL-DTL-83513 MATT SOLDER
PLATE .0001-.0002 THICK PER AMS-P-81728
AND/OR GOLD PLATED PER ASTM B488, (HARD
GOLD) TYPE II CODE C CLASS 1.27.

CURRENT CAPACITY:

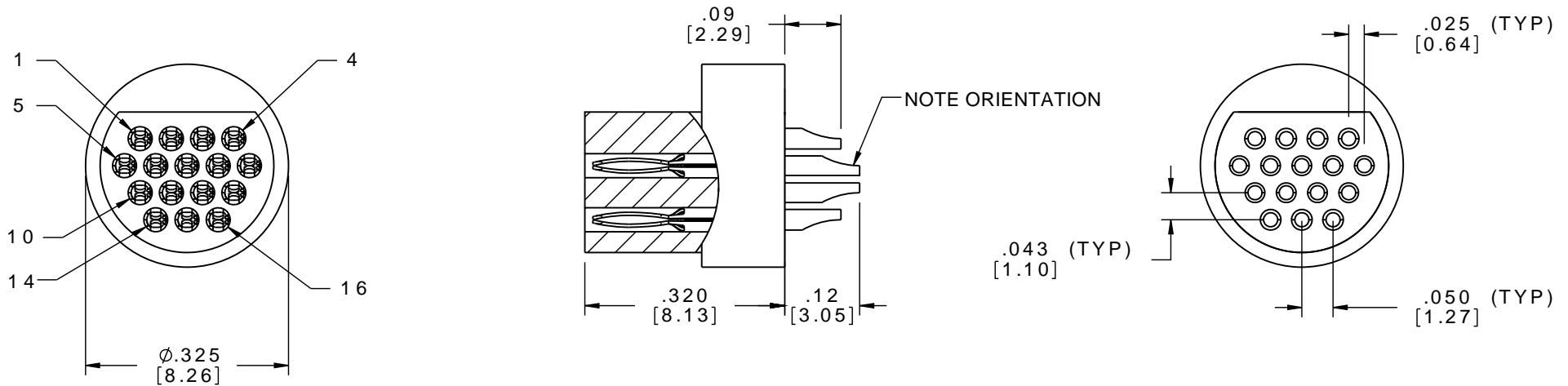
3 AMP MAX.

CONTACT RESISTANCE:

26 MILLIOHMS (65mV) MAX @ 2.5 AMPS.

PERFORMANCE:

PRODUCT FAMILY TESTED TO AND PASSED THE
PERFORMANCE SPECIFICATIONS OF TABLE VII OF
MIL-DTL-83513.



REF: OMNETICS

MCP SLDW	THIRD ANGLE	THIS DRAWING CONTAINS CONFIDENTIAL AND PROPRIETARY INFORMATION WHICH IS THE PROPERTY OF OMNETICS CONNECTOR CORPORATION. THIS DOCUMENT MAY NOT, IN WHOLE OR IN PART, BE DUPLICATED, OR DISCLOSED FOR ANY PURPOSE, WITHOUT WRITTEN PERMISSION FROM OMNETICS CONNECTOR CORP.		 OMNETICS CONNECTOR CORPORATION 7260 COMMERCE CIRCLE EAST MINNEAPOLIS, MN 55432 WWW.OMNETICS.COM	CAGE CODE 61873	
	-TOLERANCES- UNLESS OTHERWISE NOTED	DFTM. TLM	DATE 01-03-08		TITLE: (16) PIN MALE MICRO CIRCULAR CONNECTOR	DWG NO. A22032-001
	DIMENSIONS IN INCHES	CHK'D.	DATE		SHEET 1 OF 1	
	2 PL DEC ± .01 3 PL DEC ± .005 4 PL DEC ± .0005 ANGLES ± 1°	APP'D.	DATE		REV B	SCALE: 4:1