

MATERIALS & SPECIFICATIONS

PART NO.	A22009-001	REV	ECO	DATE	APP
		E	96201	09-18-09	TLM

INSULATOR: LIQUID CRYSTAL POLYMER (LCP) PER ASTM D5138.

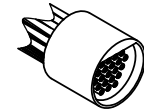
CONTACT: COPPER ALLOY PER MIL-DTL-83513. GOLD PLATED PER ASTM B488, (HARD GOLD) TYPE II CODE C CLASS 1.27.

TERMINATION: 26 AWG (7-34) TYPE E. PER NEMA HP3, COLOR CODED PER TABLE

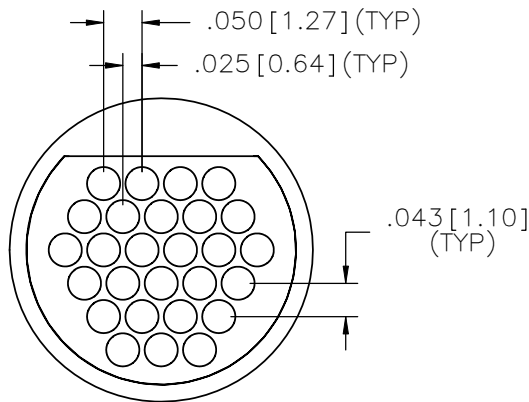
CURRENT CAPACITY 3 AMP MAX.

CONTACT RESISTANCE 26 MILLIOHMS (65mV) MAX @ 2.5 AMPS.

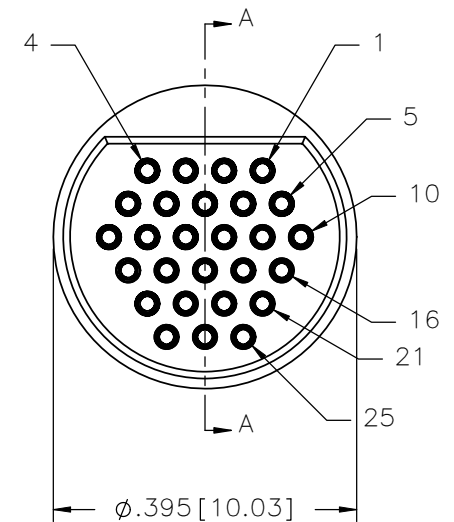
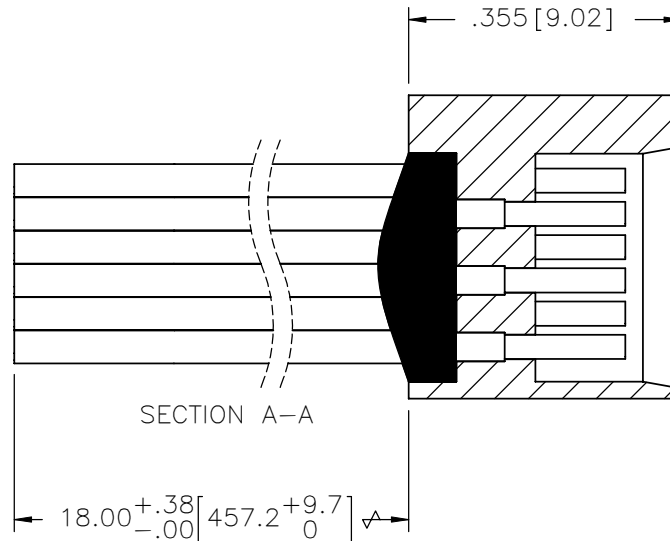
PERFORMANCE: PRODUCT FAMILY TESTED TO AND PASSED THE PERFORMANCE SPECIFICATIONS OF TABLE VII OF MIL-DTL-83513.



ACTUAL SIZE EXCLUDING WIRE LENGTH



LOADING VIEW LESS EPOXY



SOCKET #	COLOR
1, 11, 21	BLACK
2, 12, 22	BROWN
3, 13, 23	RED
4, 14, 24	ORANGE
5, 15, 25	YELLOW
6, 16, 26	GREEN
7, 17, 27	BLUE
8, 18	VIOLET
9, 19	GRAY
10, 20	WHITE

REF: OMNETICS

MOS SLDW	THIRD ANGLE
	-TOLERANCES-
	UNLESS OTHERWISE NOTED
	DIMENSIONS IN INCHES
2 PL DEC ± .01	DFTM. PER
3 PL DEC ± .005	DATE 02-28-01
4 PL DEC ± .0005	CHK'D.
ANGLES ± 1°	APP'D.

THIS DRAWING CONTAINS CONFIDENTIAL AND PROPRIETARY INFORMATION WHICH IS THE PROPERTY OF OMNETICS CONNECTOR CORP. THIS DOCUMENT MAY NOT, IN WHOLE OR IN PART, BE DUPLICATED, OR DISCLOSED FOR ANY PURPOSE, WITHOUT WRITTEN PERMISSION FROM OMNETICS CONNECTOR CORP.

TITLE:
(27) SOCKET FEMALE
CIRCULAR
CONNECTOR

OMNETICS
CONNECTOR CORPORATION
7260 COMMERCE CIRCLE EAST
MINNEAPOLIS, MN 55432
WWW.OMNETICS.COM

CAGE CODE	61873
DWG NO.	A22009-001
SHEET 1 OF 1	REV E
SCALE: 4:1	