

MATERIALS & SPECIFICATIONS

PART NO.	A22004-001	REV	ECO	DATE	APP
		F	101115	12-09-14	BCV

INSULATOR: LIQUID CRYSTAL POLYMER (LCP) PER ASTM D5138.

CONTACT: BERYLLIUM COPPER PER ASTM B194, C17200. GOLD PLATED PER ASTM B488, (HARD GOLD) TYPE II CODE C CLASS 1.27.

TERMINATION: COPPER ALLOY PER MIL-DTL-83513 MATT SOLDER PLATE .0001-.0002 THICK PER AMS-P-81728 AND/OR GOLD PLATE ASTM B488, (HARD GOLD) TYPE II CODE C CLASS 1.27

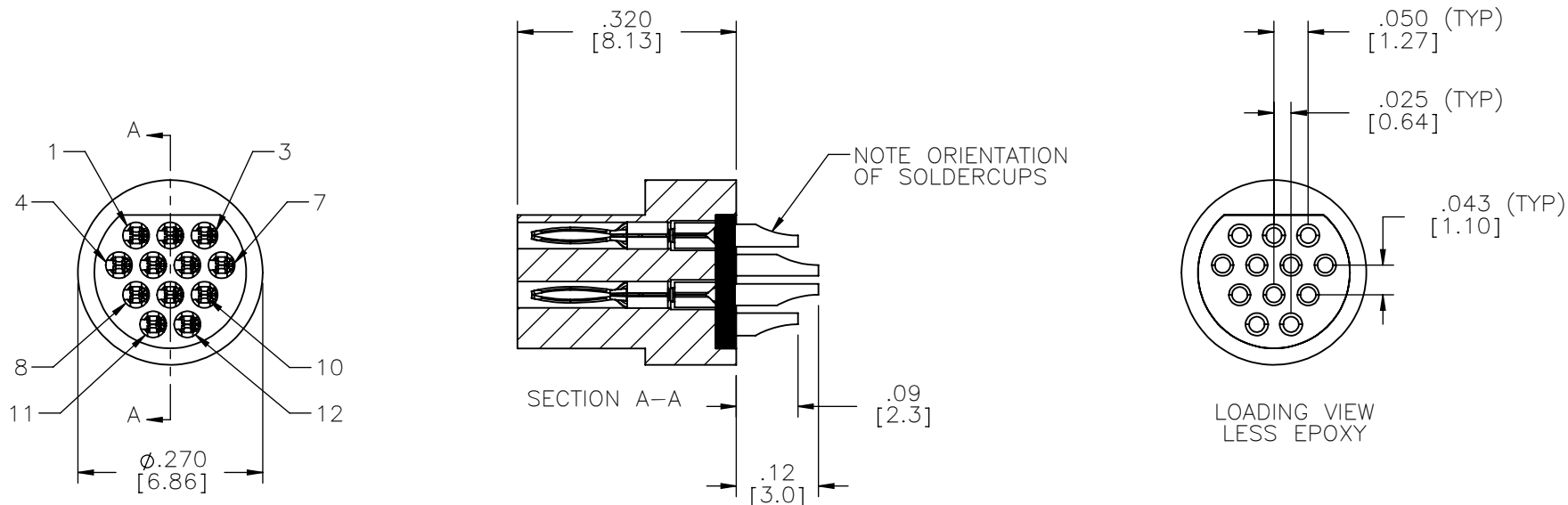
CURRENT CAPACITY 3 AMP MAX.

CONTACT RESISTANCE 26 MILLIOHMS (65mV) MAX @ 2.5 AMPS.

PERFORMANCE: PRODUCT FAMILY TESTED TO AND PASSED THE PERFORMANCE SPECIFICATIONS OF TABLE VII OF MIL-DTL-83513.



ACTUAL SIZE



NOTE:
DIMENSIONS IN [] ARE IN MILLIMETERS UNLESS OTHERWISE NOTED AND ARE FOR REFERENCE ONLY

REF: OMNETICS

MCTC SLDW	THIRD ANGLE	THIS DRAWING CONTAINS CONFIDENTIAL AND PROPRIETARY INFORMATION WHICH IS THE PROPERTY OF OMNETICS CONNECTOR CORP. THIS DOCUMENT MAY NOT, IN WHOLE OR IN PART, BE DUPLICATED, OR DISCLOSED FOR ANY PURPOSE, WITHOUT WRITTEN PERMISSION FROM OMNETICS CONNECTOR CORP.		<h1>OMNETICS</h1> <p>CONNECTOR CORPORATION 7260 COMMERCE CIRCLE EAST MINNEAPOLIS, MN 55432 WWW.OMNETICS.COM</p>	CAGE CODE 61873		
	-TOLERANCES-	DFTM. PMX	DATE 2/28/2001		TITLE:	DWG NO. A22004-001	
	UNLESS OTHERWISE NOTED	CHK'D.	DATE		(12) PIN MALE	SHEET 1 OF 1	
	DIMENSIONS IN INCHES	APP'D.	DATE		CIRCULAR CONNECTOR W/SOLDERCUPS	REV F	SCALE: 4:1