

MATERIAL & SPECIFICATIONS

PART NO.	A22002-001	REV	ECO	DATE	APP
		F	102546	05-02-16	TLM

INSULATOR:

LIQUID CRYSTAL POLYMER (LCP) PER ASTM D5138.

CONTACT:

BERYLLIUM COPPER PER ASTM B194, C17200. GOLD PLATED PER ASTM B488, (HARD GOLD) TYPE II CODE C CLASS 1.27.

TERMINATION:

26 AWG (7-34) TYPE E PER NEMA HP3, COLOR CODED PER TABLE.

CURRENT CAPACITY:

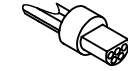
3 AMP MAX.

CONTACT RESISTANCE:

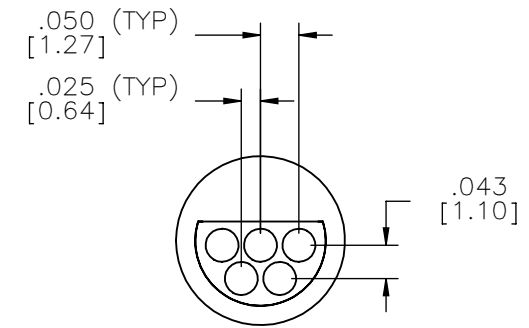
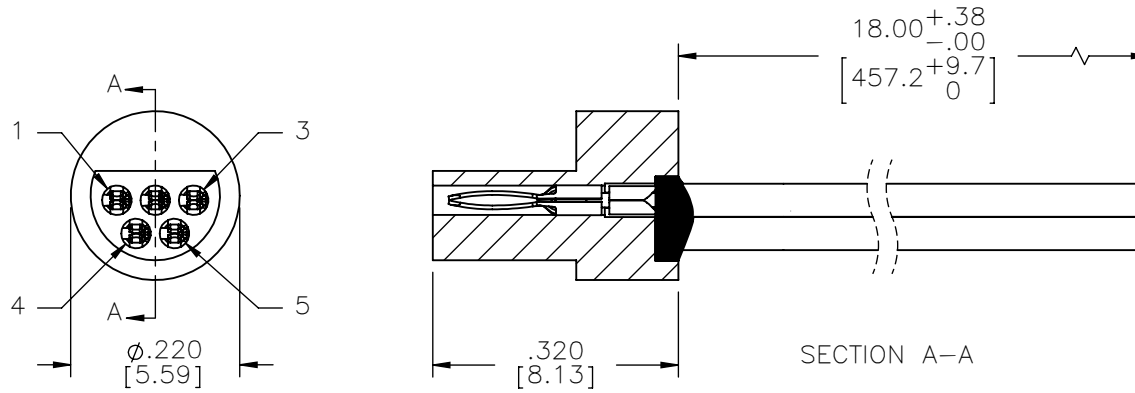
26 MILLIOHMS (65 mv) MAX @ 2.5 AMPS

PERFORMANCE:

PRODUCT FAMILY TESTED TO AND PASSED THE PERFORMANCE SPECIFICATIONS OF TABLE VII OF MIL-DTL-83513



ACTUAL SIZE
EXCLUDING WIRE LENGTH



LOADING VIEW
LESS EPOXY

PIN #	COLOR
1	BLACK
2	BROWN
3	RED
4	ORANGE
5	YELLOW

INTERNAL USE ONLY
USE MFG LOADING
PROCEDURE MC-5P

RoHS

NOTE:

DIMENSIONS IN [] ARE IN MILLIMETERS UNLESS OTHERWISE NOTED AND ARE FOR REFERENCE ONLY

MGT'S / S/DW	THIRD ANGLE	THIS DRAWING CONTAINS CONFIDENTIAL AND PROPRIETARY INFORMATION WHICH IS THE PROPERTY OF OMNETICS CONNECTOR CORP. THIS DOCUMENT MAY NOT, IN WHOLE OR IN PART, BE DUPLICATED, OR DISCLOSED FOR ANY PURPOSE, WITHOUT WRITTEN PERMISSION FROM OMNETICS CONNECTOR CORP.	
	-TOLERANCES-	DFTM. PER	DATE
	UNLESS OTHERWISE NOTED	02-28-01	TITLE:
	DIMENSIONS IN INCHES	CHK'D.	(5) PIN MALE CIRCULAR CONNECTOR
2 PL DEC ± .01	APP'D.	DATE	
3 PL DEC ± .005			
4 PL DEC ± .0005			
ANGLES ± 1°			

OMNETICS
CONNECTOR CORPORATION
7260 COMMERCE CIRCLE EAST
MINNEAPOLIS, MN 55432
WWW.OMNETICS.COM

CAGE CODE 61873	
DWG NO. A22002-001	
SHEET 1 OF 1	REV F
SCALE: 4:1	