

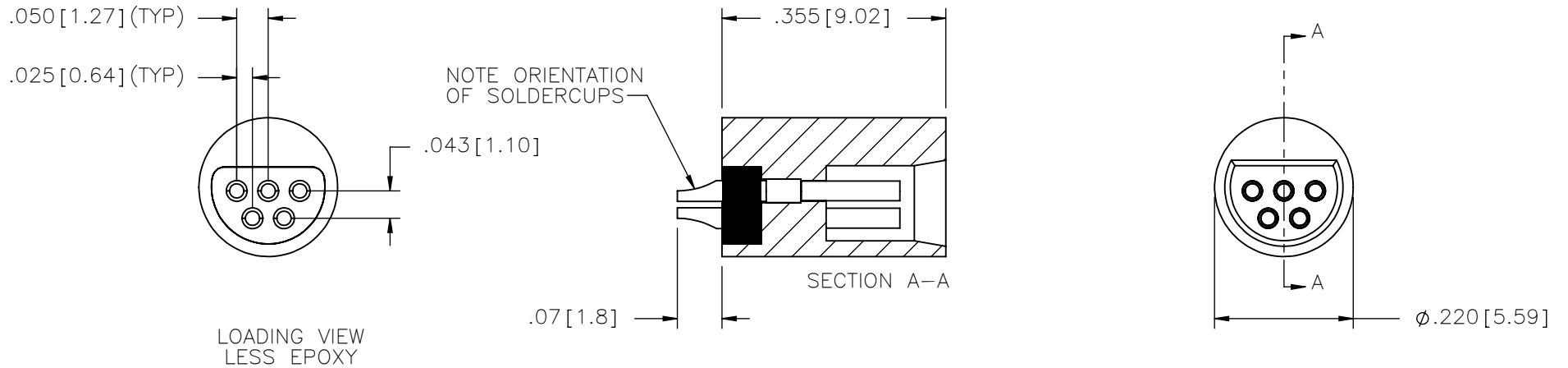
MATERIALS & SPECIFICATIONS

PART NO.	A22001-001	REV	ECO	DATE	APP
		F	98556	05-18-12	TLM

INSULATOR: LIQUID CRYSTAL POLYMER (LCP) PER ASTM D5138.
 CONTACT: COPPER ALLOY PER MIL-DTL-83513. GOLD PLATED PER
 ASTM B488, (HARD GOLD) TYPE II CODE C CLASS 1.27
 TERMINATION: COPPER ALLOY PER MIL-DTL-83513. GOLD PLATED PER
 ASTM B488, (HARD GOLD) TYPE II CODE C CLASS 1.27
 CURRENT CAPACITY 3 AMP MAX.
 CONTACT RESISTANCE 26 MILLIOHMS (65mV) MAX @ 2.5 AMPS.
 PERFORMANCE: PRODUCT FAMILY TESTED TO AND PASSED THE PERFORMANCE
 SPECIFICATIONS OF TABLE VII OF MIL-DTL-83513.



ACTUAL SIZE



RoHS

MCTS S/DW	THIRD ANGLE	THIS DRAWING CONTAINS CONFIDENTIAL AND PROPRIETARY INFORMATION WHICH IS THE PROPERTY OF OMNETICS CONNECTOR CORP. THIS DOCUMENT MAY NOT, IN WHOLE OR IN PART, BE DUPLICATED, OR DISCLOSED FOR ANY PURPOSE, WITHOUT WRITTEN PERMISSION FROM OMNETICS CONNECTOR CORP.		OMNETICS CONNECTOR CORPORATION 7260 COMMERCE CIRCLE EAST MINNEAPOLIS, MN 55432 WWW.OMNETICS.COM	CAGE CODE 61873	
	-TOLERANCES- UNLESS OTHERWISE NOTED DIMENSIONS IN INCHES 2 PL DEC ± .01 3 PL DEC ± .005 4 PL DEC ± .0005 ANGLES ± 1°	DFTM. PER DATE 02-28-01 CHK'D. DATE APP'D. DATE	TITLE: (5) SOCKET FEMALE CIRCULAR CONNECTOR W/SOLDERCUPS		DWG NO. A22001-001 SHEET 1 OF 1 SCALE: 4:1	REV F