

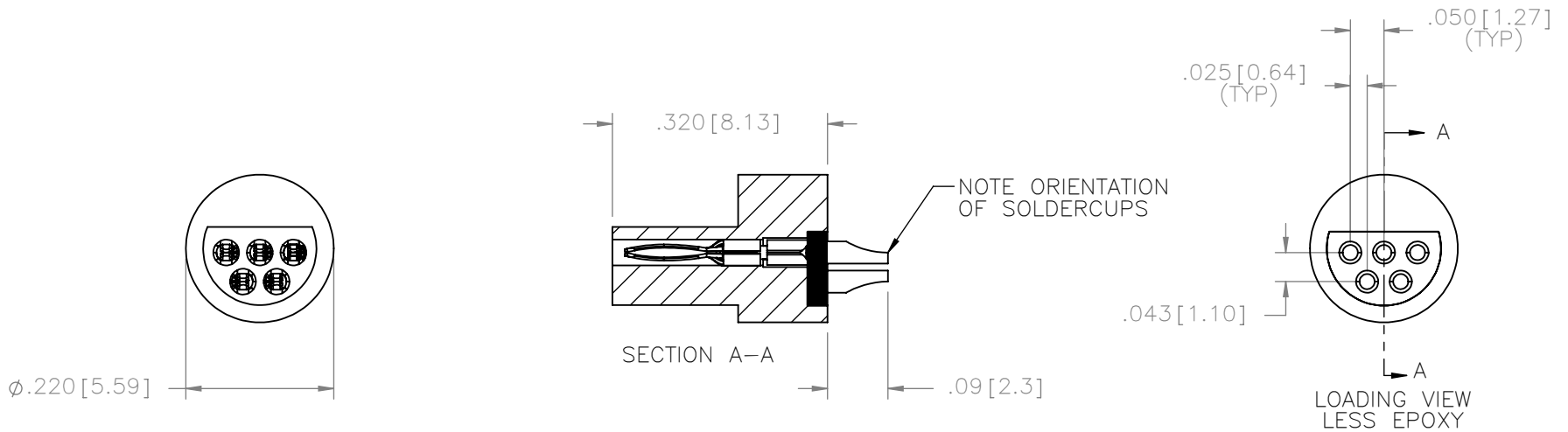
MATERIALS & SPECIFICATIONS

PART NO.	A22000-001	REV	ECO	DATE	APP
		E	96201	09-18-09	TLM

INSULATOR: LIQUID CRYSTAL POLYMER (LCP) PER ASTM D5138.
 CONTACT: BERYLLIUM COPPER PER ASTM B194, C17200. GOLD PLATED PER ASTM B488, (HARD GOLD) TYPE II CODE C CLASS 1.27.
 TERMINATION: COPPER ALLOY PER MIL-DTL-83513 MATT SOLDER PLATE .0001-.0002 THICK PER AMS-P-81728.
 CURRENT CAPACITY 3 AMP MAX.
 CONTACT RESISTANCE 26 MILLIOHMS (65mV) MAX @ 2.5 AMPS.
 PERFORMANCE: PRODUCT FAMILY TESTED TO AND PASSED THE PERFORMANCE SPECIFICATIONS OF TABLE VII OF MIL-DTL-83513.



ACTUAL SIZE



REF: OMNETICS

MCP	THIRD ANGLE	THIS DRAWING CONTAINS CONFIDENTIAL AND PROPRIETARY INFORMATION WHICH IS THE PROPERTY OF OMNETICS CONNECTOR CORP. THIS DOCUMENT MAY NOT, IN WHOLE OR IN PART, BE DUPLICATED, OR DISCLOSED FOR ANY PURPOSE, WITHOUT WRITTEN PERMISSION FROM OMNETICS CONNECTOR CORP.	DATE 02-28-01	TITLE: (5) PIN MALE CIRCULAR CONNECTOR W/ SOLDERCUPS	 OMNETICS CONNECTOR CORPORATION 7260 COMMERCE CIRCLE EAST MINNEAPOLIS, MN 55432 WWW.OMNETICS.COM	CAGE CODE 61873
	UNLESS OTHERWISE NOTED DIMENSIONS IN INCHES					DFTM. PER
SLDW	2 PL DEC $\pm .01$		DATE			SHEET 1 OF 1
	3 PL DEC $\pm .005$	CHK'D.	DATE			REV E
	4 PL DEC $\pm .0005$	APP'D.	DATE			SCALE: 4:1
	ANGLES $\pm 1^\circ$					