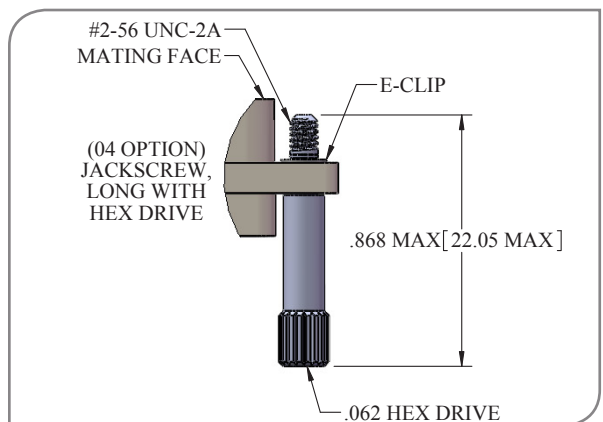
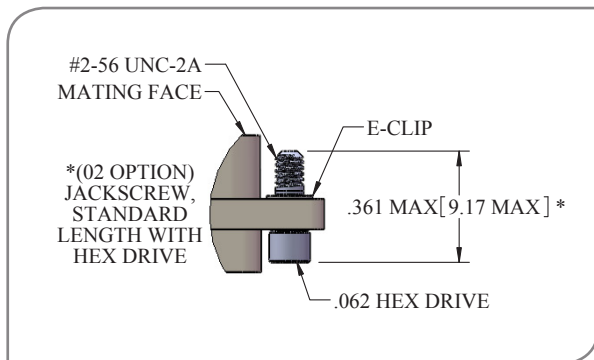
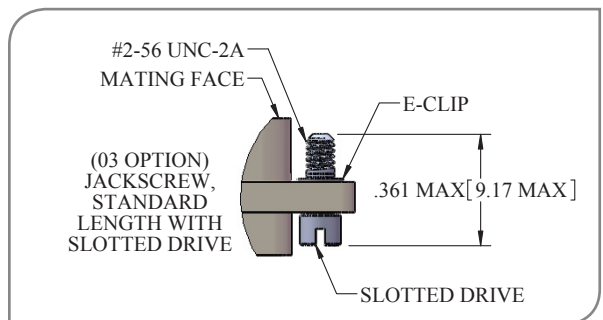
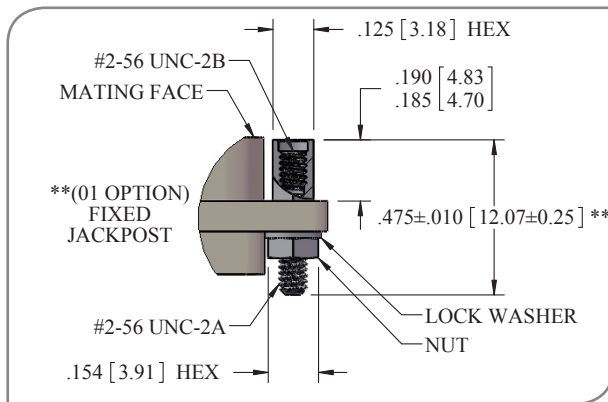
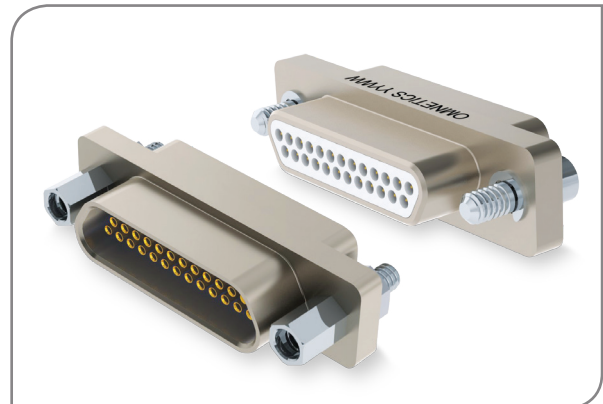
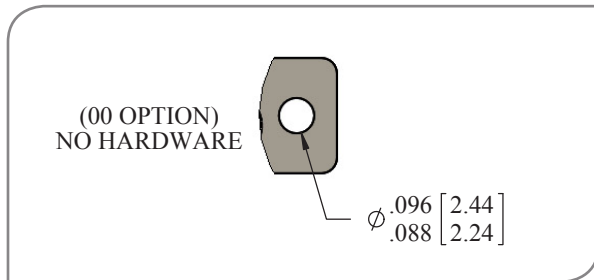
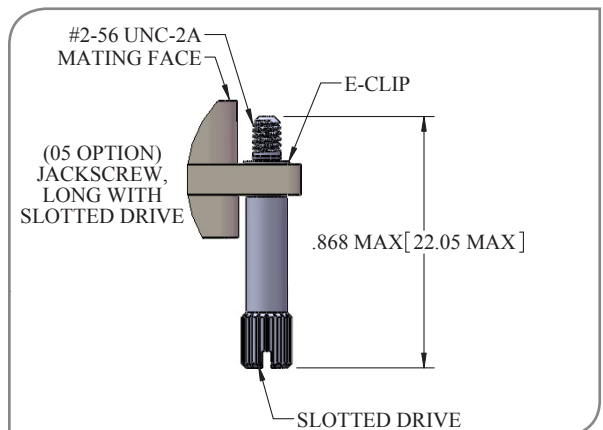


Hardware Selection

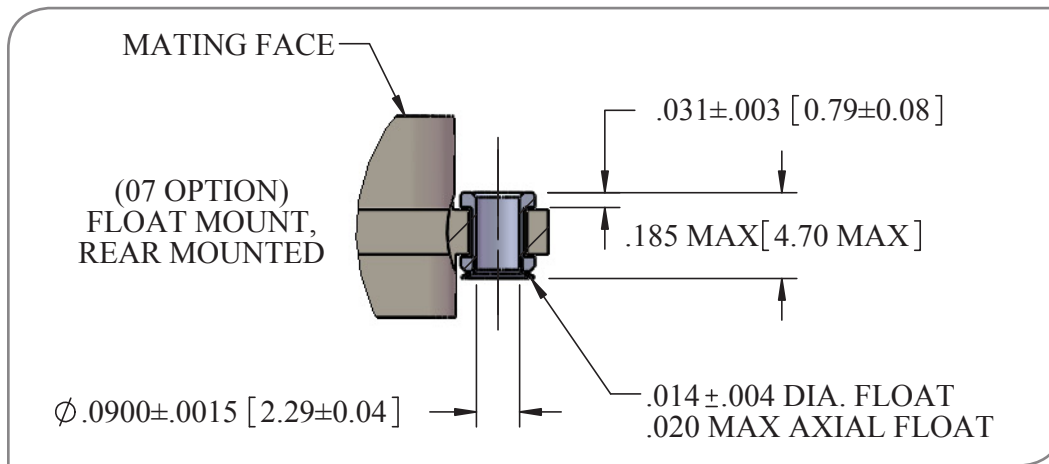
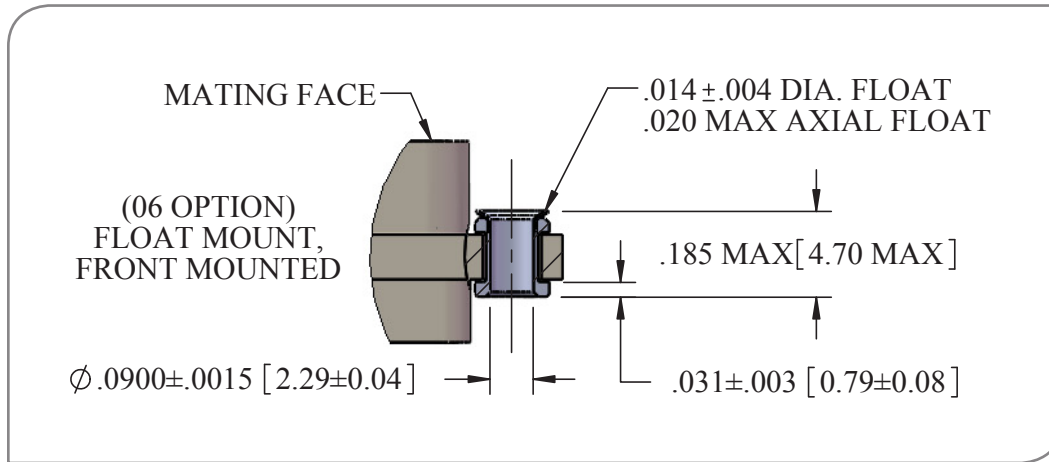


*FOR ALL TYPES EXCEPT HORIZONTAL SURFACE MOUNT (H0). OVERALL LENGTH FOR STANDARD H0 JACKSCREW IS .485 [12.32] MAX.

**FOR ALL TYPES EXCEPT S2 AND R2. OVERALL LENGTH FOR STANDARD S2 JACKPOST IS .560 [14.22] MAX AND .385 [9.78] MAX FOR R2.



Hardware Selection Cont...



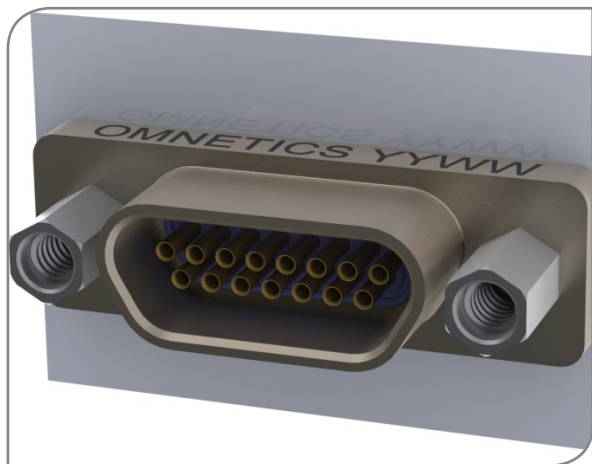
TO ORDER LOOSE HARDWARE SEPARATELY, USE OMNETICS PART NUMBERS BELOW

Kit Description	Omnetics Part #	Hardware Code (Ref)
Jackscrew Assembly, #2-56, Standard Length with Hex Drive	A97007-001	02
Jackscrew Assembly, #2-56, Standard Length with Slotted Drive	A97008-001	03
Jackscrew Assembly, #2-56, Extended Length with Hex Drive	A97007-002	04
Jackscrew Assembly, #2-56, Extended Length with Slotted Drive	A97008-002	05
Jackscrew Assembly, #2-56, Standard Length with Hex Drive* (H0)	A97007-003	02
Jackpost Assembly, Standard	A97009-001	01
Jackpost Assembly, Extended** (S2)	A97009-002	01
Jackpost Assembly, Short** (R2)	A97009-003	01

*FOR ALL TYPES EXCEPT HORIZONTAL SURFACE MOUNT (H0). OVERALL LENGTH FOR STANDARD H0 JACKSCREW IS .485 [12.32] MAX.

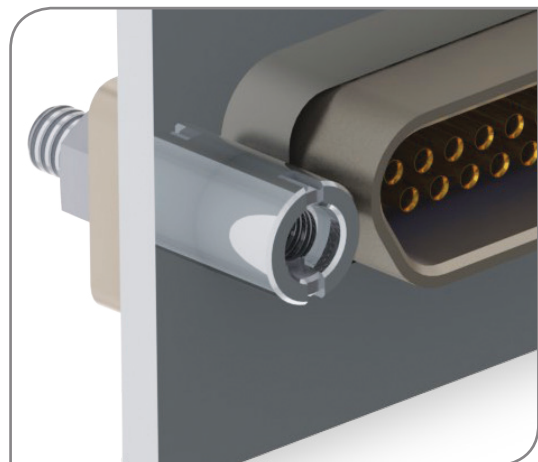
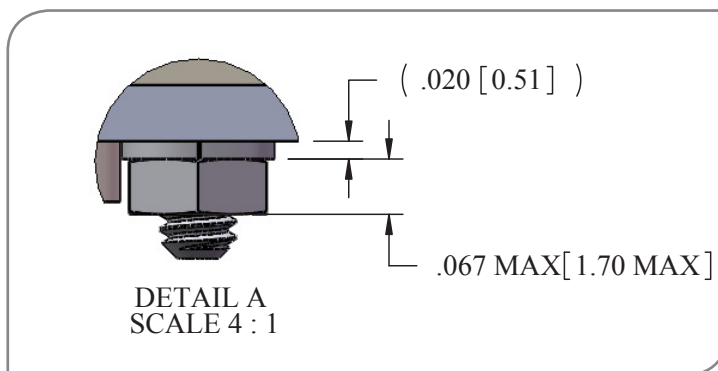
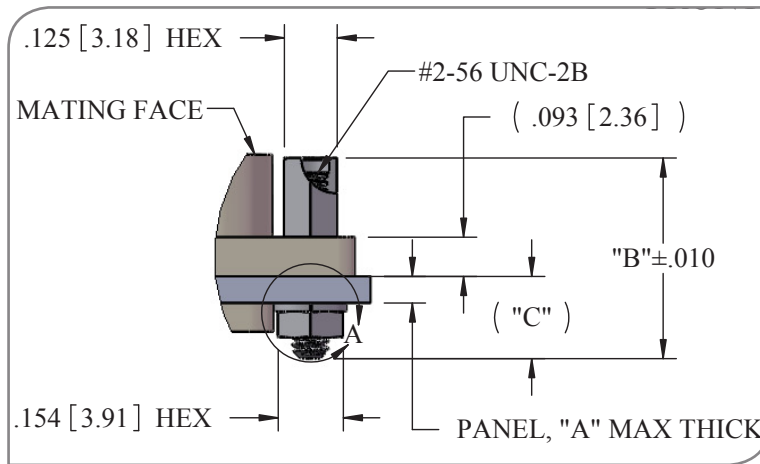
**FOR ALL TYPES EXCEPT S2 AND R2. OVERALL LENGTH FOR STANDARD S2 JACKPOST IS .560 [14.22] MAX AND .385 [9.78] MAX FOR R2.

Panel Mount Hardware Selection



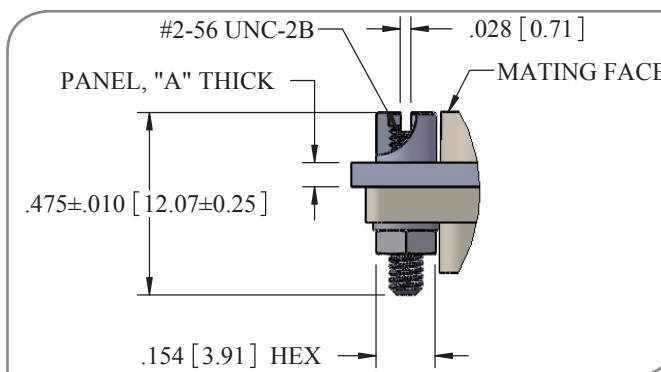
FRONT MOUNT

EACH KIT INCLUDES TWO JACKPOSTS, WASHERS, AND NUTS. FOR USE WITH REGULAR WIRED OR SOLDERCUP MICRO-D CONNECTORS.



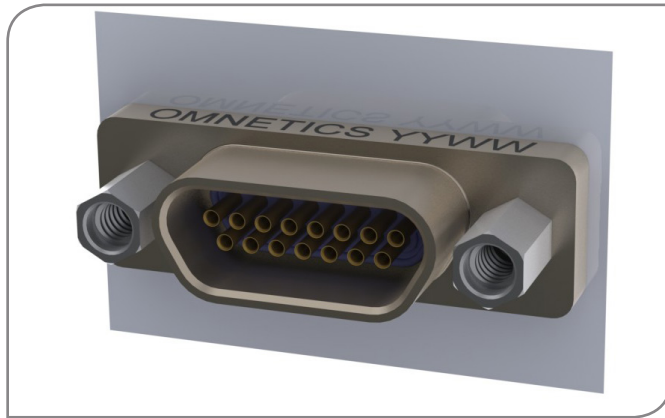
REAR MOUNT

English (IN)			Metric (mm)			Omnetics Part #
"A"	"B"	"C"	"A"	"B"	"C"	
.05	.475	.195	1.3	12.07	4.94	A 97006-001
.13	.550	.270	3.2	13.97	6.85	A 97006-002

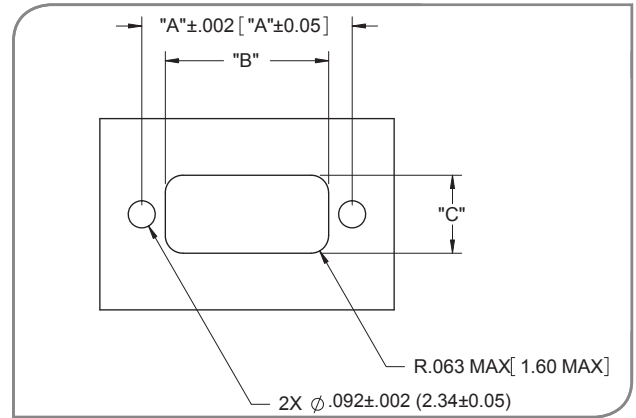


English (IN)		Metric (mm)		Omnetics Part #
"A"		"A"		
MIN	MAX	MIN	MAX	
.027	0.33	.69	.84	A97006-101
.059	0.65	1.50	1.65	A97006-102
.090	0.96	2.29	2.44	A97006-103

Panel Mount Cut Out

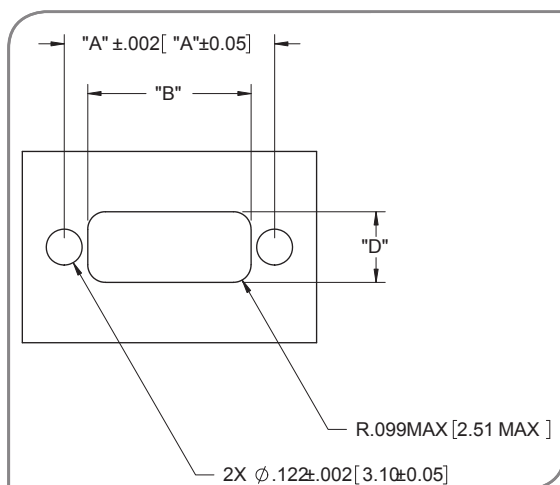


FRONT MOUNTED



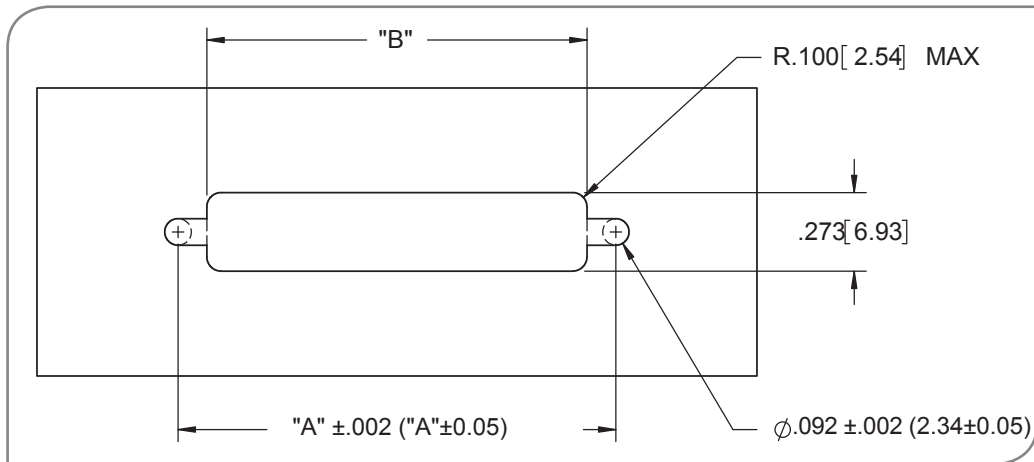
Contacts		English (IN)			Metric (mm)		
"n"	Rows	"A"	"B"	"C"	"A"	"B"	"C"
9	2	.565	.405	.275	14.35	10.29	6.99
15	2	.715	.555	.275	18.16	14.10	6.99
21	2	.865	.705	.275	21.97	17.91	6.99
25	2	.965	.805	.275	24.51	20.45	6.99
31	2	1.115	.955	.275	28.32	24.26	6.99
37	2	1.265	1.105	.275	32.13	28.07	6.99
51	2	1.615	1.455	.275	41.02	36.96	6.99
51	3	1.215	1.055	.315	30.86	26.80	8.00

REAR MOUNTED

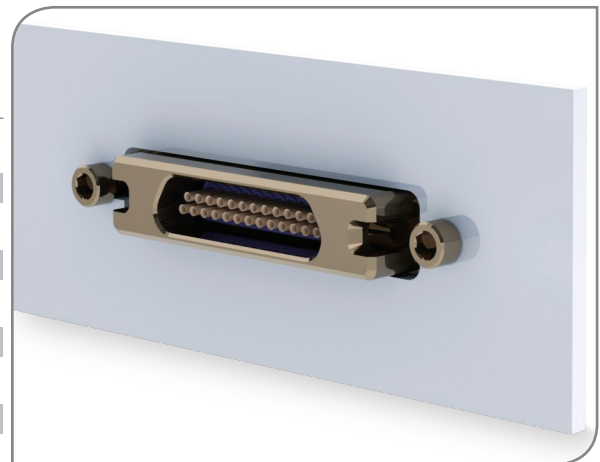


Contacts		English (IN)			Metric (mm)		
"n"	Rows	"A"	"B"	"D"	"A"	"B"	"D"
9	2	.565	.405	.255	14.35	10.29	6.48
15	2	.715	.555	.255	18.16	14.10	6.48
21	2	.865	.705	.255	21.97	17.91	6.48
25	2	.965	.805	.255	24.51	20.45	6.48
31	2	1.115	.955	.255	28.32	24.26	6.48
37	2	1.265	1.105	.255	32.13	28.07	6.48
51	2	1.615	1.455	.255	41.02	36.96	6.48
51	3	1.215	1.055	.298	30.86	26.80	7.57

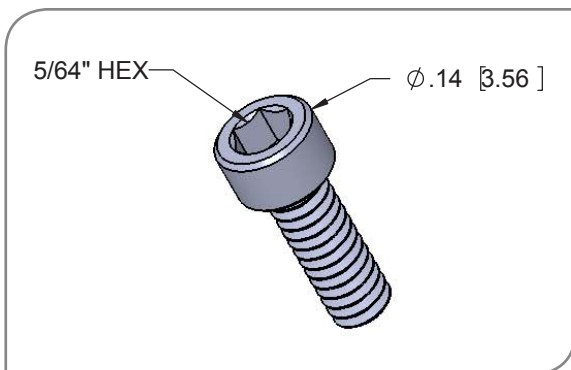
Latching Panel Mount Cut Out



Contacts		English (IN)		Metric (mm)	
"n"	Rows	"A"	"B"	"A"	"B"
9	2	1.120	.920	28.45	23.37
15	2	1.270	1.070	32.26	27.18
21	2	1.420	1.220	36.07	30.99
25	2	1.520	1.320	38.61	33.53
31	2	1.670	1.470	42.42	37.34
37	2	1.820	1.620	46.23	41.15
51	2	2.170	1.970	55.12	50.04



REAR MOUNTED (Latching Micro-D Shown)



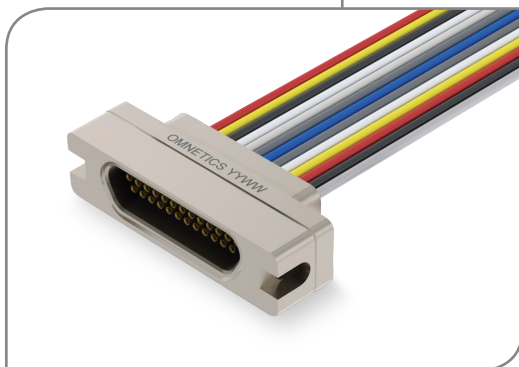
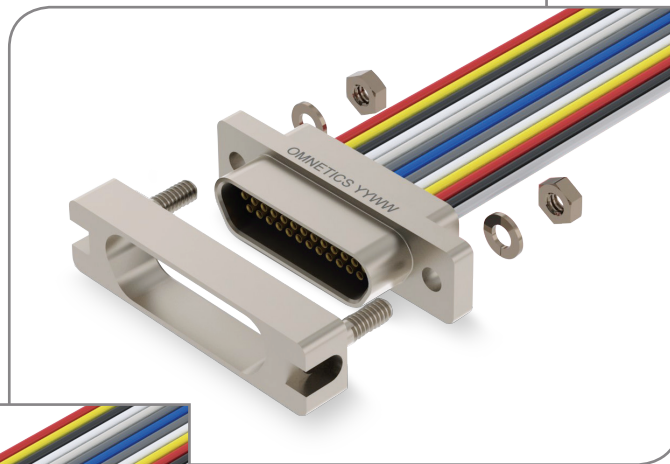
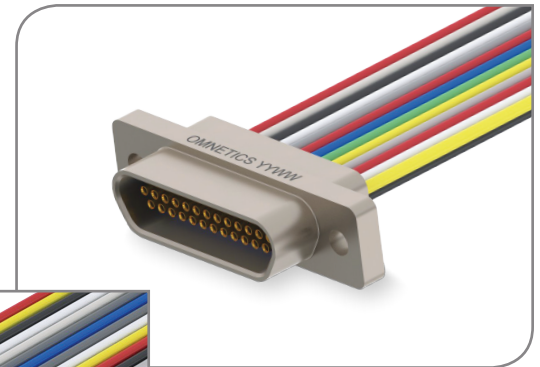
Panel Thickness		
English (IN)	Metric (mm)	Omnetics Part #
.010 - .045	0.25 - 1.14	D6292-156
.045 - .094	1.14 - 2.39	D6292-187

SCREWS SOLD INDIVIDUALLY, ORDER TWO PER CONNECTOR.

'No Tools Required' Adapter

Latching Micro-D Conversion Kit

Any Standard Micro-D connector with access to the back of the connector flange can be converted to a Latching Micro-D. With Omnetics' rugged latching systems, the need for tools is eliminated without compromising the performance expected from a Micro-D connector.



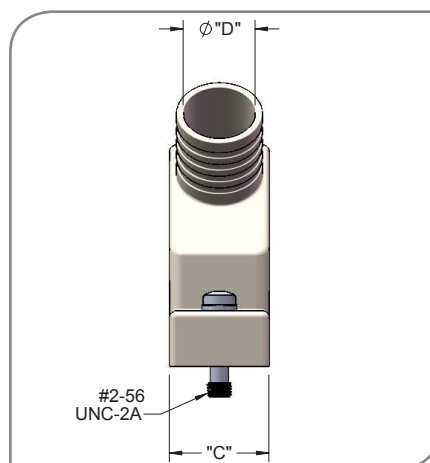
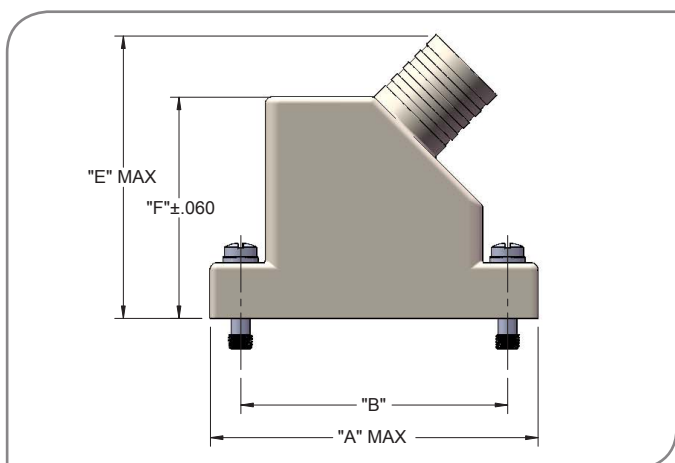
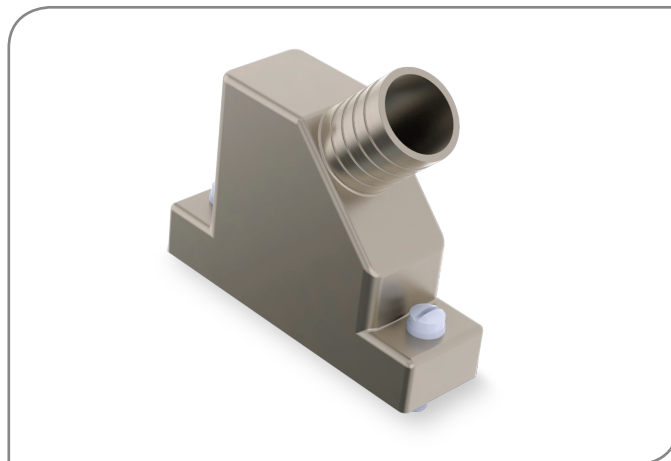
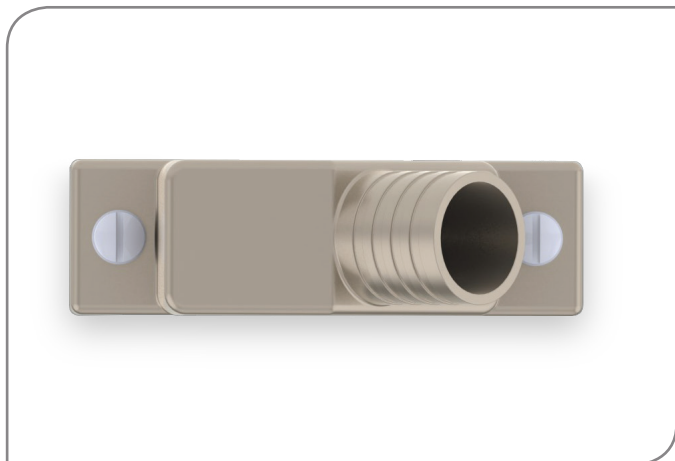
Contacts

Omnetics Part

"n"	Rows	
9	2	A99018-009
15	2	A99018-015
21	2	A99018-021
25	2	A99018-025
31	2	A99018-031
37	2	A99018-037
51	2	A99018-051

*Patent Pending

45 Degree Round Entry, Micro-D Backshell



NOTE:
 BACKSHELL MATERIAL: ALUMINUM ALLOY
 FINISH: .0007/.0010 ELECTROLESS NICKEL PER SAE
 AMS-2404 CLASS 3 OR 4 GRADE B
 HARDWARE: PASSIVATED STAINLESS STEEL,
 E-CLIPS (NOT SHOWN).

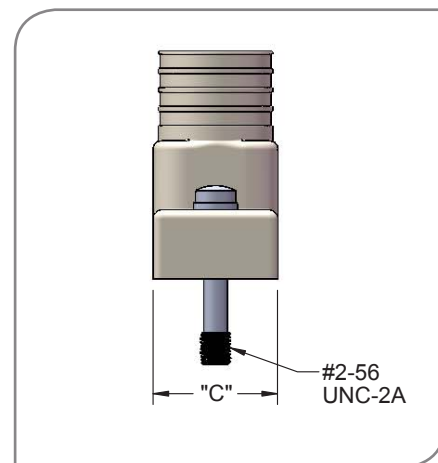
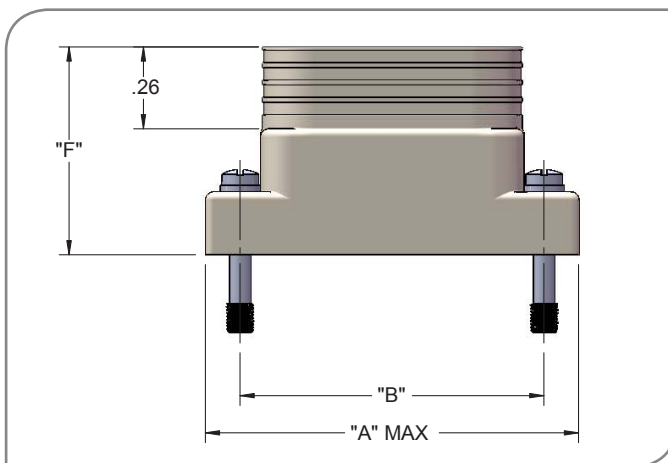
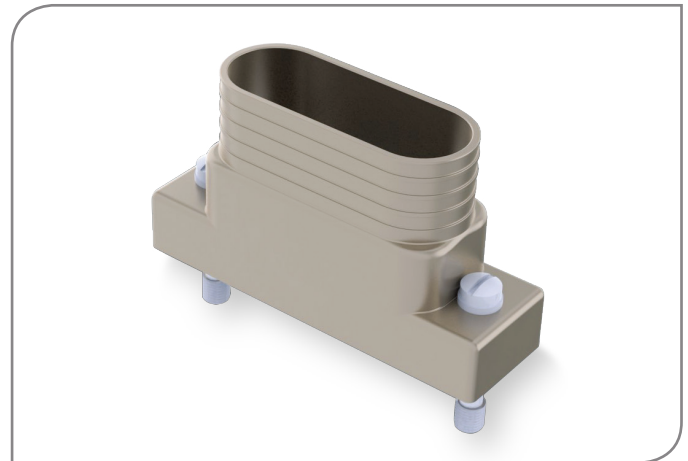
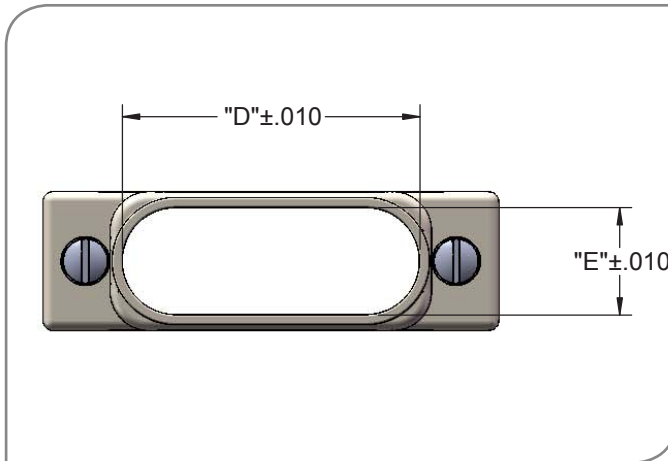
EACH KIT INCLUDES:
 BACKSHELL, TWO SCREWS AND
 TWO RETAINING CLIPS. ORDER
 ONE KIT PER CONNECTOR

Contacts			English (IN)						Metric (mm)					
Omnetics Part #	"n"	Rows	"A"	"B"	"C"	"D"	"E"	"F"	"A"	"B"	"C"	"D"	"E"	"F"
A97000-009	9	2	.785	.565	.340	.160	.875	.650	19.94	14.35	8.64	4.06	22.23	16.51
A97000-015	15	2	.935	.715	.340	.190	.925	.700	23.75	18.16	8.64	4.83	23.50	17.78
A97000-021	21	2	1.085	.865	.340	.220	.975	.735	27.56	21.97	8.64	5.59	24.77	18.67
A97000-025	25	2	1.185	.965	.360	.260	1.025	.800	30.10	24.51	9.14	6.60	26.04	20.32
A97000-031	31	2	1.335	1.115	.360	.275	1.065	.860	33.91	28.32	9.14	6.99	27.05	21.84
A97000-037	37	2	1.485	1.265	.360	.285	1.105	.925	37.72	32.13	9.14	7.24	28.07	23.50
A97000-513	51	3	1.435	1.215	.413	.350	1.187	.975	36.45	41.02	10.49	8.89	30.15	24.77

Micro-D

Hardware & Misc

Straight Oval Entry, Micro-D Backshell



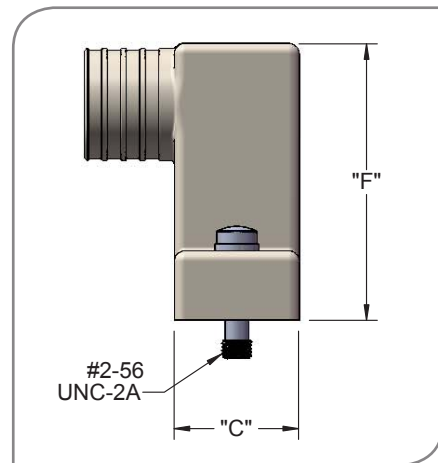
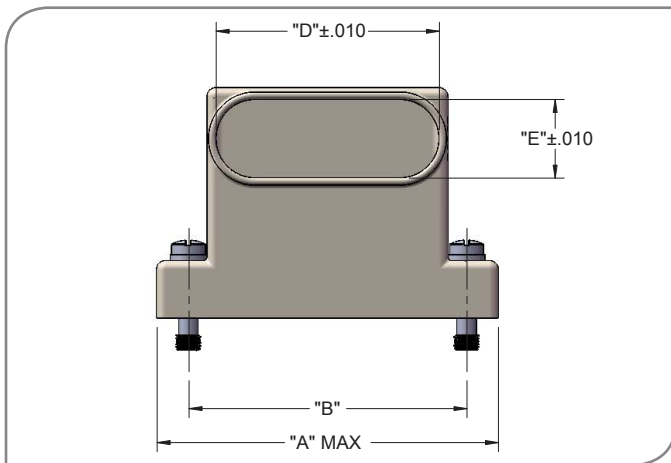
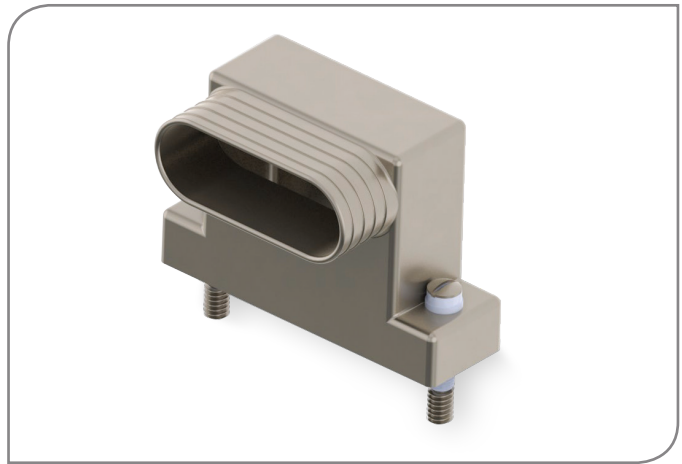
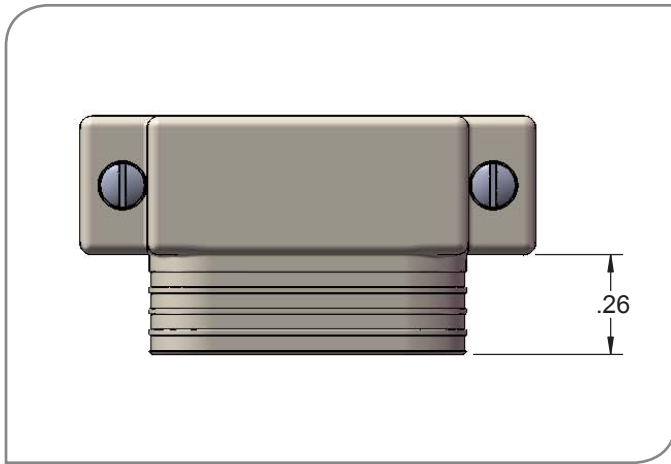
NOTE:

BACKSHELL MATERIAL: ALUMINUM ALLOY
 FINISH: .0007/.0010 ELECTROLESS NICKEL PER SAE
 AMS-2404 CLASS 3 OR 4 GRADE B
 HARDWARE: PASSIVATED STAINLESS STEEL,
 E-CLIPS (NOT SHOWN).

EACH KIT INCLUDES:
 BACKSHELL, TWO SCREWS AND
 TWO RETAINING CLIPS. ORDER
 ONE KIT PER CONNECTOR

		Contacts						English (IN)							Metric (mm)			
Omnetics		"n"	Rows	"A"	"B"	"C"	"D"	"E"	"F"	"A"	"B"	"C"	"D"	"E"	"F"			
A97001-009	9	2	.785	.565	.340	.375	.273	.660	19.94	14.35	8.64	9.53	6.93	16.76				
A97001-015	15	2	.935	.715	.340	.525	.273	.660	23.75	18.16	8.64	13.34	6.93	16.76				
A97001-021	21	2	1.085	.865	.340	.675	.273	.660	27.56	21.97	8.64	17.15	6.93	16.76				
A97001-025	25	2	1.185	.965	.360	.775	.273	.660	30.10	24.51	9.14	19.69	6.93	16.76				
A97001-031	31	2	1.335	1.115	.360	.925	.273	.660	33.91	28.32	9.14	23.50	6.93	16.76				
A97001-037	37	2	1.485	1.265	.360	1.075	.273	.660	37.72	32.13	9.14	27.31	6.93	16.76				
A97001-513	51	3	1.435	1.215	.380	1.025	.313	.880	36.45	30.86	10.49	26.04	7.95	22.35				

90 Degree Oval Entry, Micro-D Backshell



NOTE:
 BACKSHELL MATERIAL: ALUMINUM ALLOY
 FINISH: .0007/.0010 ELECTROLESS NICKEL PER SAE
 AMS-2404 CLASS 3 OR 4 GRADE B
 HARDWARE: PASSIVATED STAINLESS STEEL,
 E-CLIPS (NOT SHOWN).

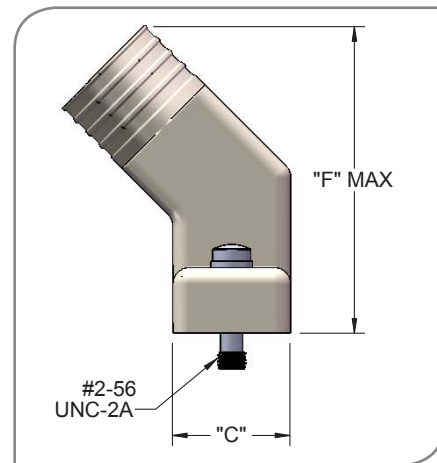
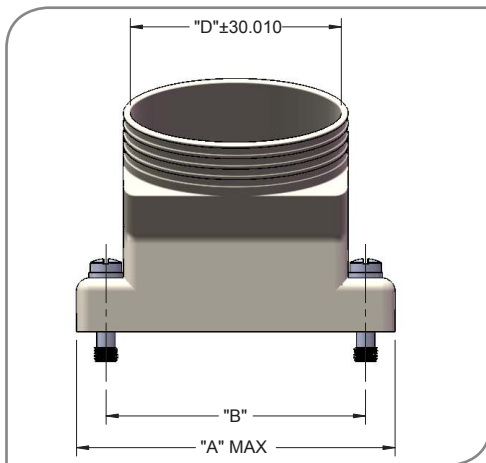
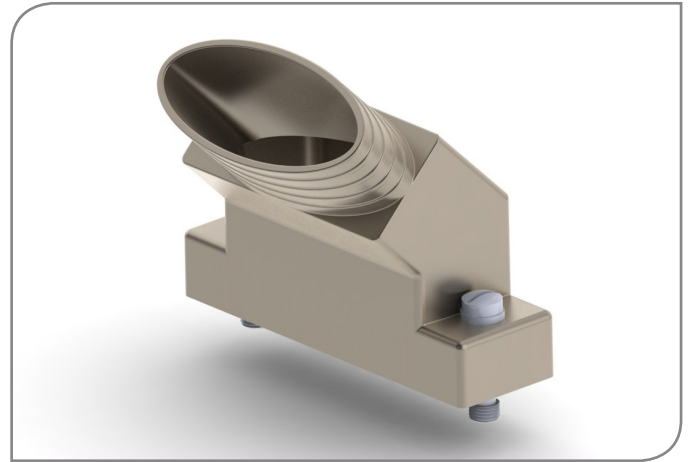
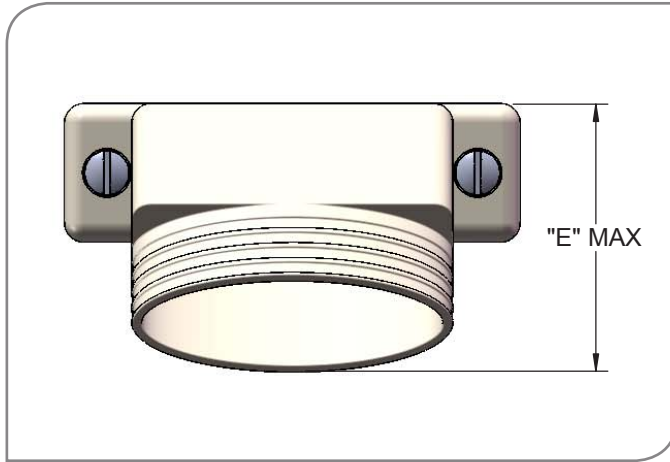
EACH KIT INCLUDES:
 BACKSHELL, TWO SCREWS AND
 TWO RETAINING CLIPS. ORDER
 ONE KIT PER CONNECTOR

	Contacts		English (IN)						Metric (mm)					
Omnetics Part #	"n" Rows		"A"	"B"	"C"	"D"	"E"	"F"	"A"	"B"	"C"	"D"	"E"	"F"
A97002-009	9	2	.785	.565	.340	.375	.273	.80	19.94	14.35	8.64	9.53	6.93	20.32
A97002-015	15	2	.935	.715	.340	.525	.273	.80	23.75	18.16	8.64	13.34	6.93	20.32
A97002-021	21	2	1.085	.865	.340	.675	.273	.80	27.56	21.97	8.64	17.15	6.93	20.32
A97002-025	25	2	1.185	.965	.360	.775	.273	.80	30.10	24.51	9.14	19.69	6.93	20.32
A97002-031	31	2	1.335	1.115	.360	.925	.273	.80	33.91	28.32	9.14	23.50	6.93	20.32
A97002-037	37	2	1.485	1.265	.360	1.075	.273	.80	37.72	32.13	9.14	27.31	6.93	20.32
A97002-513	51	3	1.435	1.215	.400	1.025	.313	1.00	36.45	30.86	10.16	26.04	7.95	25.40

Micro-D

Hardware & Misc

45 Degree Elliptical Entry, Micro-D Backshell



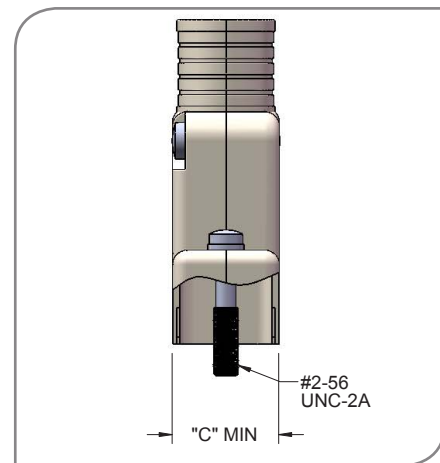
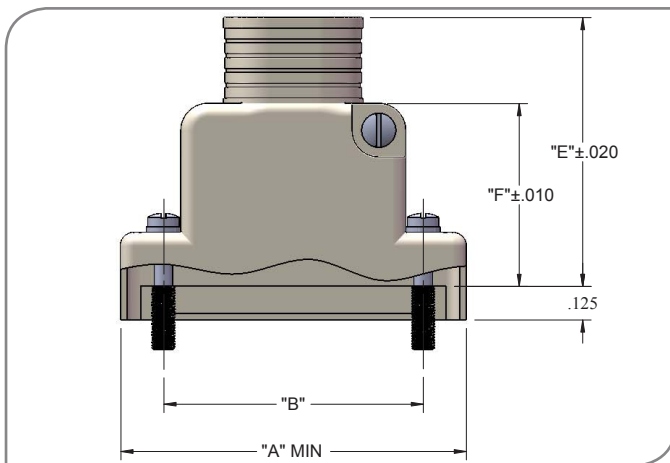
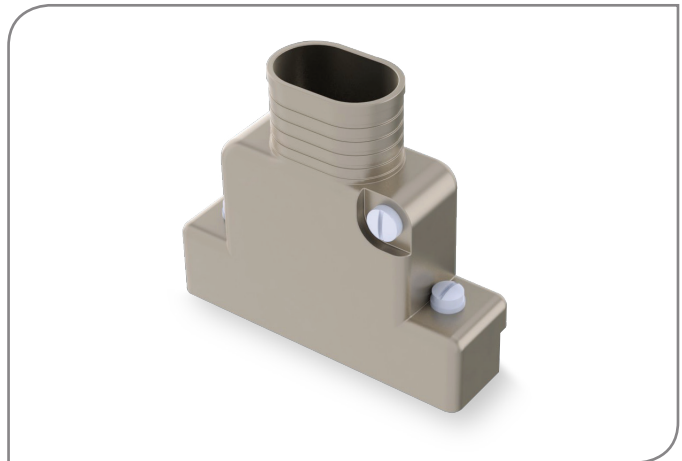
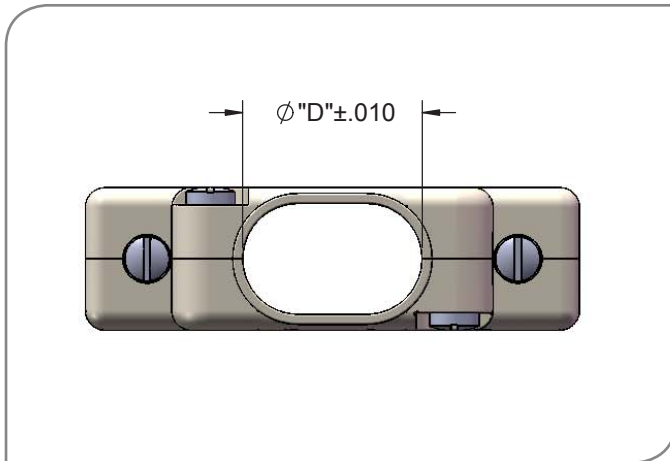
NOTE:

BACKSHELL MATERIAL: ALUMINUM ALLOY
 FINISH: .0007/.0010 ELECTROLESS NICKEL PER SAE
 AMS-2404 CLASS 3 OR 4 GRADE B
 HARDWARE: PASSIVATED STAINLESS STEEL,
 E-CLIPS (NOT SHOWN).

EACH KIT INCLUDES:
 BACKSHELL, TWO SCREWS AND
 TWO RETAINING CLIPS. ORDER
 ONE KIT PER CONNECTOR

	Contacts		English (IN)						Metric (mm)					
Omnetics Part #	"n"	Rows	"A"	"B"	"C"	"D"	"E"	"F"	"A"	"B"	"C"	"D"	"E"	"F"
A97003-009	9	2	.785	.565	.340	.344	.673	.851	19.94	14.35	8.64	8.74	17.09	21.62
A97003-015	15	2	.935	.715	.340	.494	.673	.876	23.75	18.16	8.64	12.55	17.09	22.25
A97003-021	21	2	1.085	.865	.340	.644	.673	.901	27.56	21.97	8.64	16.36	17.09	22.89
A97003-025	25	2	1.185	.965	.360	.744	.700	.943	30.10	24.51	9.14	18.19	17.78	23.95
A97003-031	31	2	1.335	1.115	.360	.894	.700	.963	33.91	28.32	9.14	22.71	17.78	24.46
A97003-037	37	2	1.485	1.265	.360	.994	.700	.983	37.72	32.13	9.14	25.25	17.78	24.97
A97003-513	51	3	1.435	1.215	.400	1.044	.755	1.058	36.45	30.86	10.16	26.52	19.18	26.87

Straight Elliptical Entry, Split Micro-D Backshell

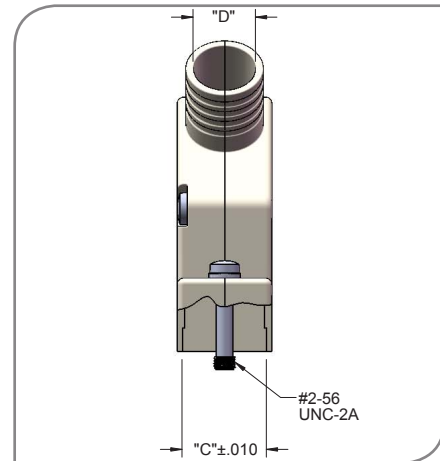
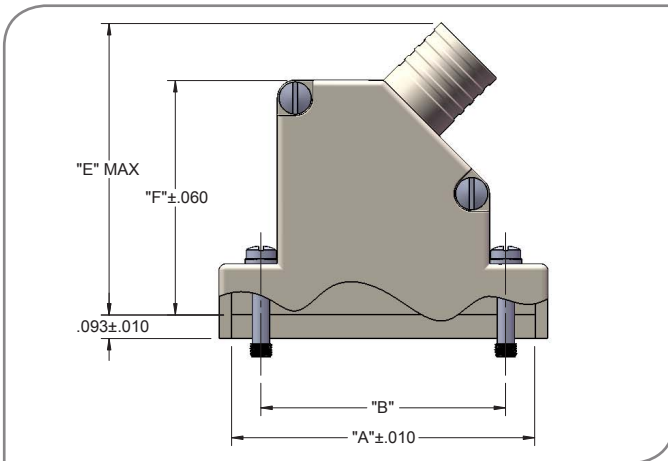
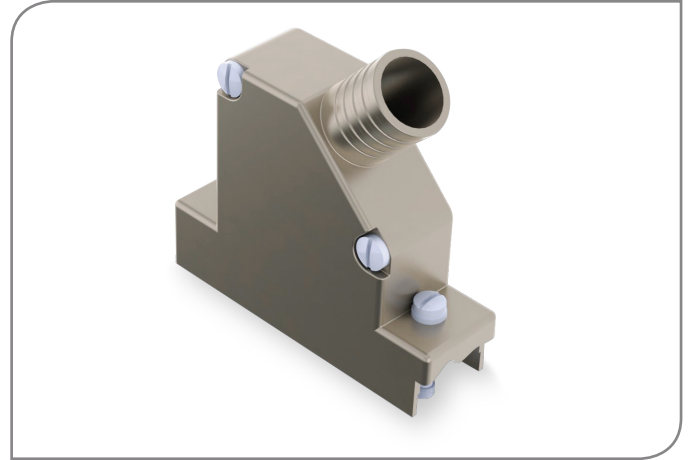
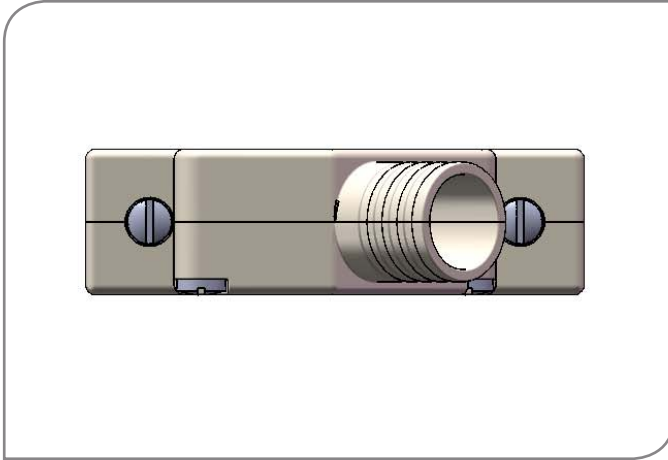


NOTE:
 BACKSHELL MATERIAL: ALUMINUM ALLOY
 FINISH: .0007/.0010 ELECTROLESS NICKEL PER SAE
 AMS-2404 CLASS 3 OR 4 GRADE B
 HARDWARE: PASSIVATED STAINLESS STEEL,
 E-CLIPS (NOT SHOWN).

EACH KIT INCLUDES:
 BACKSHELL, TWO SCREWS AND
 TWO RETAINING CLIPS. ORDER
 ONE KIT PER CONNECTOR

Contacts			English (IN)						Metric (mm)					
Part #	"n"	Rows	"A"	"B"	"C"	"D"	"E"	"F"	"A"	"B"	"C"	"D"	"E"	"F"
Omnetics														
A97004-021	21	2	1.185	.865	.370	.368	.950	.630	30.10	21.97	9.40	9.35	24.13	16.00
A97004-025	25	2	1.285	.965	.370	.468	1.000	.680	32.64	24.51	9.40	11.89	25.40	17.27
A97004-031	31	2	1.435	1.115	.370	.618	1.040	.720	36.45	28.32	9.40	15.70	26.42	18.29
A97004-037	37	2	1.585	1.265	.370	.718	1.080	.760	40.26	32.13	9.40	18.24	27.43	19.30
A97004-513	51	3	1.535	1.215	.410	.768	1.160	.840	38.99	30.86	10.41	19.51	29.46	21.34

45 Degree Round Entry, Split Micro-D Backshell



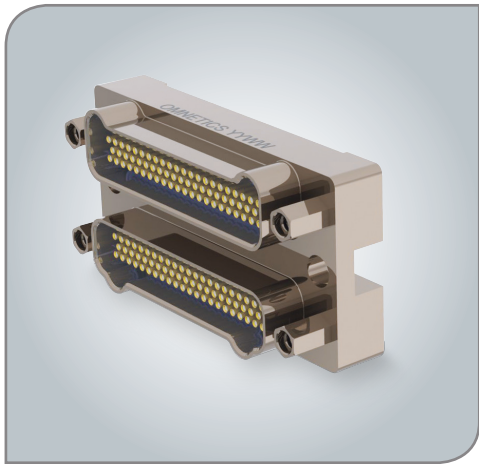
NOTE:

BACKSHELL MATERIAL: ALUMINUM ALLOY
 FINISH: .0007/.0010 ELECTROLESS NICKEL PER SAE
 AMS-2404 CLASS 3 OR 4 GRADE B
 HARDWARE: PASSIVATED STAINLESS STEEL,
 E-CLIPS (NOT SHOWN).

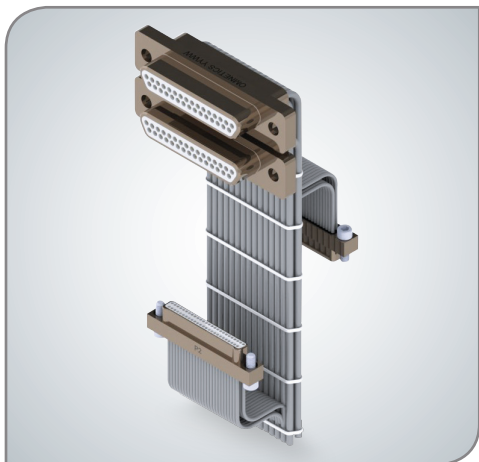
EACH KIT INCLUDES: TWO
 BACKSHELL HALVES, TWO ASSEMBLY
 SCREWS, TWO JACKSCREWS AND TWO
 RETAINING CLIPS. ORDER ONE KIT
 PER CONNECTOR

	Contacts		English (IN)						Metric (mm)					
Omnetics Part #	"n"	Rows	"A"	"B"	"C"	"D"	"E"	"F"	"A"	"B"	"C"	"D"	"E"	"F"
A97005-009	9	2	.796	.565	.318	.160	1.000	.775	20.22	14.35	8.08	4.06	25.40	19.69
A97005-015	15	2	.946	.715	.318	.190	1.050	.825	24.03	18.16	8.08	4.83	26.67	20.96
A97005-021	21	2	1.096	.865	.318	.220	1.100	.860	27.84	21.97	8.08	5.59	27.94	21.84
A97005-025	25	2	1.196	.965	.318	.260	1.150	.925	30.38	24.51	8.08	6.60	29.21	23.50
A97005-031	31	2	1.346	1.115	.318	.275	1.190	.985	34.19	28.32	8.08	6.99	30.23	25.02
A97005-037	37	2	1.496	1.265	.318	.285	1.230	1.050	38.00	32.13	8.08	7.24	31.24	26.67
A97005-513	51	3	1.446	1.215	.361	.350	1.312	1.100	36.73	30.86	9.17	8.89	33.32	27.94

Didn't Find What You Were Looking For?



OMNETICS PROVIDES A WIDE RANGE OF CAPABILITIES TO DESIGN AND CREATE CONNECTORS THAT FIT YOUR INDIVIDUAL NEEDS.



CUSTOM HOUSINGS
MULTI-BODY
SPECIAL MOUNTING
SEALING
CUSTOM JUMPERS
MICRO-D TO ANY
STYLE CONNECTOR
MULTI-CONNECTOR
HARNESSING



CUSTOM BACKSHELLS

CUSTOM OVERMOLDS

