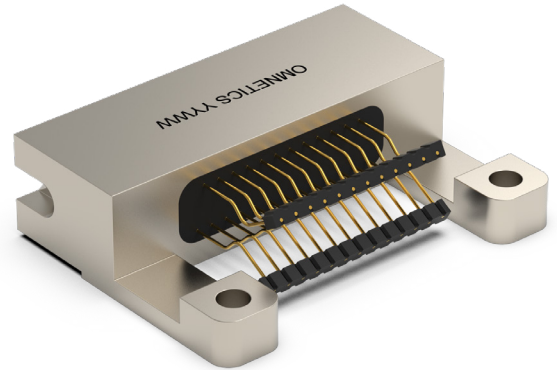
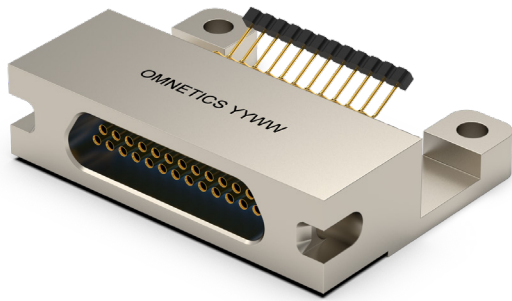
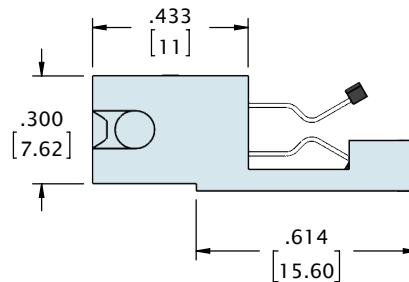
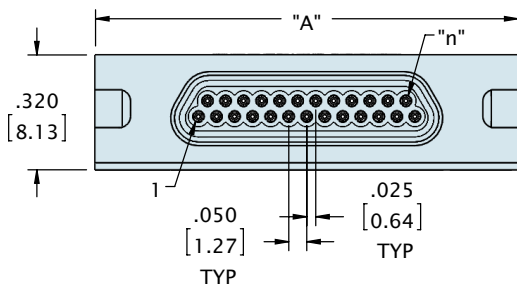
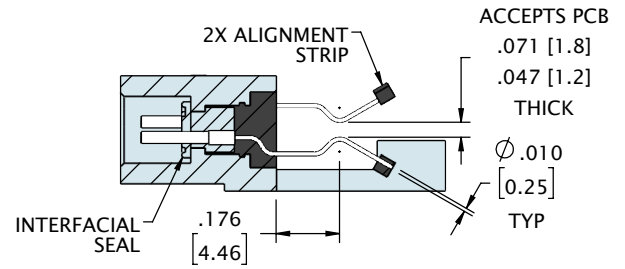
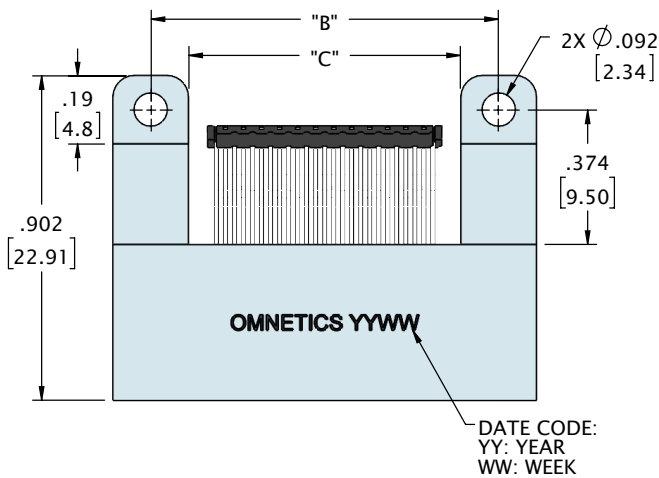


LATCHING MICRO-D CARD EDGE SURFACE MOUNT (TYPE CO)



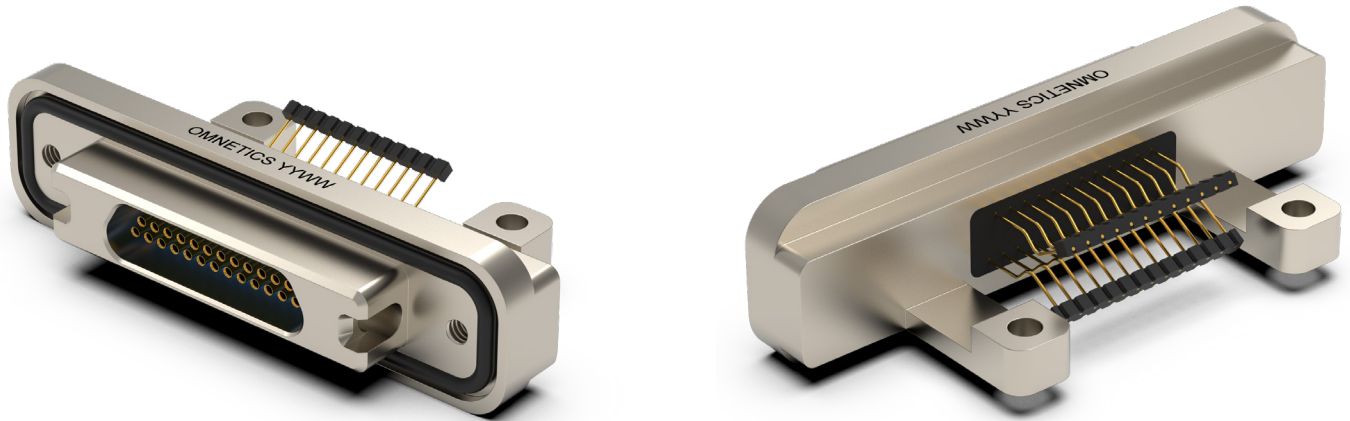
See page 157 for recommended board layout



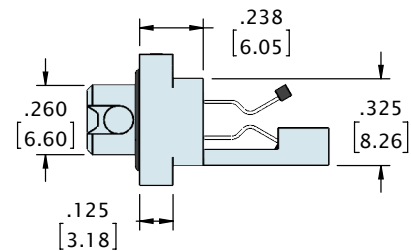
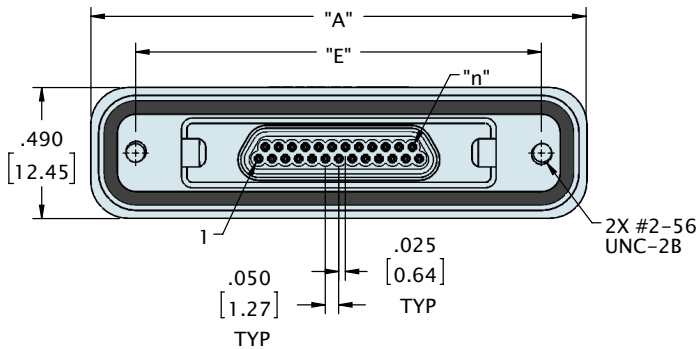
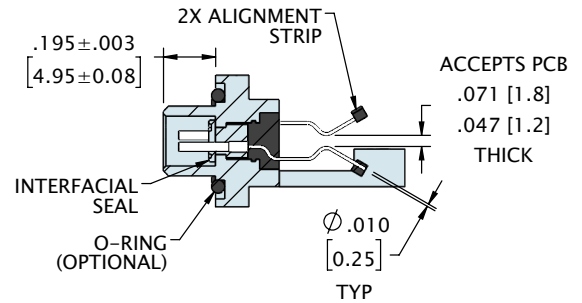
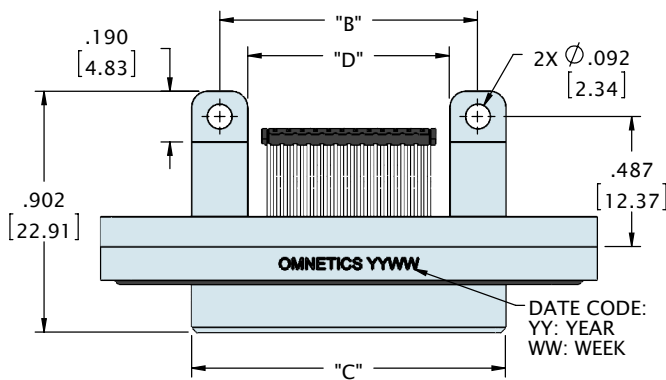
| CONTACTS | ROWS | "A" | "B" | "C" |
|----------|------|---------------|---------------|---------------|
| 9 | 2 | .775 [19.69] | .565 [14.35] | .355 [9.02] |
| 15 | 2 | .925 [23.50] | .715 [18.16] | .505 [12.83] |
| 21 | 2 | 1.075 [27.31] | .865 [21.97] | .655 [16.64] |
| 25 | 2 | 1.175 [29.85] | .965 [24.51] | .755 [19.18] |
| 31 | 2 | 1.325 [33.66] | 1.115 [28.32] | .905 [22.99] |
| 37 | 2 | 1.475 [37.47] | 1.265 [32.13] | 1.055 [26.80] |
| 51 | 2 | 1.825 [46.36] | 1.615 [41.02] | 1.405 [35.69] |

DIMENSIONS IN [] ARE IN MILLIMETERS AND ARE FOR REFERENCE ONLY

LATCHING MICRO-D CARD EDGE SURFACE MOUNT (TYPE CO)



See page 157 for recommended board layout



| CONTACTS | ROWS | "A" | "B" | "C" | "D" | "E" |
|----------|------|---------------|---------------|---------------|---------------|---------------|
| 9 | 2 | 1.455 [36.96] | .565 [14.35] | .775 [19.69] | .355 [9.02] | 1.230 [31.24] |
| 15 | 2 | 1.605 [40.77] | .715 [18.16] | .925 [23.50] | .505 [12.83] | 1.380 [35.05] |
| 21 | 2 | 1.755 [44.58] | .865 [21.97] | 1.075 [27.31] | .655 [16.64] | 1.530 [38.86] |
| 25 | 2 | 1.855 [47.12] | .965 [24.51] | 1.175 [29.85] | .755 [19.18] | 1.630 [41.40] |
| 31 | 2 | 2.005 [50.93] | 1.115 [28.32] | 1.325 [33.66] | .905 [22.99] | 1.780 [45.21] |
| 37 | 2 | 2.155 [54.74] | 1.265 [32.13] | 1.475 [37.47] | 1.055 [26.80] | 1.930 [49.02] |
| 51 | 2 | 2.505 [63.63] | 1.615 [41.02] | 1.825 [46.36] | 1.405 [35.69] | 2.280 [57.91] |

DIMENSIONS IN [] ARE IN MILLIMETERS AND ARE FOR REFERENCE ONLY