

MATERIALS & SPECIFICATIONS

HOUSING: ALUMINUM 6061-T6, NICKEL PLATE
PER AMS-C-26074

INSULATOR: LIQUID CRYSTAL POLYMER (LCP)
PER ASTM D5138

CONTACT: BERYLLIUM COPPER PER ASTM B194,
C17200. GOLD PLATED PER
ASTM B488, (HARD GOLD) TYPE II
CODE C, CLASS 1.27

WIRE: NEMA HP3 TYPE ET, COLOR CODED IAW MIL-STD-681,
SYSTEM 1, USING TEN SOLID REPEATING COLORS

HARDWARE: 303 STAINLESS STEEL PER ASTM 582

CURRENT RATING 1 AMP MAX PER MIL-DTL-32139

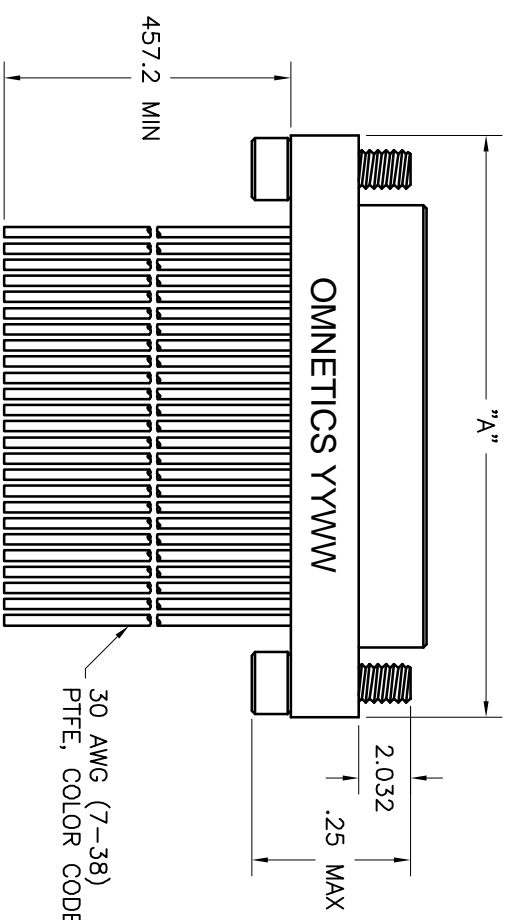
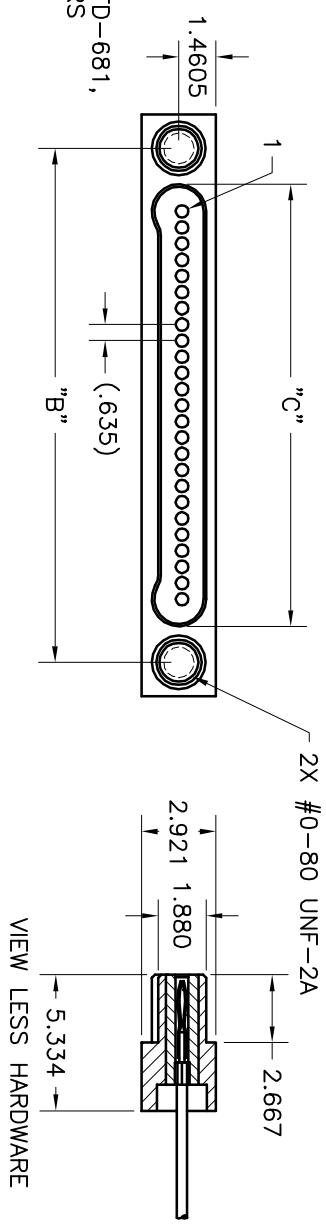
CONTACT RESISTANCE 25 MILLIOHM MAX

PERFORMANCE: PRODUCT FAMILY TESTED TO
AND PASSED THE PERFORMANCE
SPECIFICATIONS OF TABLE VIII
OF MIL-DTL-32139

METRIC

PART NO.	CONTACTS	"A"	"B"	"C"
AS4000-005	5	10.16	7.49	4.67
AS4000-009	9	12.70	10.03	7.21
AS4000-015	15	16.51	13.84	11.02
AS4000-021	21	20.32	17.65	14.83
AS4000-025	25	22.86	20.19	17.37
AS4000-031	31	26.67	24.00	21.18
AS4000-037	37	30.48	27.81	24.99
AS4000-051	51	39.37	36.70	33.88

(SHOWN)



PIN	COLOR
1, 11, 21	BLACK
2, 12, 22	BROWN
3, 13, 23	RED
4, 14, 24	ORANGE
5, 15, 25	YELLOW
6, 16	GREEN
7, 17	BLUE
8, 18	VIOLET
9, 19	GRAY
10, 20	WHITE

MATERIALS		PART NO.		REV	ECO	DATE	APP
DIMENSIONS IN INCHES		UNLESS OTHERWISE NOTED		C	94526	06-21-07	TLM
-TOLERANCES-		OMNETICS CONNECTOR CORPORATION		TITLE:			
2 PL DEC ± .01	3 PL DEC ± .005	DFTM. TLM	DATE	(XX) PIN MALE			
4 PL DEC ±	PL DEC ±	CHK'D.	DATE	BI-LOBE CONNECTOR			
ANGLES ±	±	APP'D.	DATE	BI-LOBE CONNECTOR			
CAGE CODE 61873		DWG NO. A54000-0XX		SHEET 1 OF 1		REV C	